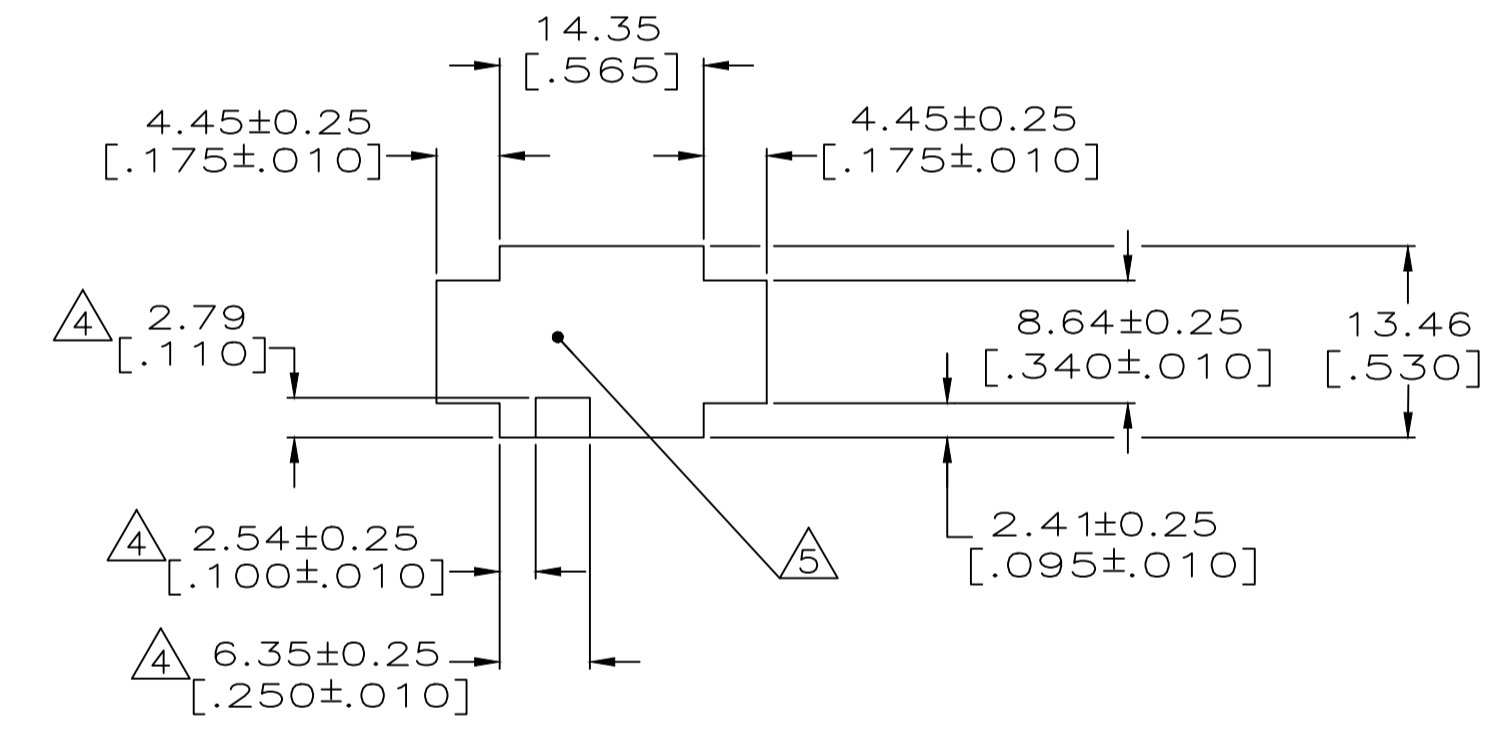
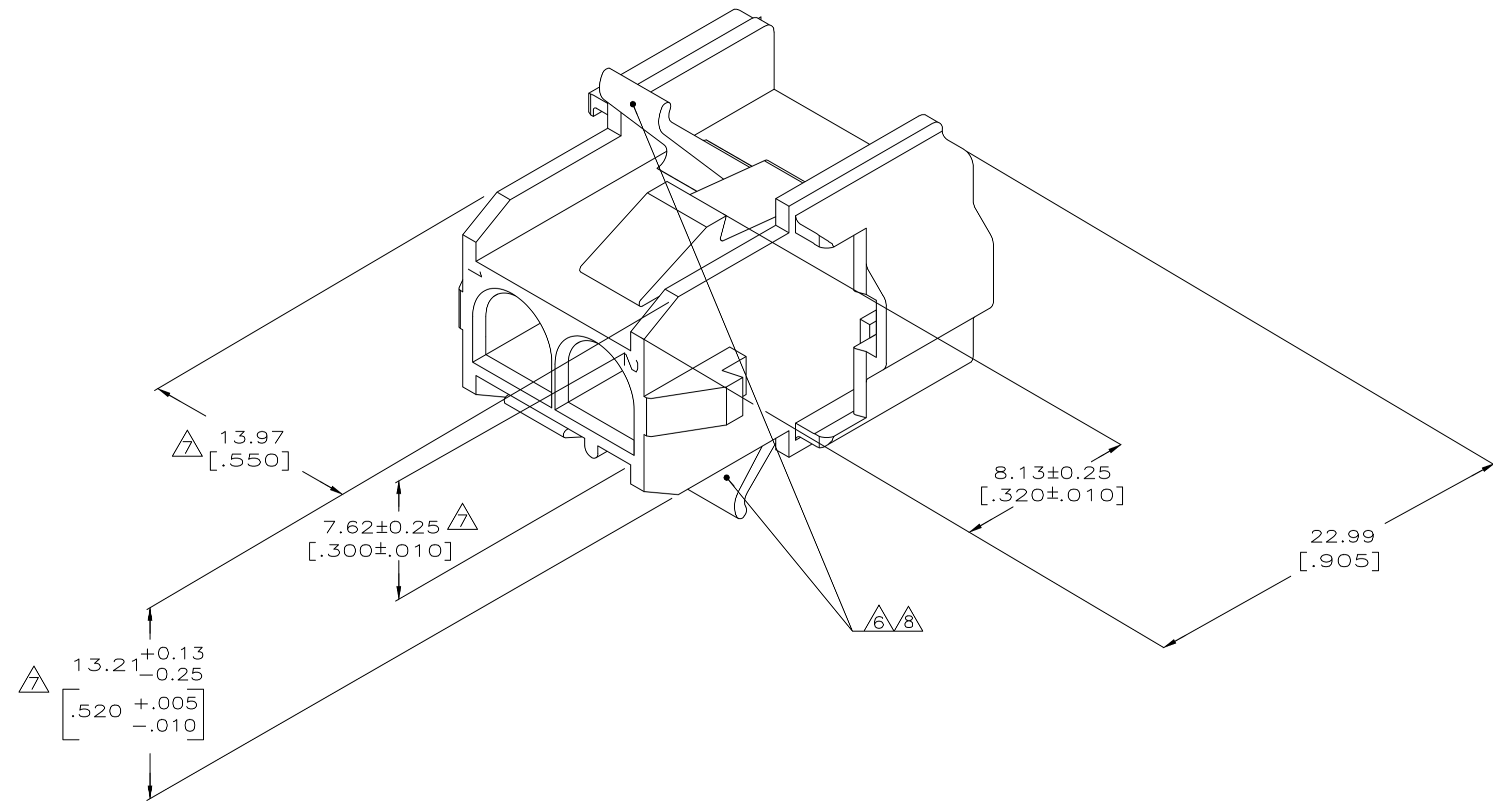


THIS DRAWING IS UNPUBLISHED. RELEASED FOR PUBLICATION  
 © COPYRIGHT - TE Connectivity ALL RIGHTS RESERVED.

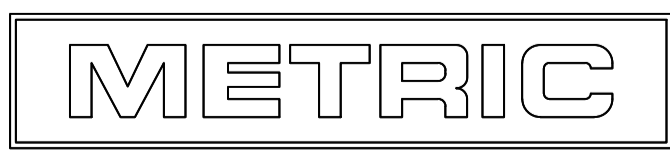
REVISIONS					
P	LR	DESCRIPTION	DATE	OWN	APP
F1		REV. ECO 17-011267	11SEP2017	HC	KR

1. MUST BE ASSEMBLED WITH CAP REAR P/N 770046-1 BEFORE MATING. KIT P/N IS 770024-1.
- △ RECOMMENDED PANEL THICKNESS 0.76-2.29 [.030-.090].
- △ PANEL MUST BE PUNCHED SO THAT THE HOUSING ENTERS THE PANEL IN THE SAME DIRECTION AS THE PUNCH.
- △ OPTIONAL FOR KEYING HOUSING IN PANEL.
- △ CIRCUIT NUMBER 1 LOCATION.
- △ AMP LOGO LOCATED ONCE ON ANY INDICATED SURFACE FAR SIDE.
- △ DIMENSION INDICATED IS AS MOLDED. ADDITIONAL GROWTH DUE TO SUBSEQUENT MOISTURE ABSORPTION MAY OCCUR.
- △ CSA LOGO LOCATED ONCE ON ANY INDICATED SURFACE



RECOMMENDED PANEL CUTOUT  
 (HOUSING ENTRY SIDE)  
 SCALE 2:1  
 △ △

770045-1  
 PART NUMBER



THIS DRAWING IS A CONTROLLED DOCUMENT.		DWN K. SALMON 1-15-92	TE Connectivity	
DIMENSIONS: INCHES		CHK R. SWING 1-15-92	CAP FRONT, 2 CIRCUIT, UNIVERSAL MATE-N-LOK™ II	
TOLERANCES UNLESS OTHERWISE SPECIFIED:		APPD M. TRULL 1-16-92	SIZE   CAGE CODE   DRAWING NO	
0 PLC ± -	1 PLC ± -	NAME	A1 00779 C=770045	
2 PLC ± -	3 PLC ± 0.13 [.005]	APPLICATION SPEC	RESTRICTED TO	
4 PLC ± -	ANGLES ± -	WEIGHT	CUSTOMER DRAWING	
MATERIAL NYLON,UL94V-0,	FINISH -	1	SCALE 5:1	SHEET 1 OF 1
		REV F1		

单击下面可查看定价，库存，交付和生命周期等信息

[>>TE Connectivity\(泰科\)](#)