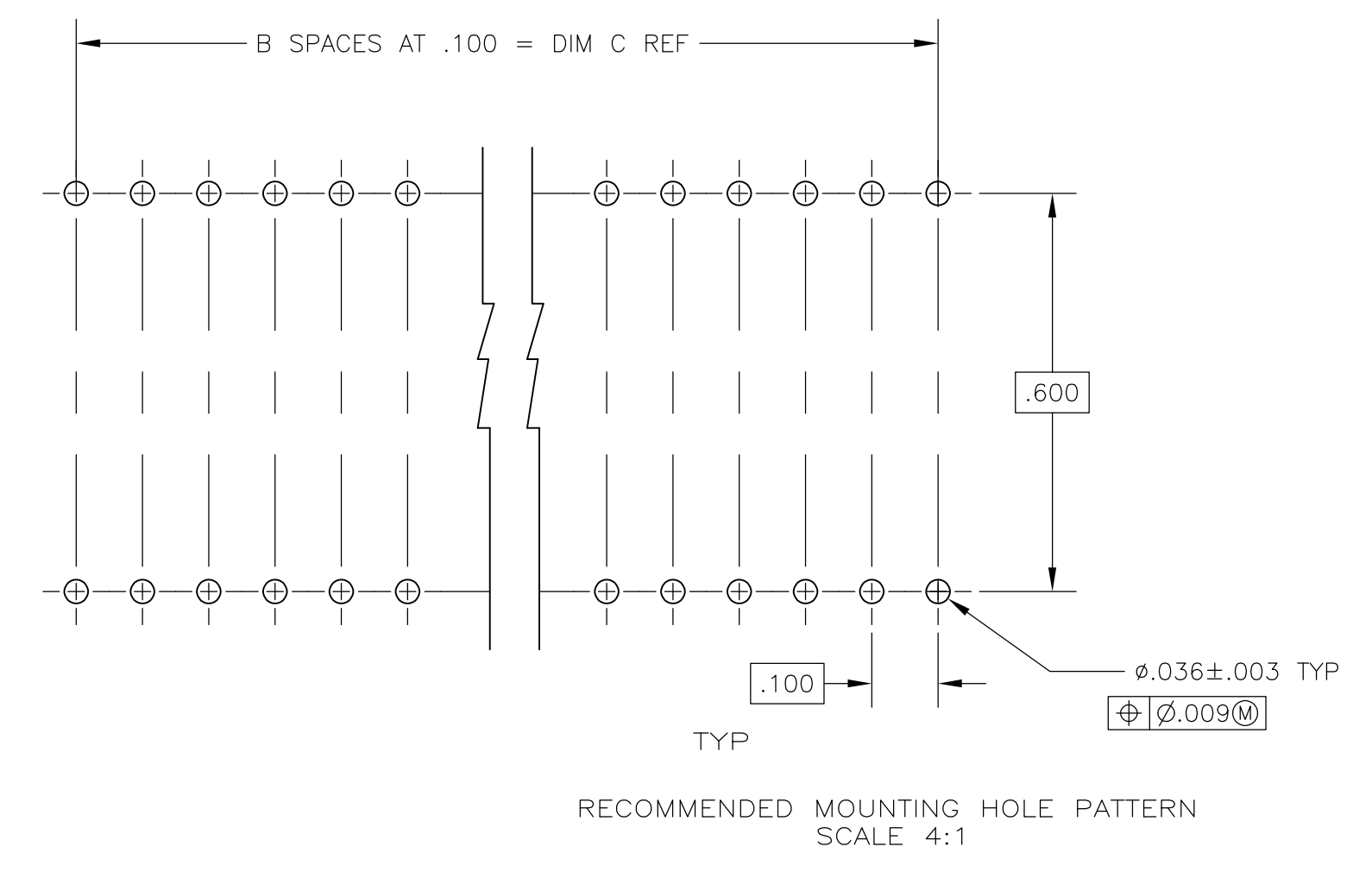


SECTION A-A  
SCALE 10:1

1. RECEPTACLE ACCEPTS A .008-.014 THICK I.C. LEAD.
2. TUBE LOADED FOR AUTOMATIC INSERTION.
3. BECU CONTACT-PLATED WITH TWO .000030 MIN THK. GOLD STRIPES IN CONTACT AREA WITH TIN ON CONTACT LEGS, BALANCE OF CONTACT NICKEL PLATED.
4. PHOS BRONZE CONTACT-PLATED TWO .000015 MIN THK. GOLD STRIPES IN CONTACT AREA WITH TIN ON CONTACT LEGS, BALANCE OF CONTACT NICKEL PLATED.
5. MAXIMUM DIMENSION FOR I.C. SEATING PLANE.
6. HOUSING MATERIAL- GLASS FILLED THERMOPLASTIC, BLACK, 94V-0



	CALLOUT	DIM C	B SPCS	DIM A	POSITION	PART NO.
	3	1.900	19	1.995	40	1-1825108-3
	3	1.300	13	1.395	28	1-1825108-2
(B) OBSOLETE	3	1.100	11	1.195	24	1-1825108-1
	4	1.900	19	1.995	40	1825108-3
	4	1.300	13	1.395	28	1825108-2
(B) OBSOLETE	4	1.100	11	1.195	24	1825108-1

THIS DRAWING IS A CONTROLLED DOCUMENT.

DIMENSIONS: INCHES	TOLERANCES UNLESS OTHERWISE SPECIFIED:	DIN 9137	21APR2005	<b>tyco</b> Electronics	Tyco Electronics Corporation Harrisburg, Pa 17105-3608
0. PLC ± -	1. PLC ± -	CHK K.WRIGHT	NAME	PRODUCT SPEC	DIP SOCKET ASSY, CLOSED, DIPLOMATE, .600 CL, LEAD FREE
2. PLC ± -	3. PLC ± -	APVD	SIZE	APPLICATION SPEC	RESTRICTED TO
4. PLC ± -	ANGLES ± -	WEIGHT	A1	SCALE 5:1	1 OF 1
MATERIAL	FINISH	CUSTOMER DRAWING	000779	1825108	REV B

单击下面可查看定价，库存，交付和生命周期等信息

[>>TE Connectivity\(泰科\)](#)