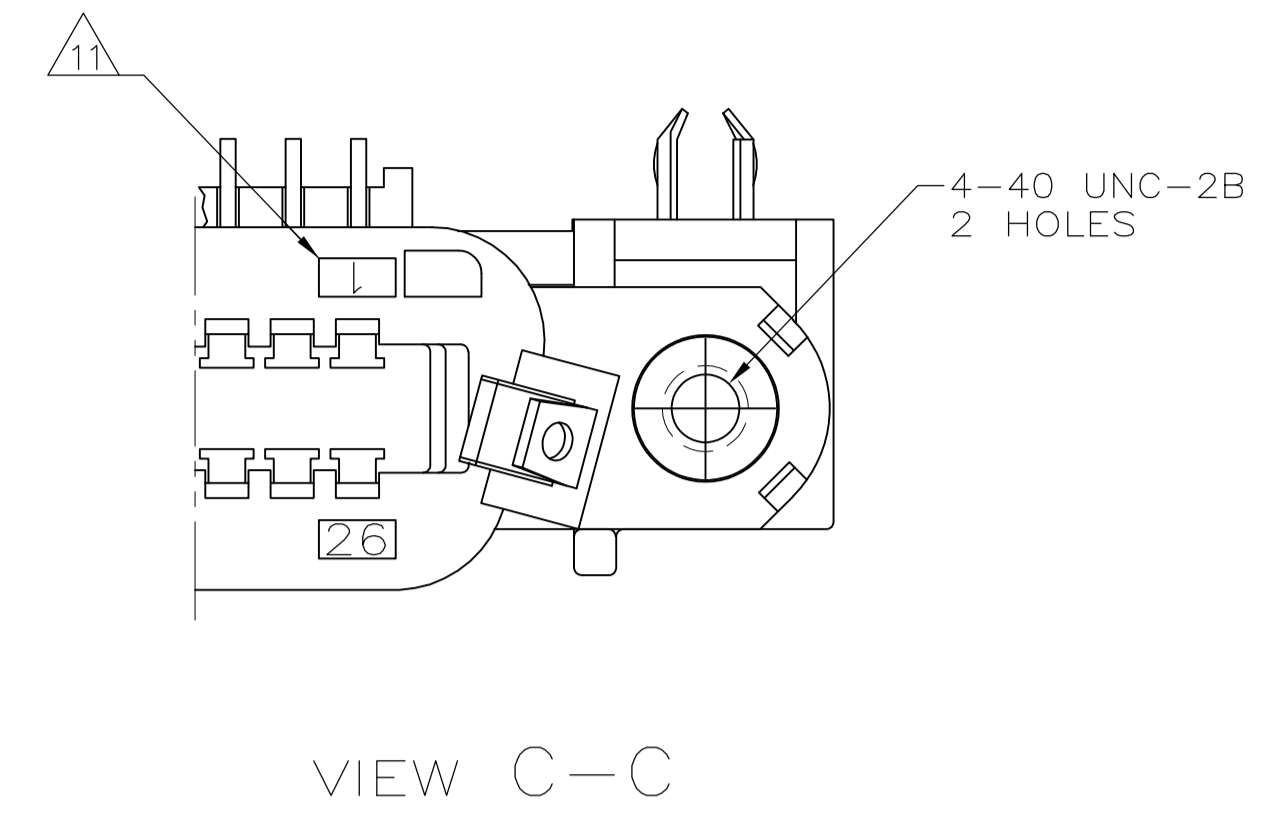
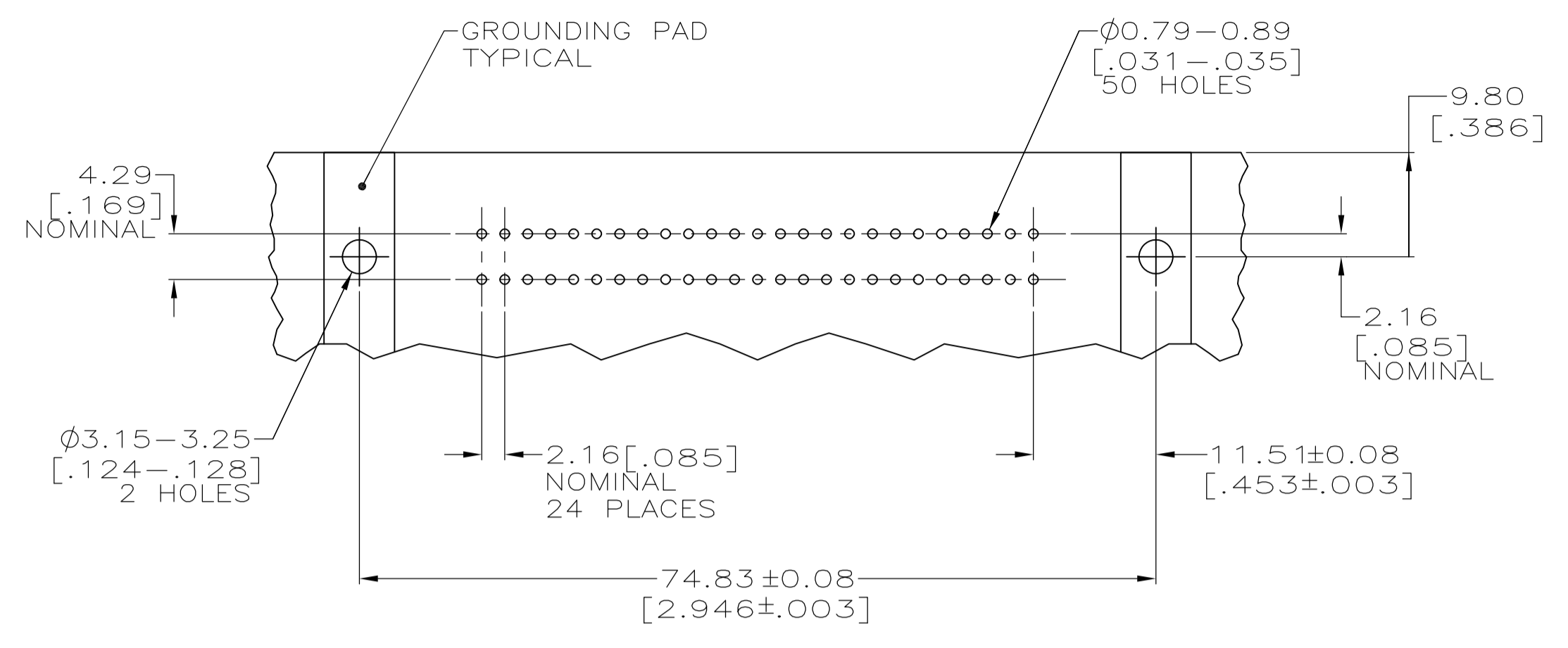
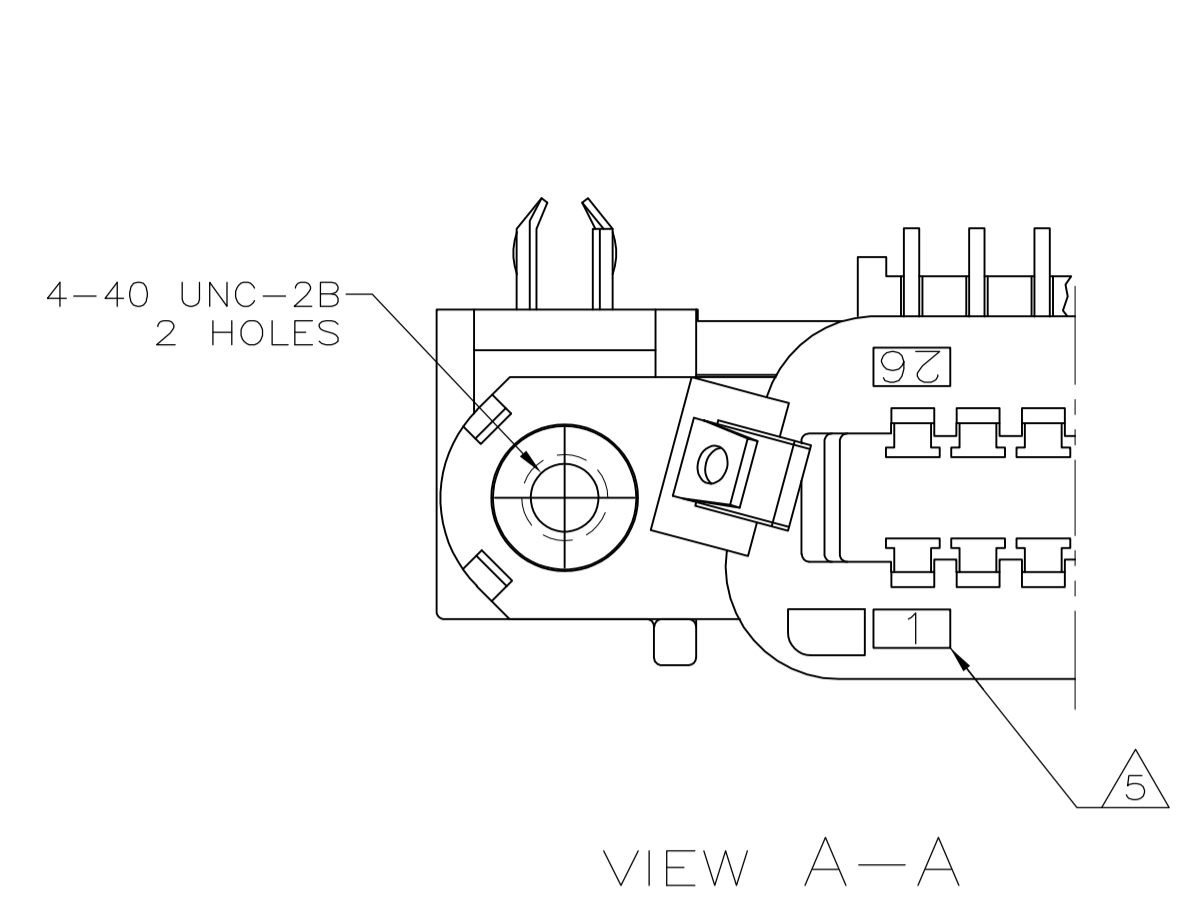
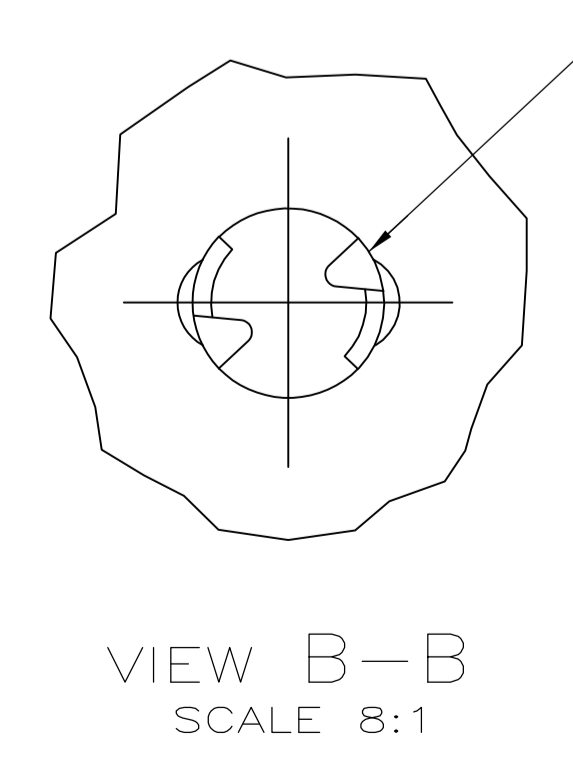
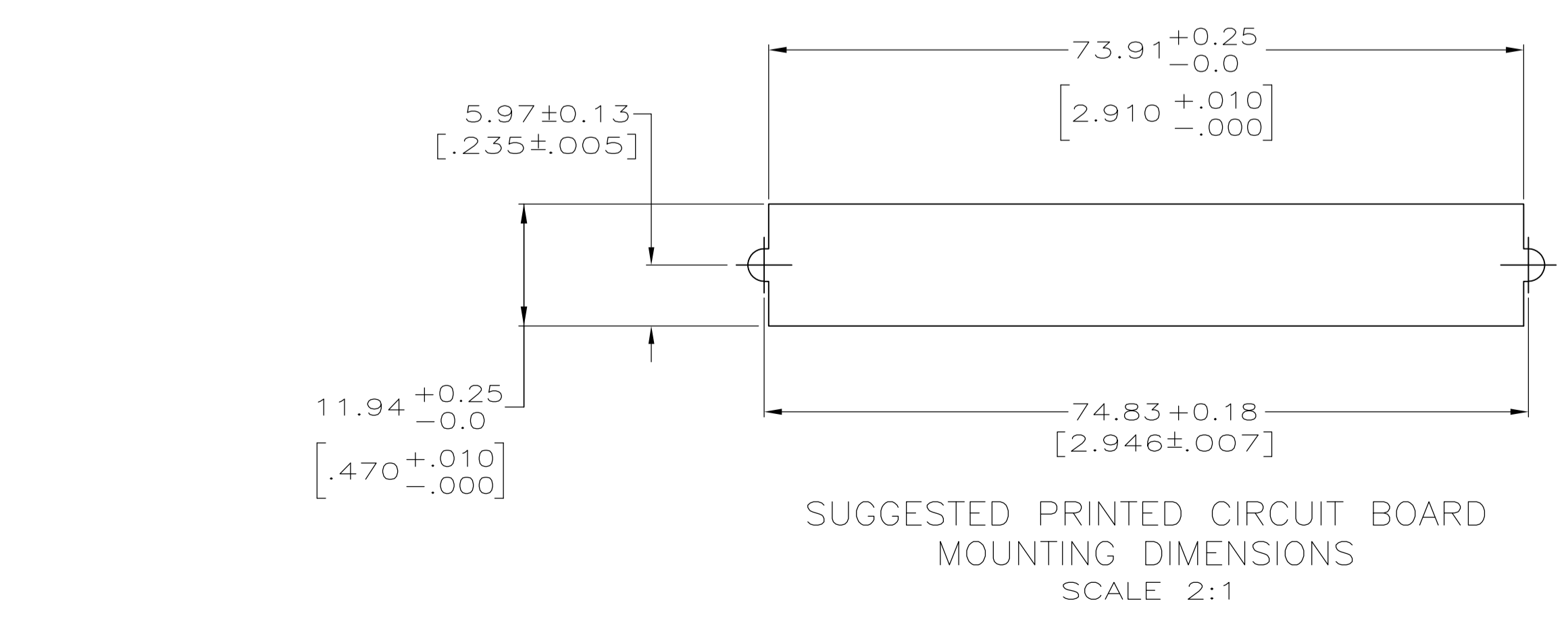
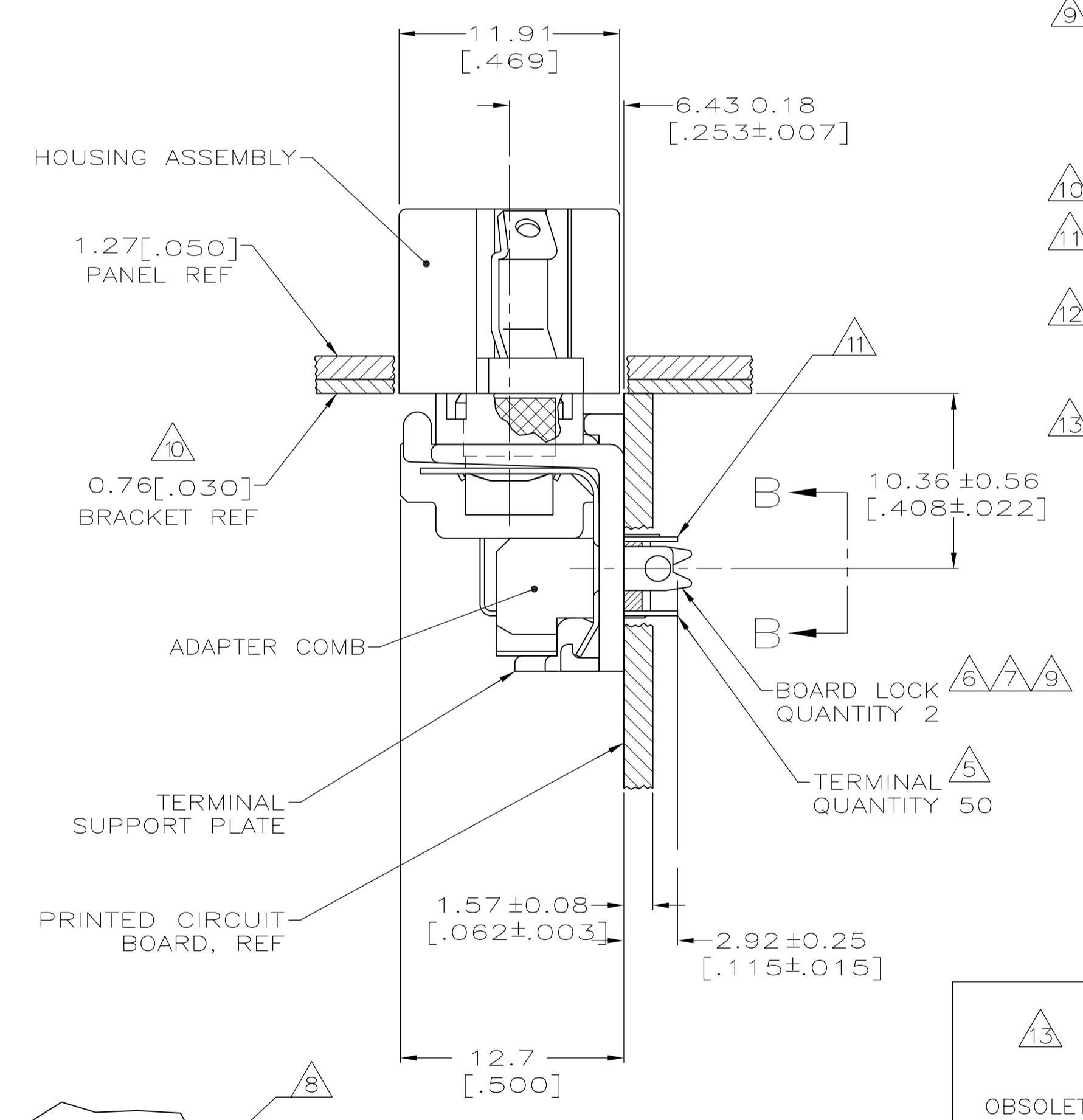
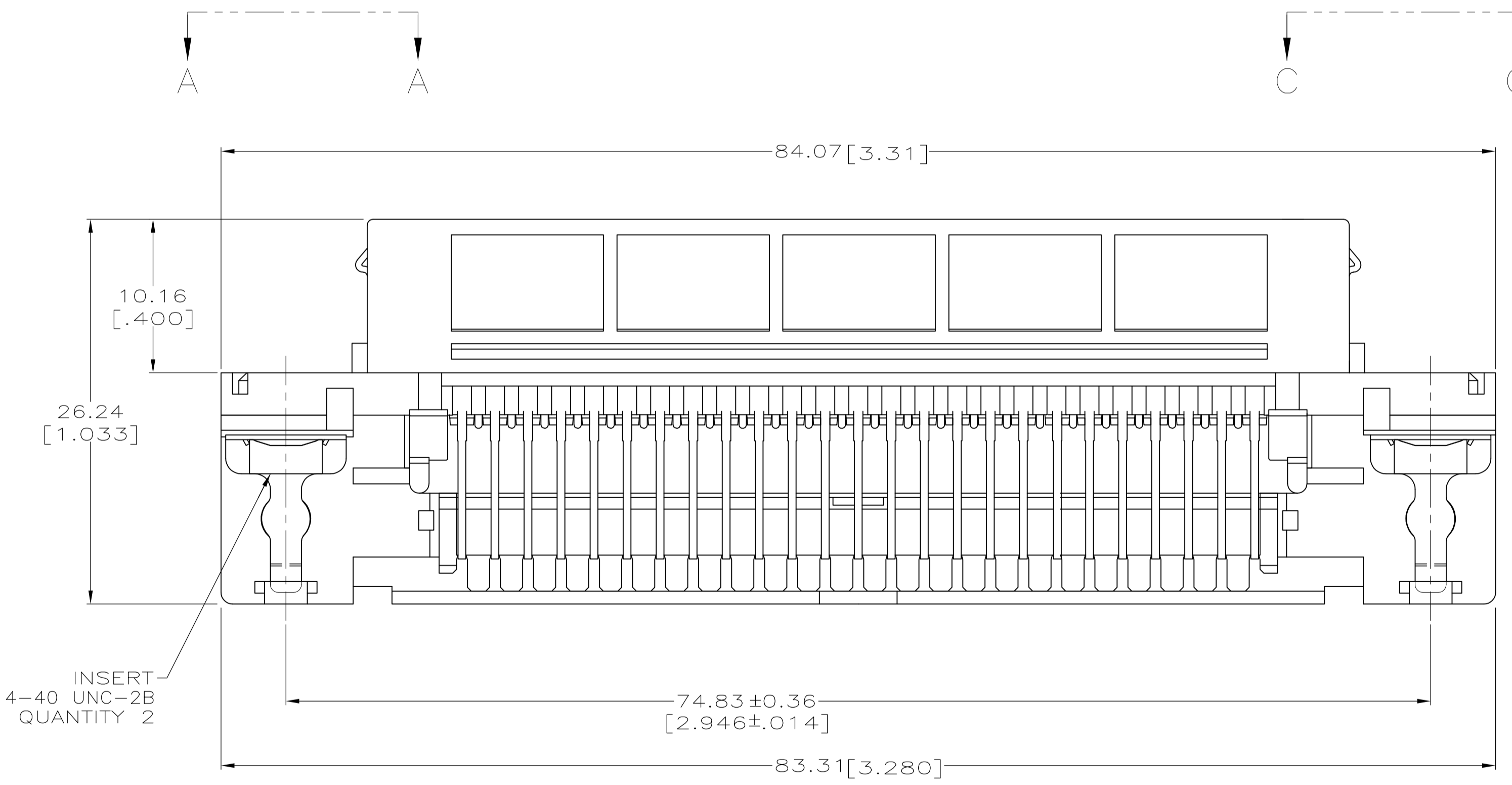


LOC		DIST		REVISIONS			
GP	00	REV	DATE	BY	CHK	APPV	
B		REVISED PER ECO-08-007327	09APR08	BM	WM		
B1		REVISED PER ECO-10-000444	19JAN10	KK	HMR		



1. MATERIAL:
 HOUSING, SUPPORT PLATE & ADAPTER COMB - POLYESTER, BLACK.
 LATCH - ZINC PLATED CARBON STEEL.
 INSERT - BRASS.
 TERMINALS - HIGH STRENGTH COPPER ALLOY PLATED WITH EITHER 0.76μm [.000030] MIN GOLD PLATE OR GOLD FLASH OVER PALLADIUM NICKEL PLATE, 0.76μm [.000030] MIN TOTAL ON MATING SURFACE. 3.05μm [.000120] MIN TIN PLATE ON TAILS. ALL OVER 1.27μm [.000050] MIN NICKEL UNDERPLATE OVER ENTIRE TERMINAL.
 BOARD LOCK - TIN PLATED CARBON STEEL.
2. THE CONTACT SURFACES OF THE TERMINALS ARE COATED WITH LUBRICANT.
3. CENTER-TO-CENTER SPACING OF TERMINALS IS 2.16 [.085] NOMINAL.
4. ALL DIMENSIONS SHOWN ARE MAXIMUM UNLESS OTHERWISE SPECIFIED.
5. TERMINAL 1 LOCATED IN THIS ROW FOR STANDARD ORIENTATION. SEE VIEW A-A.
6. BOARD LOCK RETAINS CONNECTOR IN 1.58 [.062] THICK PC BOARD WITHOUT ADDITIONAL HARDWARE.
7. BOARD LOCK LOCATES CONNECTOR FLUSH WITH TOP OF PC BOARD AND SPRING LOCKS BENEATH.
8. CYLINDRICAL SHAPE OFFERS 180° OF SOLERING SURFACE.
9. SURFACE AREA BELOW PC BOARD SHALL PASS SOLDERABILITY REQUIREMENTS IN ACCORDANCE WITH AMP SPEC 109-11-2. DISCOLORATION, SCRATCHES, SPOTS AND OTHER COSMETIC DEFICIENCIES TYPICAL OF BARREL PLATING PROCESSES ARE ACCEPTABLE PROVIDING PARTS PASS 24 HOUR EXPOSURE AT 95% RH AT 40°C WITHOUT EVIDENCE OF CORROSION.
10. BRACKET SUPPLIED BY CUSTOMER. (OPTIONAL)
11. TERMINAL 1 LOCATED IN THIS ROW FOR REVERSE ORIENTATION. SEE VIEW C-C.
12. ONE LATCH ONLY, LOCATED AT CIRCUIT 1/26 END, P/N 6116794-5 AND 6116794-6.
13. OBSOLETE PARTS: OBSOLETE CIS STREAMLINING PER D.RENAUD/D.SINISI



ORIENTATION	DESCRIPTION	PART NUMBER
13	REVERSE, SEE VIEW C-C	6116794-6
13	STANDARD, SEE VIEW A-A	6116794-5
13	REVERSE, SEE VIEW C-C	NO LATCHES
13	REVERSE, SEE VIEW C-C	AS SHOWN
13	STANDARD, SEE VIEW A-A	NO LATCHES
13	STANDARD, SEE VIEW A-A	AS SHOWN

THIS DRAWING IS A CONTROLLED DOCUMENT.		Tyco Electronics Corporation Harrisburg, PA 17105-3608	
DIMENSIONS: mm (INCHES)	TOLERANCES UNLESS OTHERWISE SPECIFIED:	REVISED PER ECO-08-007327	REVISED PER ECO-10-000444
0 PLC ± -	1 PLC ± -	2 PLC ± -	3 PLC ± -
4 PLC ± -	ANGLES ± -	RECEPTACLE ASSEMBLY, LOW PROFILE, RIGHT ANGLE, 50 POSITION, BOARD LOCK, INTEGRAL LOCKING LATCH, CHAMP	
MATERIAL	FINISH	SIZE	WEIGHT
1	1	A1	00779
CUSTOMER DRAWING		SCALE	SHEET
		4:1	1 OF 1

单击下面可查看定价，库存，交付和生命周期等信息

[>>TE Connectivity\(泰科\)](#)