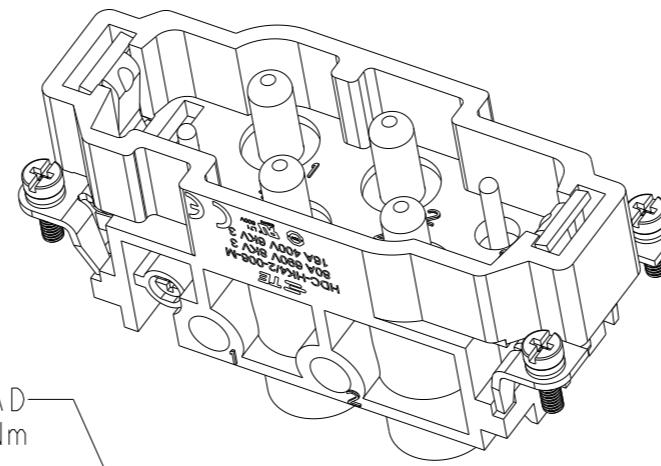
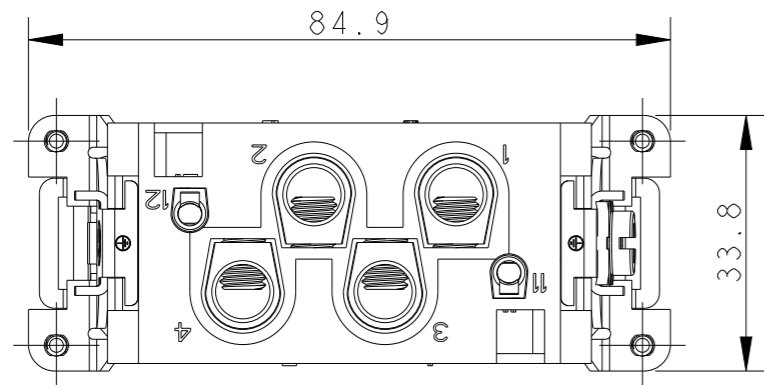


REVISIONS

P	LTR	DESCRIPTION	DATE	DWN	APVD
A		INITIAL RELEASE	14APR2015	DL	CW
B		ECR-15-018481	19FEB2016	DL	CW
C		ECR-21-111798	08SEP2021	WQR	CW

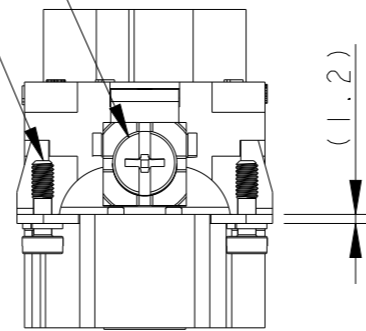
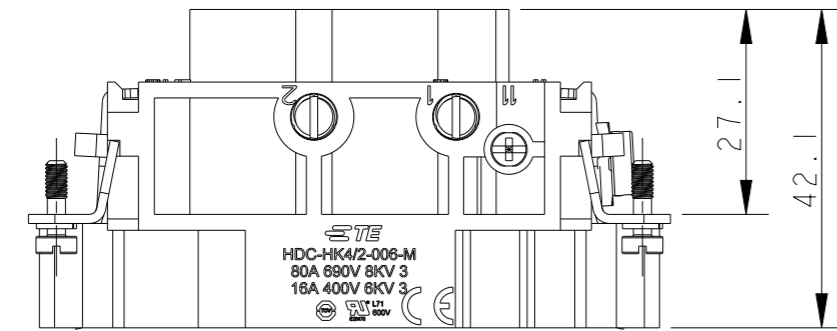


M5 THREAD
RECOMMENDED TIGHTENING TORQUE 2.0Nm

4 X M3 THREAD
RECOMMENDED TIGHTENING TORQUE 0.5Nm

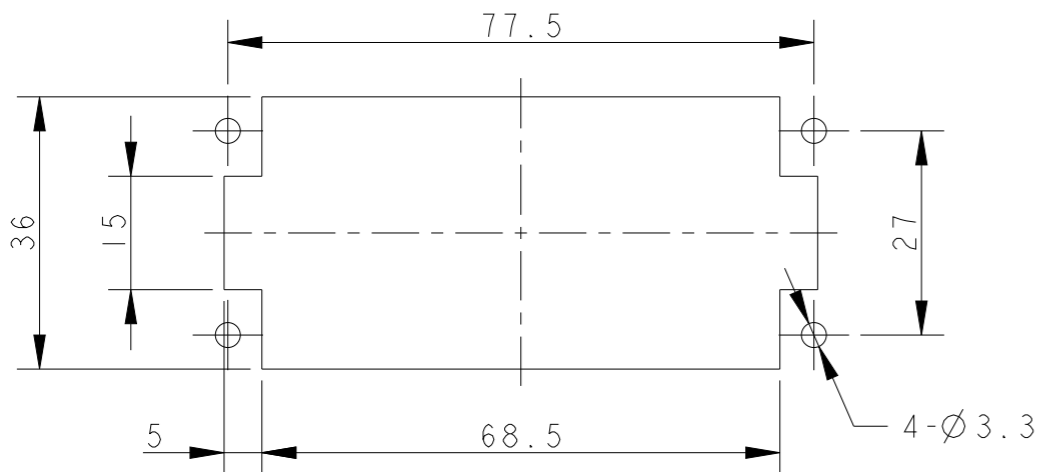
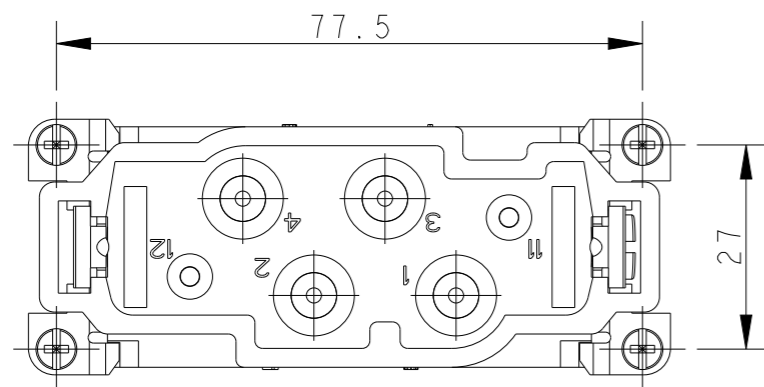
NOTES:

1. TECHNICAL CHARACTERISTICS:
 INSULATION MATERIAL: PC
 RATED VOLTAGE: POWER: 690 V; SIGNAL: 400 V
 RATED CURRENT: POWER: 80 A; SIGNAL: 16 A
 INSULATION RESISTANCE: $\geq 400M\Omega$
 RATED IMPULSE VOLTAGE: POWER: 8 KV; SIGNAL: 6 KV
 POLLUTION DEGREE: 3
 FLAMMABILITY: UL94V-0
 MATING CYCLES: 500
 OPERATION TEMPERATURE: $-40+125^{\circ}C$
 WIRE RANGE: POWER: 1.5-16 mm² (16-5 AWG)
 SIGNAL: 0.5-2.5 mm² (20-14 AWG)
 CONTACT FINISH: SILVER PLATED
 CONTACT TYPE: SCREW CONTACT




注释:

1. 技术参数:
 绝缘材料: PC
 额定电压: 电源: 690V; 信号: 400V
 额定电流: 电源: 80A; 信号: 16A
 绝缘电阻: $\geq 400M\Omega$
 额定脉冲电压: 电源: 8 KV; 信号: 6 KV
 污染等级: 3
 阻燃等级: UL94V-0
 插拔次数: 500次
 工作温度: $-40+125^{\circ}C$
 接线范围: 电源: 1.5-16 mm² (16-5 AWG)
 信号: 0.5-2.5 mm² (20-14 AWG)
 端子表面处理: 镀银
 接线类型: 螺丝压接



PANEL CUT OUT FOR INSERTS FOR USING WITHOUT HOODS/HOUSINGS

T2100062101-000	HK4/2-006-M HK4/2-006 公插
PART NUMBER 料号	PART DESCRIPTION 描述

THIS DRAWING IS A CONTROLLED DOCUMENT.		DWN 14APR2015 DAVID LI		 TE Connectivity	
DIMENSIONS: mm		CHK 14APR2015 CHRIS WANG			
TOLERANCES UNLESS OTHERWISE SPECIFIED:		APVD 14APR2015 XU XIANG			
0 PLC ±- 1 PLC ±- 2 PLC ±- 3 PLC ±- 4 PLC ±- ANGLES ±-		NAME HK4/2-006-M			
MATERIAL		PRODUCT SPEC 108-137128		SIZE A3	
		APPLICATION SPEC 114-137128		CAGE CODE -	
		WEIGHT -		DRAWING NO T2100062101000	
		CUSTOMER DRAWING		RESTRICTED TO	
		SCALE 1:1		SHEET 1 OF 1	
				REV C	

单击下面可查看定价，库存，交付和生命周期等信息

[>>TE Connectivity\(泰科\)](#)