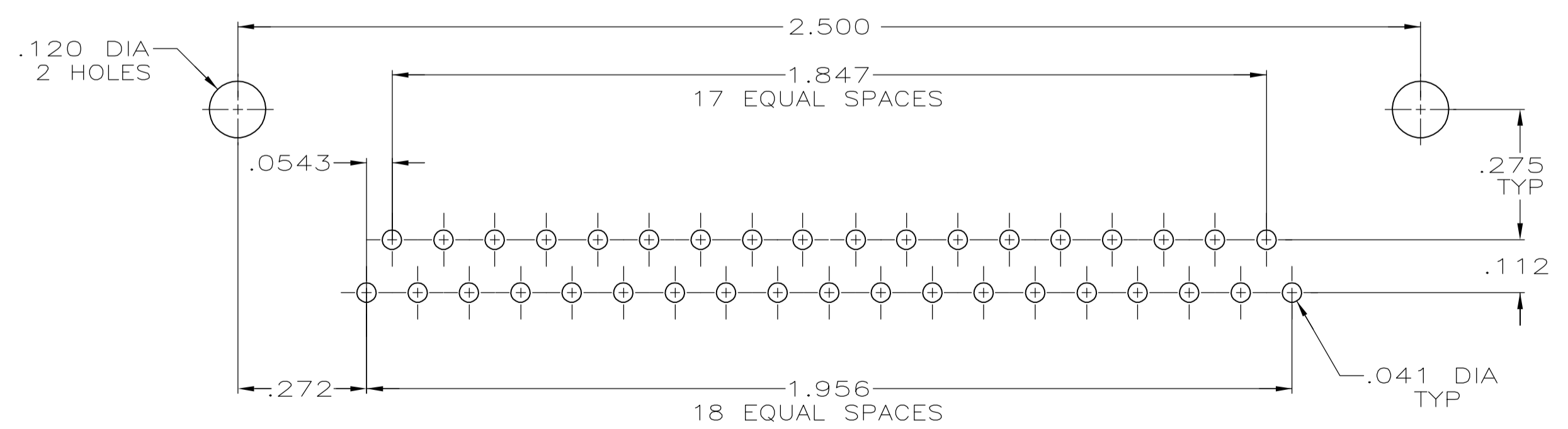
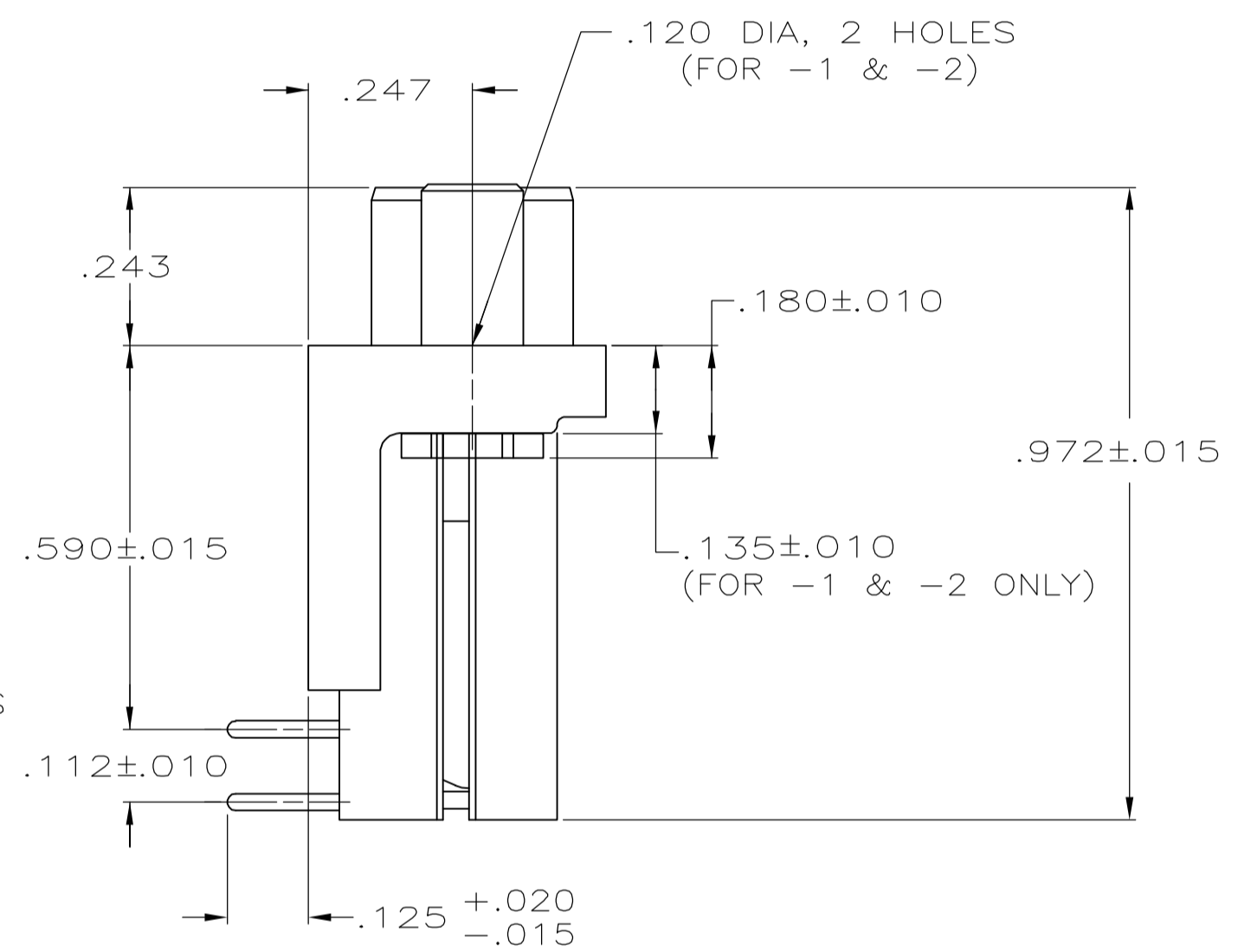
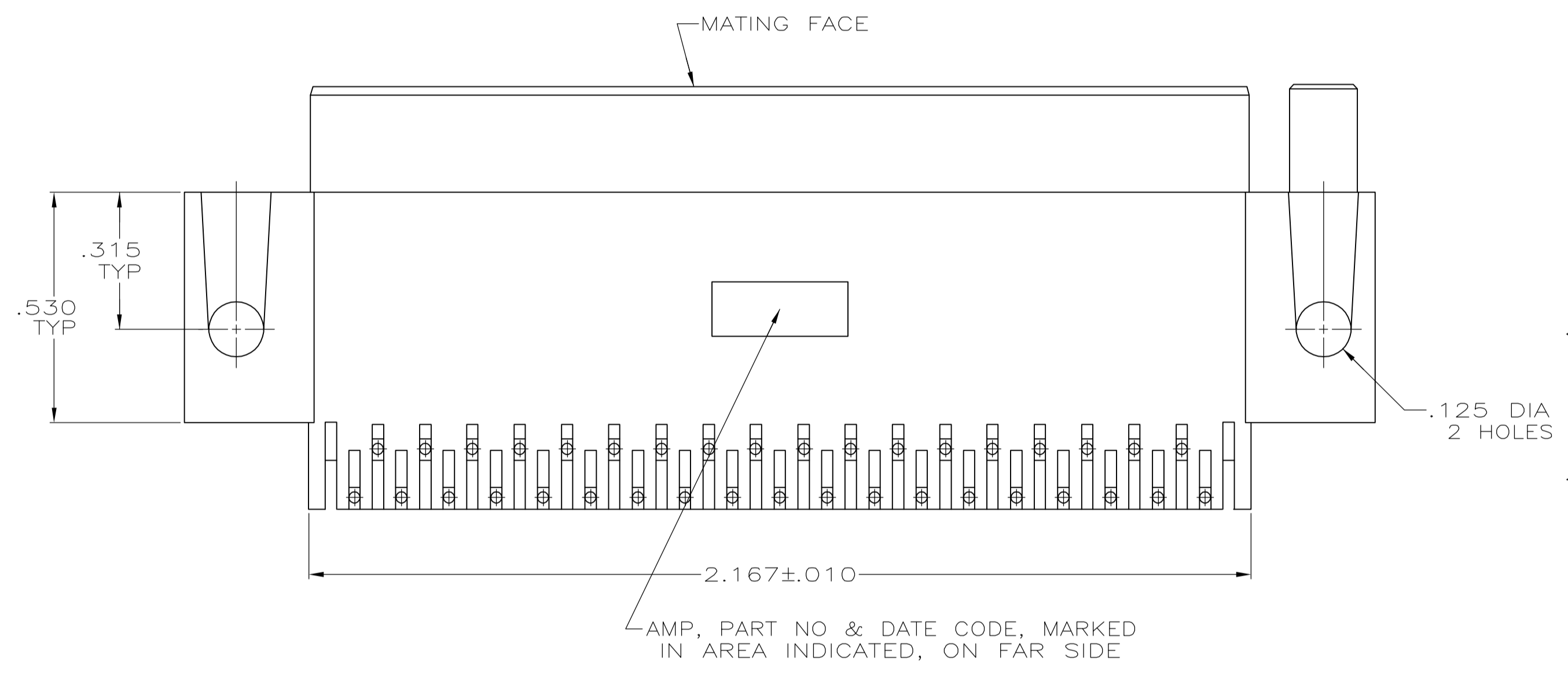


- 1 HOUSING: FLAME RETARDANT, 94V-0 RATED, GLASS FILLED, NYLON OR POLYESTER, COLOR: BLACK.
- 2 CONTACT: PHOS. BRONZE PER QQ-B-750.
- 3 REFER TO APPLICATION SPEC FOR RECOMMENDED P.C. BOARD MOUNTING DIMENSIONS FOR AUTOMATIC INSERTION.
- 4 HARDWARE: ZINC.
- 5 HARDWARE FINISH: CLEAR CHROMATE.
- 6 PLATED WITH GOLD FLASH FOR LENGTH OF .055 MIN FROM MATING END, WITH POINT OF MEASUREMENT .035 FROM MATING END OF CONTACT, .000100-.000200 TIN OR TIN-LEAD ON SOLDER END, ALL OVER .000050 NICKEL ON ENTIRE CONTACT.
- 7 PLATED WITH .000030 GOLD FOR LENGTH OF .055 MIN FROM MATING END, WITH POINT OF MEASUREMENT .035 FROM MATING END OF CONTACT, .000100-.000200 TIN OR TIN-LEAD ON SOLDER END, ALL OVER .000050 NICKEL ON ENTIRE CONTACT.



RECOMMENDED P.C. BOARD MOUNTING DIMENSIONS 3

OBSOLETE	WITH SCREWLOCKS	7	747462 -6
OBSOLETE	WITH SCREWLOCKS	6	747462 -5
OBSOLETE	WITH INSERTS	7	747462 -4
SUPSD BY 747462-4	WITH INSERTS	6	747462 -3
	WITH .120 DIA HOLE	7	747462 -2
SUPSD BY 747462-2	WITH .120 DIA HOLE	6	747462 -1
REMARKS		FINISH	PART NUMBER

THIS DRAWING IS A CONTROLLED DOCUMENT.		DWN: C. RICHARD 7-29-87	Tyco Electronics Corporation Harrisburg, PA 17105-3608
DIMENSIONS: INCHES		DIK: S. WELDON 7-30-87	
TOLERANCES UNLESS OTHERWISE SPECIFIED:		APVD: B. TAYLOR 8-3-97	NAME: RECEPTACLE ASSY, SIZE 4, 37 POSN, RIGHT ANGLE, .590 SERIES, .026 DIA POSTS, AMPLIMITE® HD-20
0 PLC ± - 1 PLC ± - 2 PLC ± - 3 PLC ± .005 4 PLC ± ± 2° ANGLES ± ± 2°		PRODUCT SPEC: 108-40025	RESTRICTED TO: -
MATERIAL: FINISH: CONTACTS: SEE TABLE		APPLICATION SPEC: 114-40015	SIZE: A1
CUSTOMER DRAWING		WEIGHT: -	SCALE: 4:1
		DATE: 00779	SHEET: 1 OF 1
		DRAWING NO: 747462	REV: H

单击下面可查看定价，库存，交付和生命周期等信息

[>>TE Connectivity\(泰科\)](#)