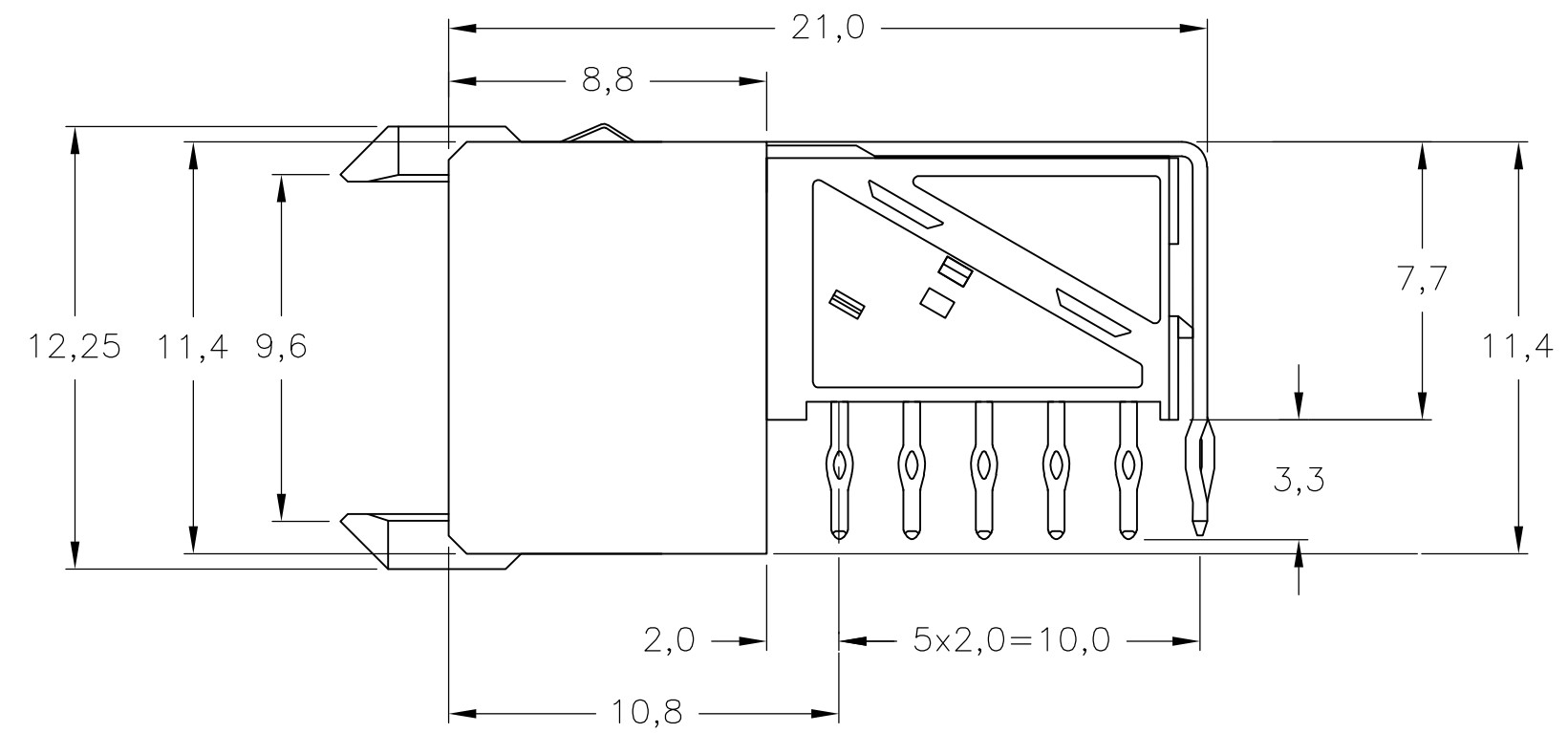
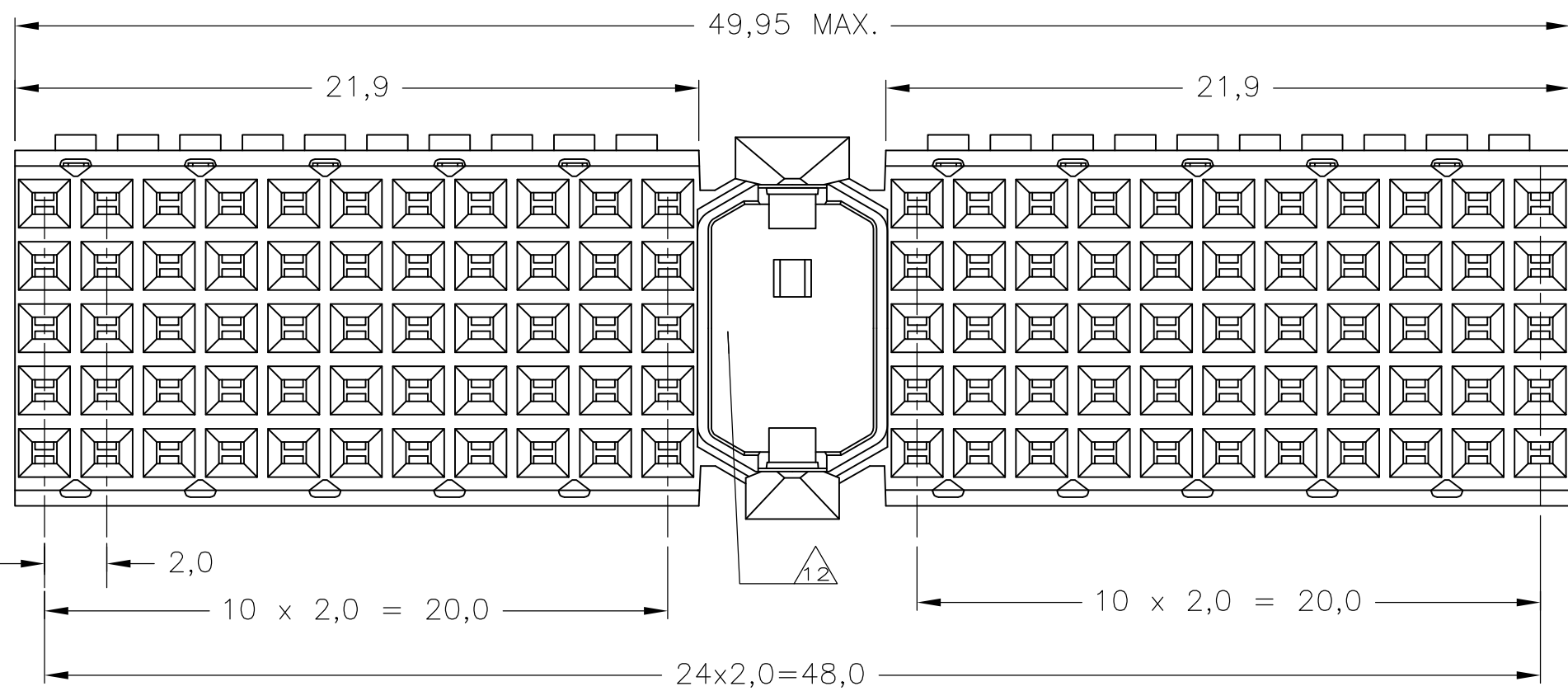
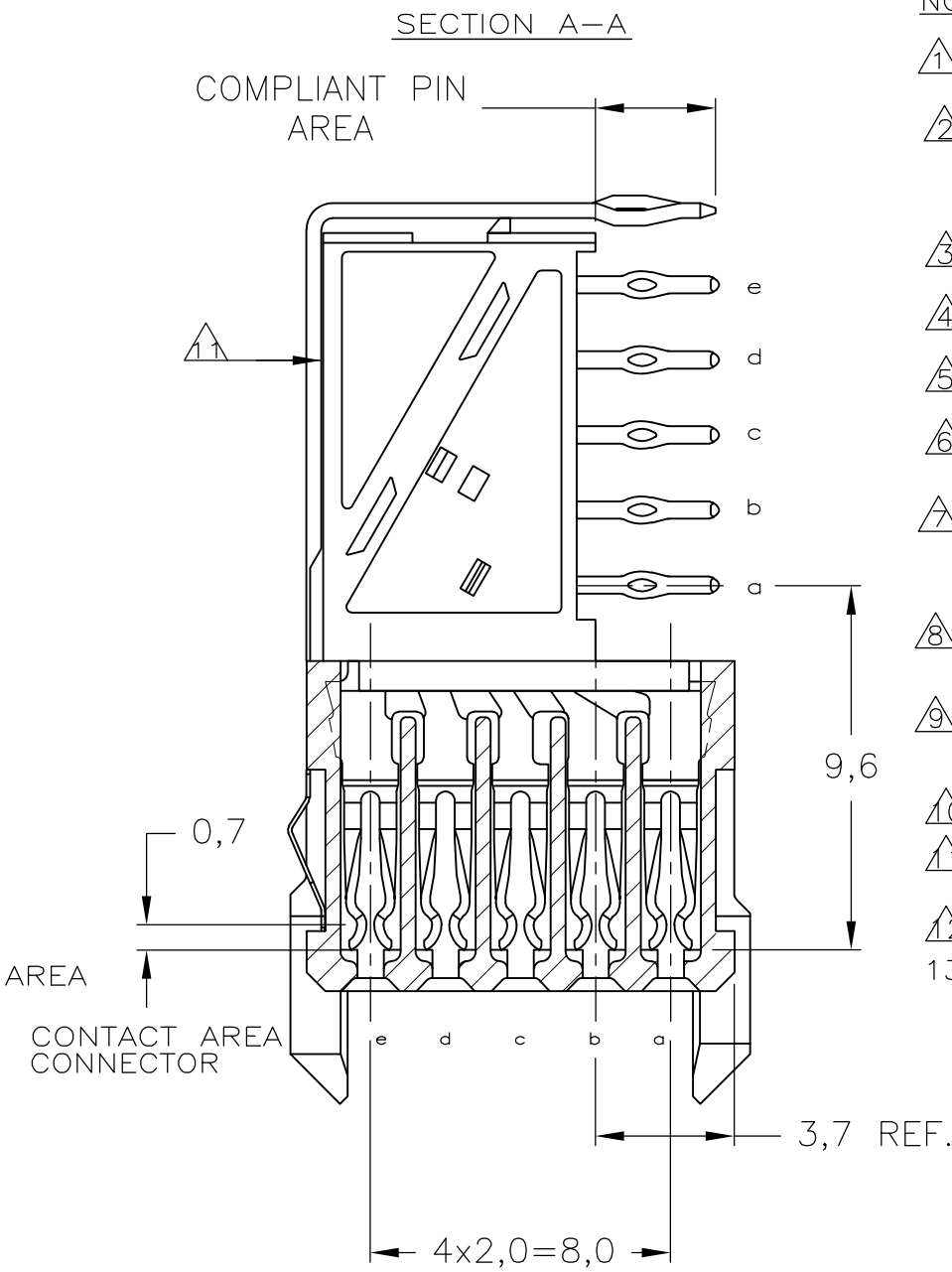
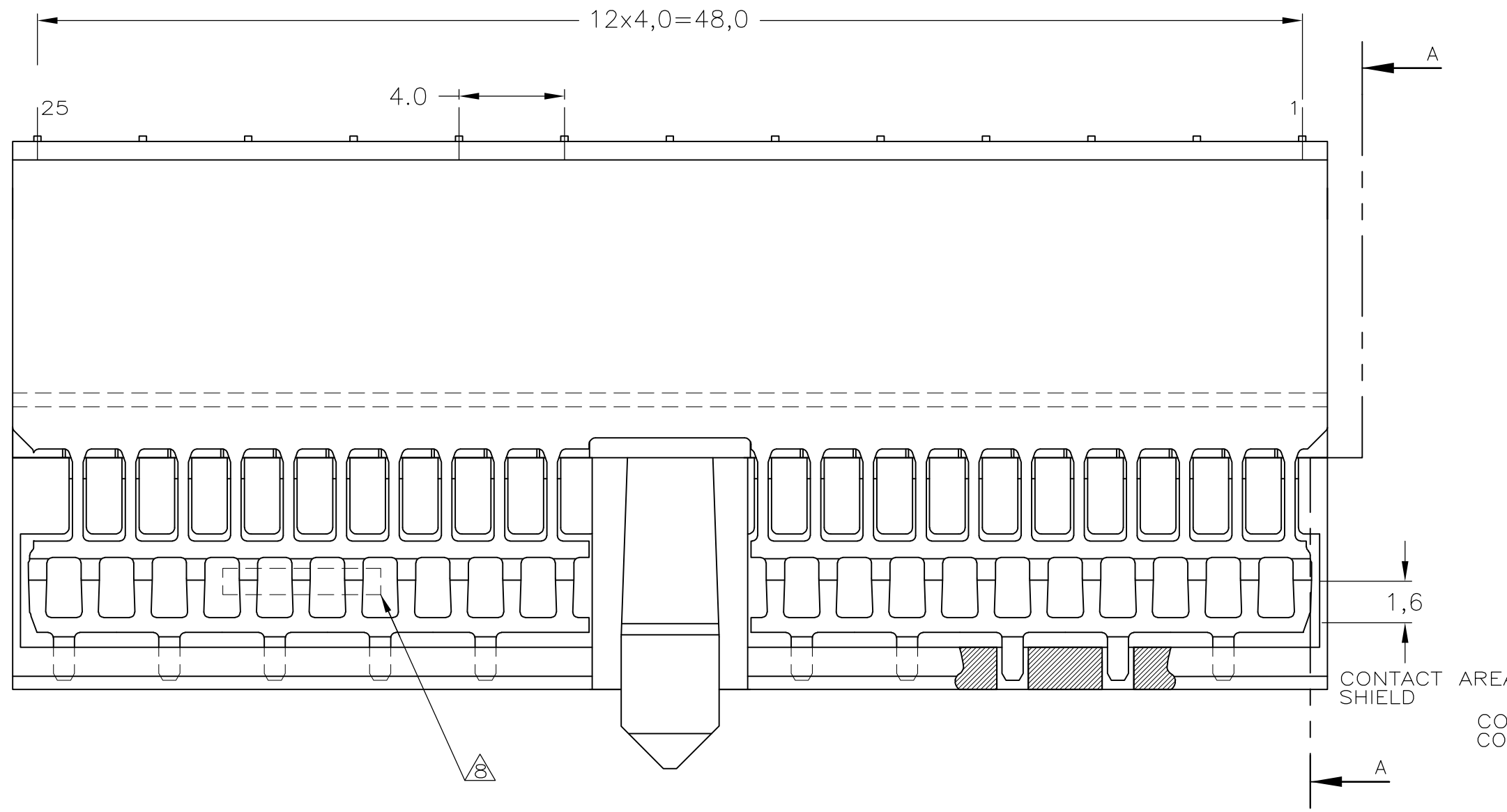


THIS DRAWING IS UNPUBLISHED. RELEASED FOR PUBLICATION  
 © COPYRIGHT BY TYCO ELECTRONICS CORPORATION. ALL RIGHTS RESERVED.

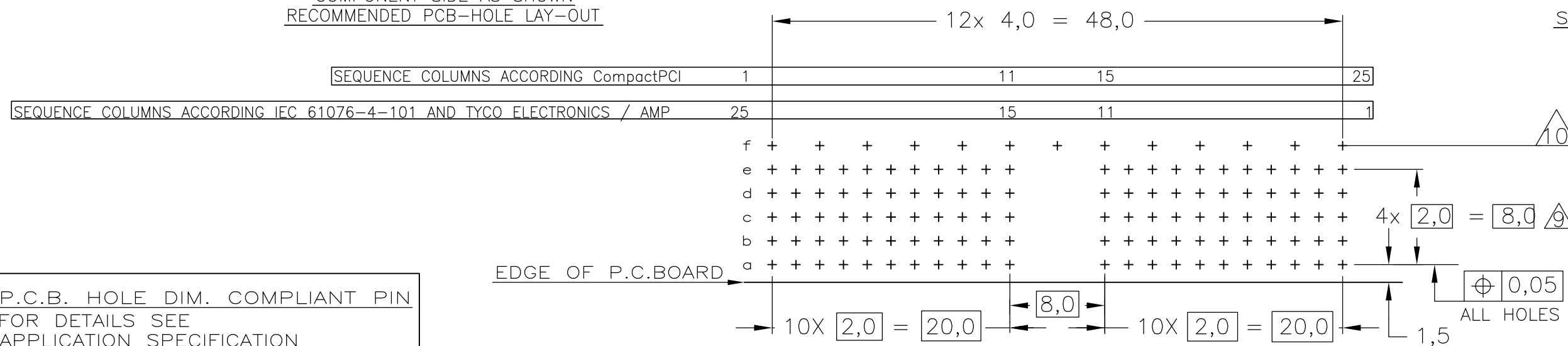
LOC	DIST	REVISIONS				
		P	LTR	DESCRIPTION	DATE	DWN
H	-	A1	ECR-07-024984	19OCT2007	JvH	JB
		C	ECO-11-024491	13DEC11	SY	MQW

NOTES:

- ⚠ MATERIAL CONTACTS; PHOSPHORBRONZE MATERIAL HOUSING; GLASSFILLED POLYESTER (GRAY)
- ⚠ GENERAL PLATING SPECIFICATION: UNDERPLATING (ENTIRE CONTACT): 1,27µm NICKEL MIN. AND COMPLIANT PIN SECTION: 0,5µm TIN MIN. FOR PLATING OF MATING SURFACES SEE APPLICABLE SPECIFICATION REFERENCE FOR EACH DASH NUMBER.
- ⚠ CONFORMS TO ALL TESTING ACCORDING IEC 61076-4-101 PERFORMANCE LEVEL 2.
- ⚠ CONFORMS TO ALL TESTING ACCORDING IEC 61076-4-101 PERFORMANCE LEVEL 1.
- ⚠ CONNECTOR TESTED AND QUALIFIED AGAINST TELCORDIA GR-1217-CORE QUALITY LEVEL III, CENTRAL OFFICE APPLICATIONS. CONNECTOR LUBRICATED WITH TELCORDIAGR-1217-CORE APPROVED LUBRICANT.
- ⚠ PLATING SHIELD: CONTACT AREA: 0,76µm Au MIN. COMPLIANT PIN SECTION: 0,5µm Sn MIN. REMAINDER : Ni
- ⚠ ASSEMBLY PRINTED WITH P/N AND DATECODE THE MARKING CAN APPEAR ON THE FRONT SIDE OR BACK SIDE.
- ⚠ HOLE PATTERN FOR FEMALE CONNECTOR TYPE A 110 PLATED-THROUGH HOLES AT 2x2mm SQUARE GRID
- ⚠ ROW "f" 13 PLATED THROUGH HOLES FOR UPBERSHIELD
- ⚠ SHIELD MOUNTED ON CONNECTOR WITH DOUBLE SIDED ADHESIVE TAPE OR ADHESIVE.
- ⚠ AREA RESERVED FOR KEYING PART (BASIC P.N. 100526) 13 BASIC P.N. LOWERSHIELD: 5338108



COMPONENT SIDE AS SHOWN  
 RECOMMENDED PCB-HOLE LAY-OUT



SCALE 2,5:1

⚠ 5 6 7	⚠	1857994-9
⚠ 4 4	⚠	1857994-4
⚠ 3 3	⚠	1857994-1
FINISH	MATERIAL	PARTNUMBER

THIS DRAWING IS A CONTROLLED DOCUMENT.		DWN J.van Hoek 23AUG2007	Tyco Electronics Corporation		
DIMENSIONS: mm		CHK J.Broeksteeg 23AUG2007	's-Hertogenbosch, 5222AR-32		
TOLERANCES UNLESS OTHERWISE SPECIFIED: ±0.2		APVD B.Mooij 23AUG2007	NAME		
6-PLG ±		PRODUCT SPEC 108-19082	Z-PACK 2mm HM		
1-PLG ±		APPLICATION SPEC 114-19029	TYPE A - 25 COLUMNS		
2-PLG ±		WEIGHT -	SIZE A2	CAGE CODE 00779	DRAWING NO C=1857994
3-PLG ±		MATERIAL -	RESTRICTED TO -	SCALE 5:1 SHEET 1 OF 1 REV C	
4-PLG ±		FINISH -	CUSTOMER DRAWING		
ANGLES ±					

单击下面可查看定价，库存，交付和生命周期等信息

[>>TE Connectivity\(泰科\)](#)