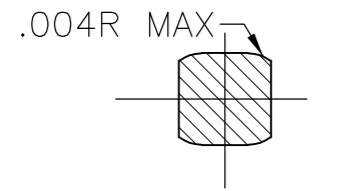
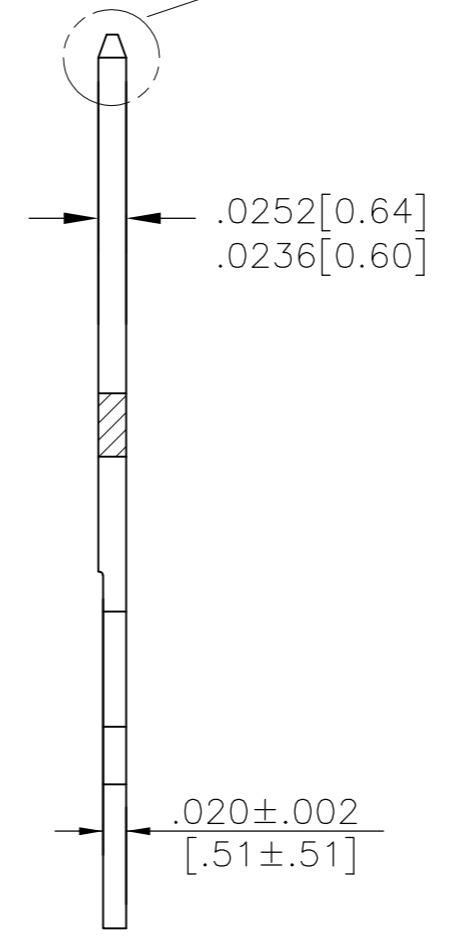
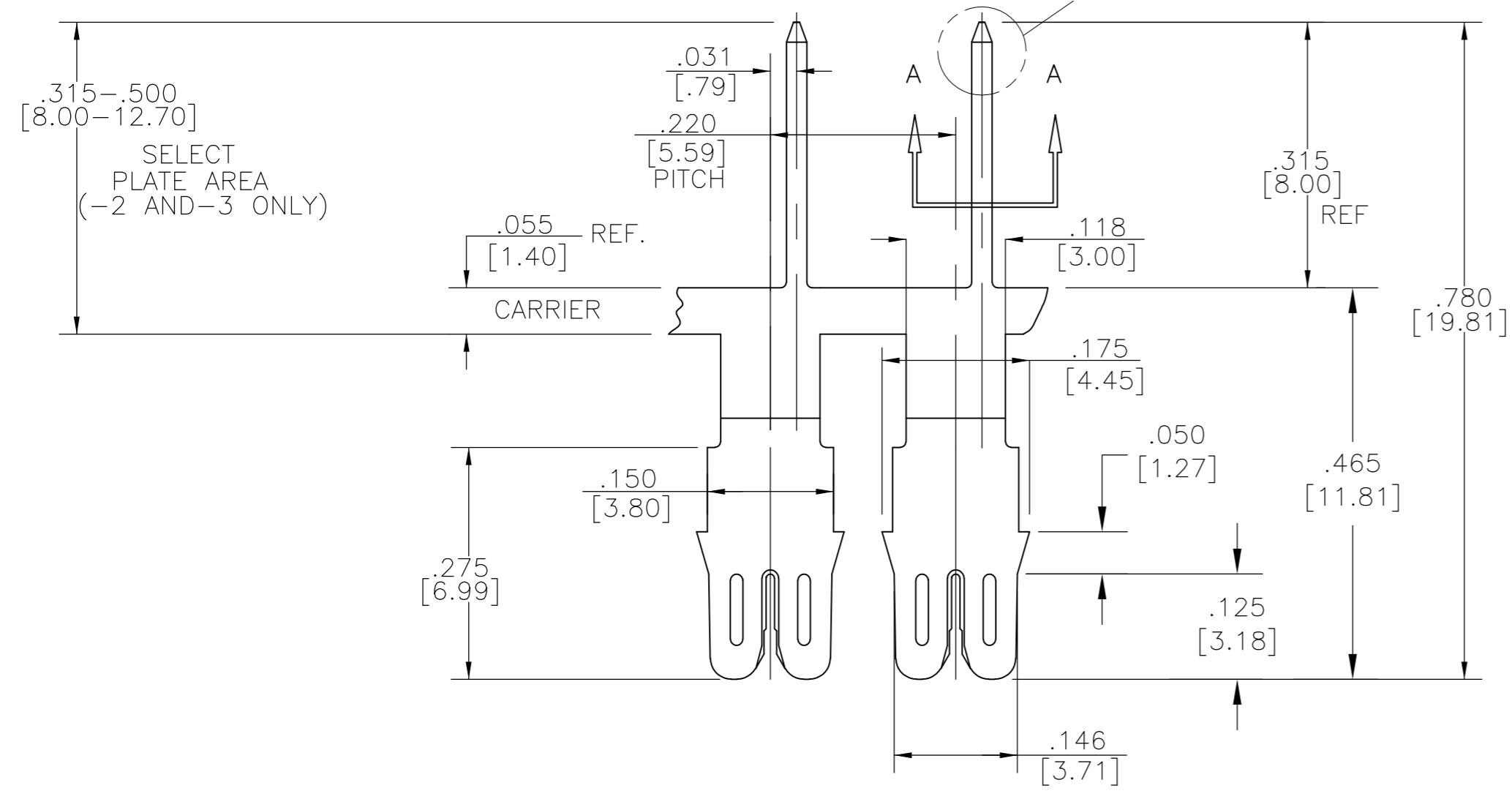
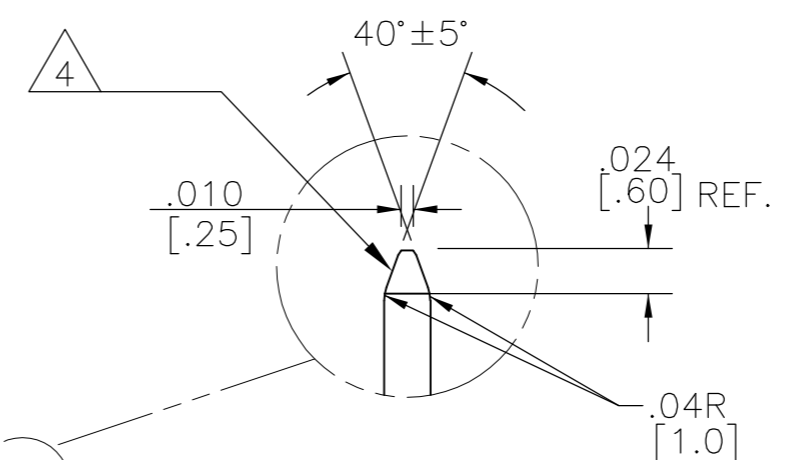
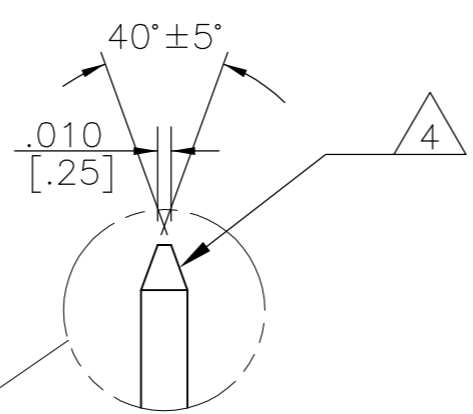


THIS DRAWING IS UNPUBLISHED. RELEASED FOR PUBLICATION
 © COPYRIGHT - By - ALL RIGHTS RESERVED.

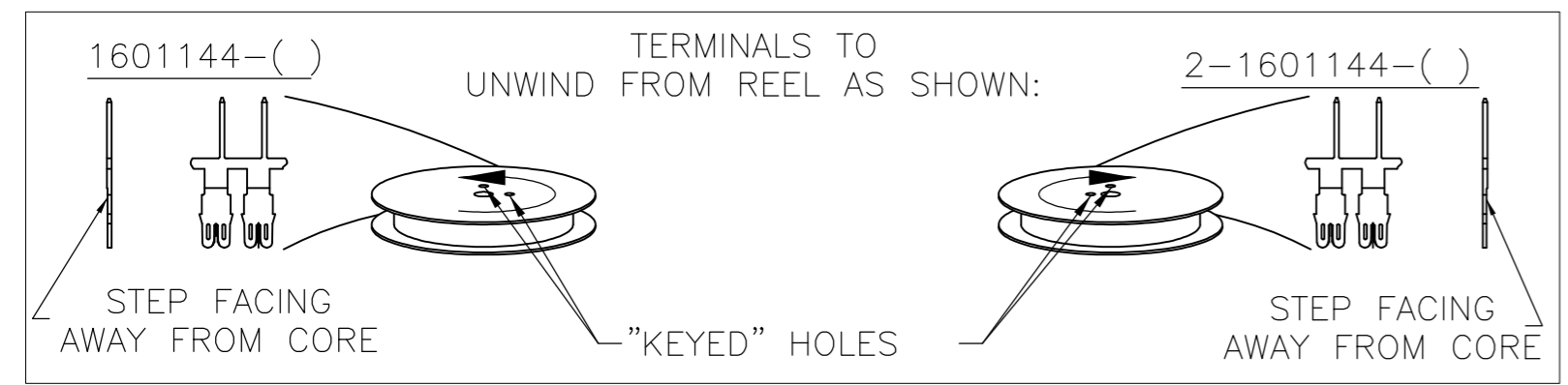
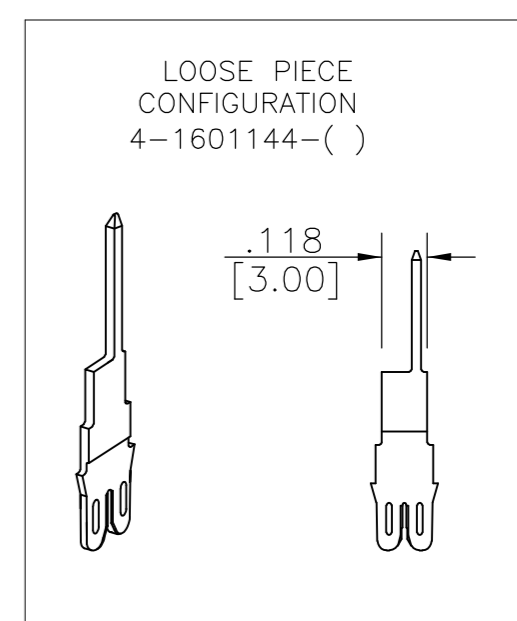
LOC		DIST		REVISIONS			
P	LTR	DESCRIPTION		DATE	DWN	APVD	
	B3	REVISED PER ECR-13-015346		03OCT2013	KH	GJ	



SECTION A-A
20 X SCALE



- SPECIFICATIONS:
WIRE:(2) #20 AWG RESISTOR
LEADS .031" ϕ (0.812 mm)
- POCKET RECOMMENDATION:
#1601424.
- TERMINAL APPLICATION TO COMPLY WITH
TYCO ELECTRONICS SPECIFICATION 114-13166.
CONSULT TYCO ELECTRONICS ENGINEERING
FOR THE PROPER INSERTION DEPTH.
- TIP MAY BE RADIUSED WITHIN DIMENSIONS
SHOWN AND HAVE CONVEX SIDES.
- TWO(2) TERMINALS SHOWN FOR ILLUSTRATION
PURPOSES ONLY
- PRELIMINARY - NOT FOR PRODUCTION



	-	-	-
	-	-	-
	PRE-TIN PLATE OVER NICKEL UNDERPLATE	-	Δ 1601144-4
	SELECTIVE POST TIN PLATE OVER NICKEL UNDERPLATE	159-003-120	1601144-3
OBSOLETE	POST TIN-LEAD PLATE OVER NICKEL UNDERPLATE	159-003-119	1601144-2
	UNPLATED	159-003-000	1601144-1
	FINISH	REFERENCE PART NUMBER	PART NUMBER
THIS DRAWING IS A CONTROLLED DOCUMENT.		DWN J.WELLER 11JAN2002	TE Connectivity
DIMENSIONS: INCHES		CHK M.FEHER 11JAN2002	
TOLERANCES UNLESS OTHERWISE SPECIFIED:		APVD K.RANDOLPH 11JAN2002	
0 PLC \pm - 1 PLC \pm - 2 PLC \pm .01[0.13] 3 PLC \pm .005[0.26] 4 PLC \pm - ANGLES \pm 2°		NAME	
MATERIAL BRASS, 3/4 HARD		FINISH SEE TABLE	MULTIPLE WIRE I.D.C.TO OFFSET SQUARE PIN SIAMEZE TERMINAL
WEIGHT -		SIZE A2	CAGE CODE 00779
CUSTOMER DRAWING		DRAWING NO C=1601144	RESTRICTED TO -
SCALE 1:1		SHEET 1 of 1	REV B3

单击下面可查看定价，库存，交付和生命周期等信息

[>>TE Connectivity\(泰科\)](#)