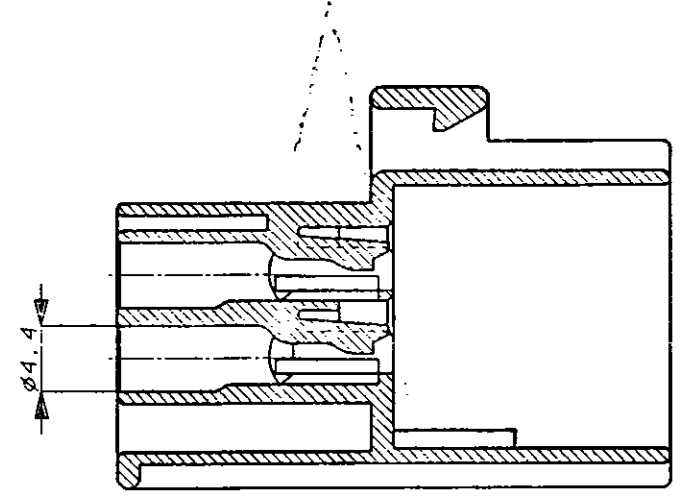
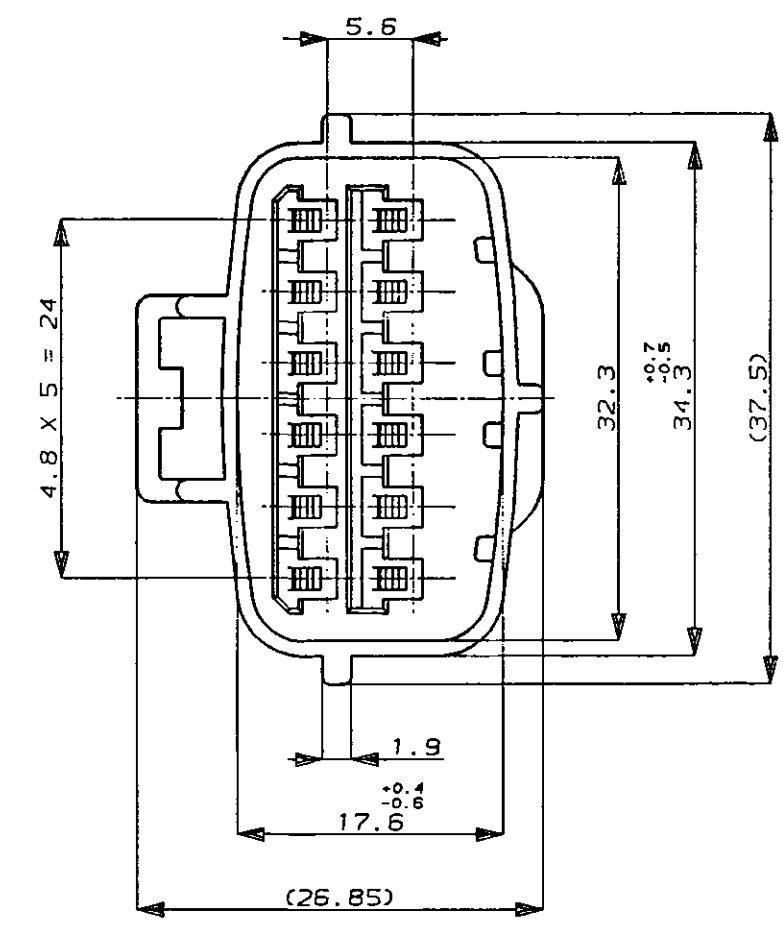
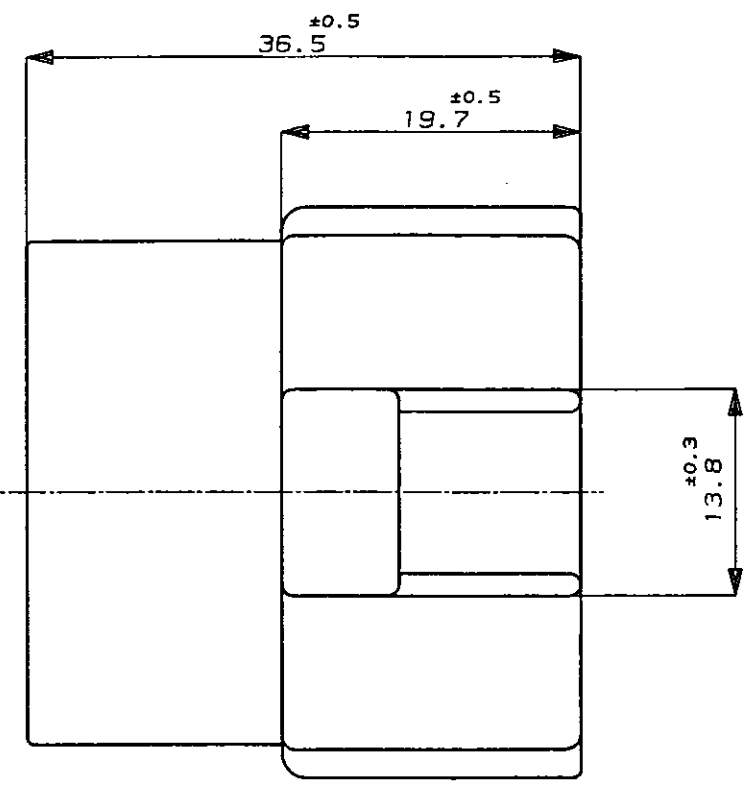
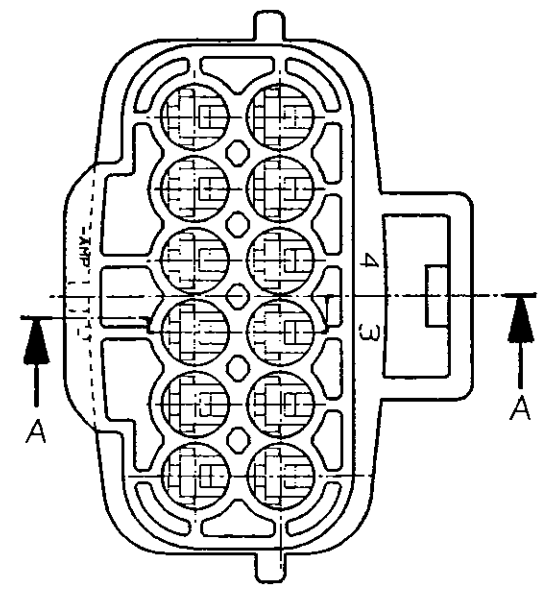


-2 ; 本 ☒  
-2 AS SHOWN

NUMBER 174663  
METRIC  
3rd ANGLE PROJECTION



SECTION  
断面 A-A

注 :

- 1 かん合相手型番 : 174661
- 2 本品はダブルロックプレート P/N 174664を装着して使用する

NOTE :

- 1 FOR PLUG HOUSING (P/N174661)
- 2 THIS PART MUST BE USED WITH DOBLE LOCK PLATE (P/N174664)

DIMENSIONS IN MILLIMETERS. DO NOT SCALE PRINT

				© 1987 BY AMP (Japan) LTD. ALL RIGHTS RESERVED. AMP PRODUCTS COVERED BY PATENTS AND OR PATENTS PENDING		<b>AMP</b>		AMP (JAPAN), LTD. Tokyo, Japan	
				WIRE RANGE		INSULATION DIA		NAME	
				mm <sup>2</sup> (AWG)		mm		12P. ECONOSEAL J-MARK II <sup>+</sup> CONNECTOR 12極 エコノシール J マーク II <sup>+</sup> CAP HOUSING キャップハウジング	
				MATERIAL		FINISH		GENERAL TOLERANCE	
				PBT		BLACK 黒		0 <= < 10 : ±0.2 10 <= < 30 : ±0.25 30 <= < 100 : ±0.3 ANGLES : ±3°	
				DR. K. Oda 5/26/87		DE. K. Oda 5/26/87		SIZE LOC NUMBER	
				CHK. M. Matsushita 5/26/87		APP. M. Tsuchi 1/1/88		B J 174663	
LTR REVISION RECORD DR CHK DATE								SCALE REV. SHEET	
								2:1 D 1 OF 1	

CUSTOMER DRAWING

PRINT DIST

AMP-J  
REV. 10/'83

单击下面可查看定价，库存，交付和生命周期等信息

[>>TE Connectivity\(泰科\)](#)