


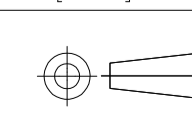
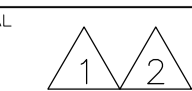
RECOMMENDED P.C. BOARD LAYOUT

THIS DRAWING IS A CONTROLLED DOCUMENT.		DIN T. HOFFMAN 6/30/92		TE Connectivity	
DIMENSIONS: mm [INCHES]		CHK G. SKIPPER 7/14/92			
TOLERANCES UNLESS OTHERWISE SPECIFIED:		APVD		NAME	
0 PLC ± -		PRODUCT SPEC		HDI, 4 ROW, PIN ASSEMBLY, 4.83 [.190] LONG ACTION PINS, 0.00127 [.000050] GOLD PLATE	
1 PLC ± -		APPLICATION SPEC		SIZE	
2 PLC ± -		WEIGHT		CAGE CODE DRAWING NO. RESTRICTED TO	
3 PLC ± 0.13 [.005]		A1 00779		533935	
4 PLC ± -		CUSTOMER DRAWING		SCALE 4:1 SHEET 1 OF 2 REV L1	
ANGLES ± -					
FINISH					

LOC		DIST		REVISIONS				
AD	25	REV	LYR	DESCRIPTION	DATE	OWN	APVD	
-	-	-	-	SEE SHEET 1	-	-	-	

- 1 HOUSING MATERIAL: THERMOPLASTIC, COLOR=NATURAL.
- 2 CONTACT MATERIAL: PHOSPHOR BRONZE.
- 3 CONTACT FINISH: .00127-.00254 [.000050-.000100] NICKEL
UNDERPLATE ALL OVER; .00127 [.000050] GOLD PLATE IN
CONTACT AREA, TIN-LEAD PLATED POSTS.
- 4 SOLDER PIN POST RECOMMENDED P.C. BOARD HOLE SIZES ARE
0.94-1.09 [.037-.043]; RECOMMENDED PAD DIA IS 1.52 [.060].
- 5 DIMENSIONS IN BRACKETS ARE IN INCHES.
- 6 HOUSINGS WITH CENTER MOUNTING IS RECOMMENDED FOR ASSEMBLIES
HAVING 75 CONTACTS PER ROW OR MORE.
- 7 MARK EVERY TENTH POST POSITION.
- 8 MARK ROW D AND FIRST-LAST POSITION IDENTIFICATION.
- 9 TOTAL NUMBER OF POSITIONS PER ROW.

144.78 [5.700]	57	148.59 [5.850]	158.75 [6.250]	166.37 [6.550]	232	-	1-533935-4
111.76 [4.400]	44	115.57 [4.550]	125.73 [4.950]	133.35 [5.250]	180	-	1-533935-3
86.36 [3.400]	34	90.17 [3.550]	100.33 [3.950]	107.95 [4.250]	140	-	1-533935-2
73.66 [2.900]	29	77.47 [3.050]	87.63 [3.450]	95.25 [3.750]	120	-	1-533935-1
187.96 [7.400]	74	191.77 [7.550]	201.93 [7.950]	209.55 [8.250]	300	M55302/179-114	1-533935-0
175.26 [6.900]	69	179.07 [7.050]	189.23 [7.450]	196.85 [7.750]	280	M55302/179-105	533935-9
-	-	-	-	-	-	-	533935-8
162.56 [6.400]	64	166.37 [6.550]	176.53 [6.950]	184.15 [7.250]	260	M55302/179-87	533935-7
149.86 [5.900]	59	153.67 [6.050]	163.83 [6.450]	171.45 [6.750]	240	M55302/179-78	533935-6
137.16 [5.400]	54	140.97 [5.550]	151.13 [5.950]	158.75 [6.250]	220	M55302/179-69	533935-5
124.46 [4.900]	49	128.27 [5.050]	138.43 [5.450]	146.05 [5.750]	200	M55302/179-60	533935-4
99.06 [3.900]	39	102.87 [4.050]	113.03 [4.450]	120.65 [4.750]	160	M55302/179-42	533935-3
78.74 [3.100]	31	82.55 [3.250]	92.71 [3.650]	100.33 [3.950]	128	M55302/179-24	533935-2
60.96 [2.400]	24	64.77 [2.550]	74.93 [2.950]	82.55 [3.250]	100	M55302/179-06	533935-1
E	D	C	B	A	POSN	MILITARY	AMP
						PART NUMBERS	

THIS DRAWING IS A CONTROLLED DOCUMENT.		DIN T. HOFFMAN 6/30/92	 TE Connectivity	
DIMENSIONS: mm [INCHES]		CHK G. SKIPPER 7/14/92	NAME	
TOLERANCES UNLESS OTHERWISE SPECIFIED: 0 PLC ± - 1 PLC ± - 2 PLC ± - 3 PLC ± 0.13 [.005] 4 PLC ± - ANGLES ± -		APVD	HDI, 4 ROW, PIN ASSEMBLY, 4.83 [.190] LONG ACTION PINS, .00127 [.000050] GOLD PLATE	
		PRODUCT SPEC	SIZE	
MATERIAL		APPLICATION SPEC	CAGE CODE	
FINISH		WEIGHT	DRAWING NO	
		CUSTOMER DRAWING	A1 00779-533935	
		SCALE	RESTRICTED TO	
		4:1	REV	
		SHEET	L1	
		2 OF 2		

单击下面可查看定价，库存，交付和生命周期等信息

[>>TE Connectivity\(泰科\)](#)