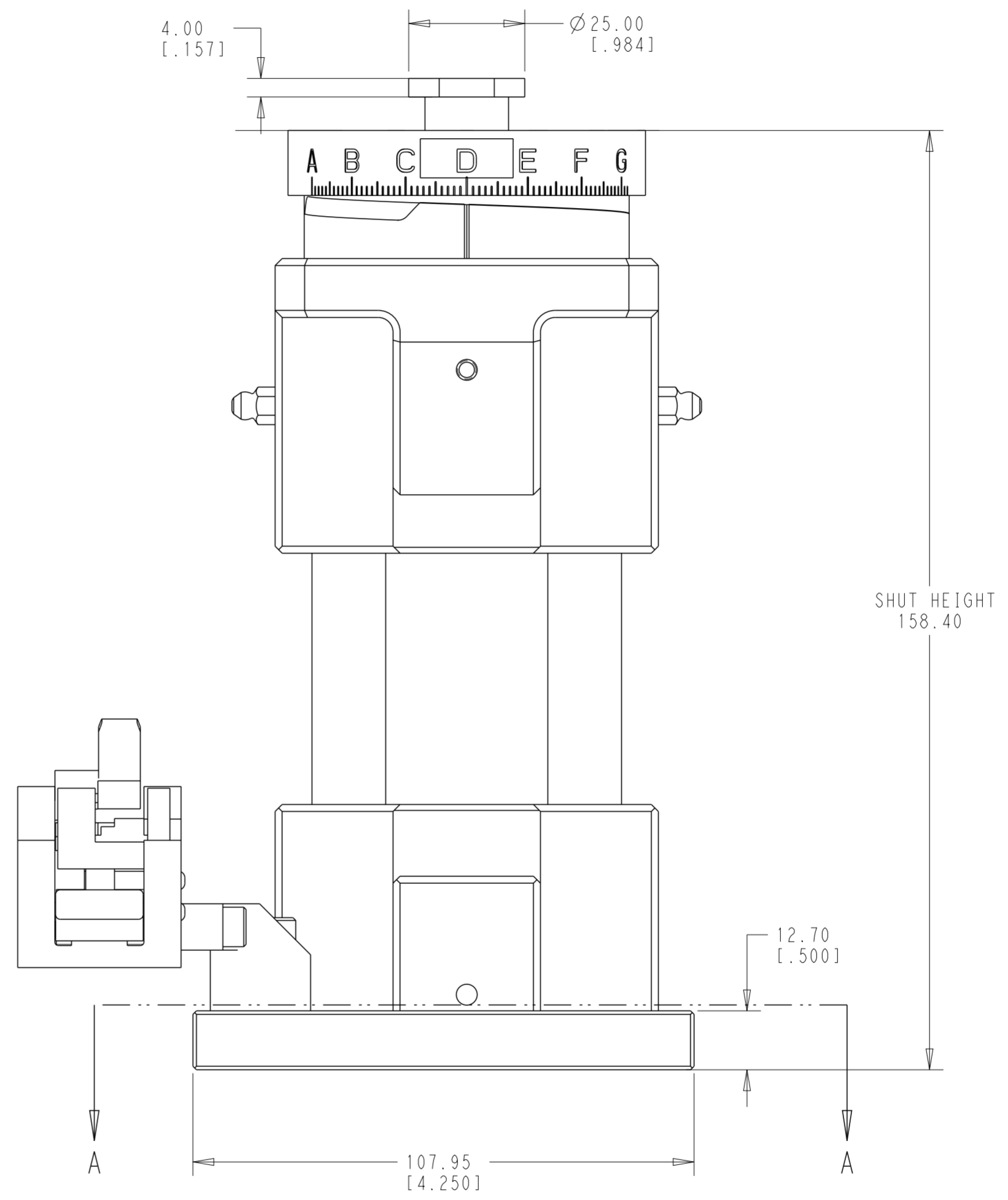
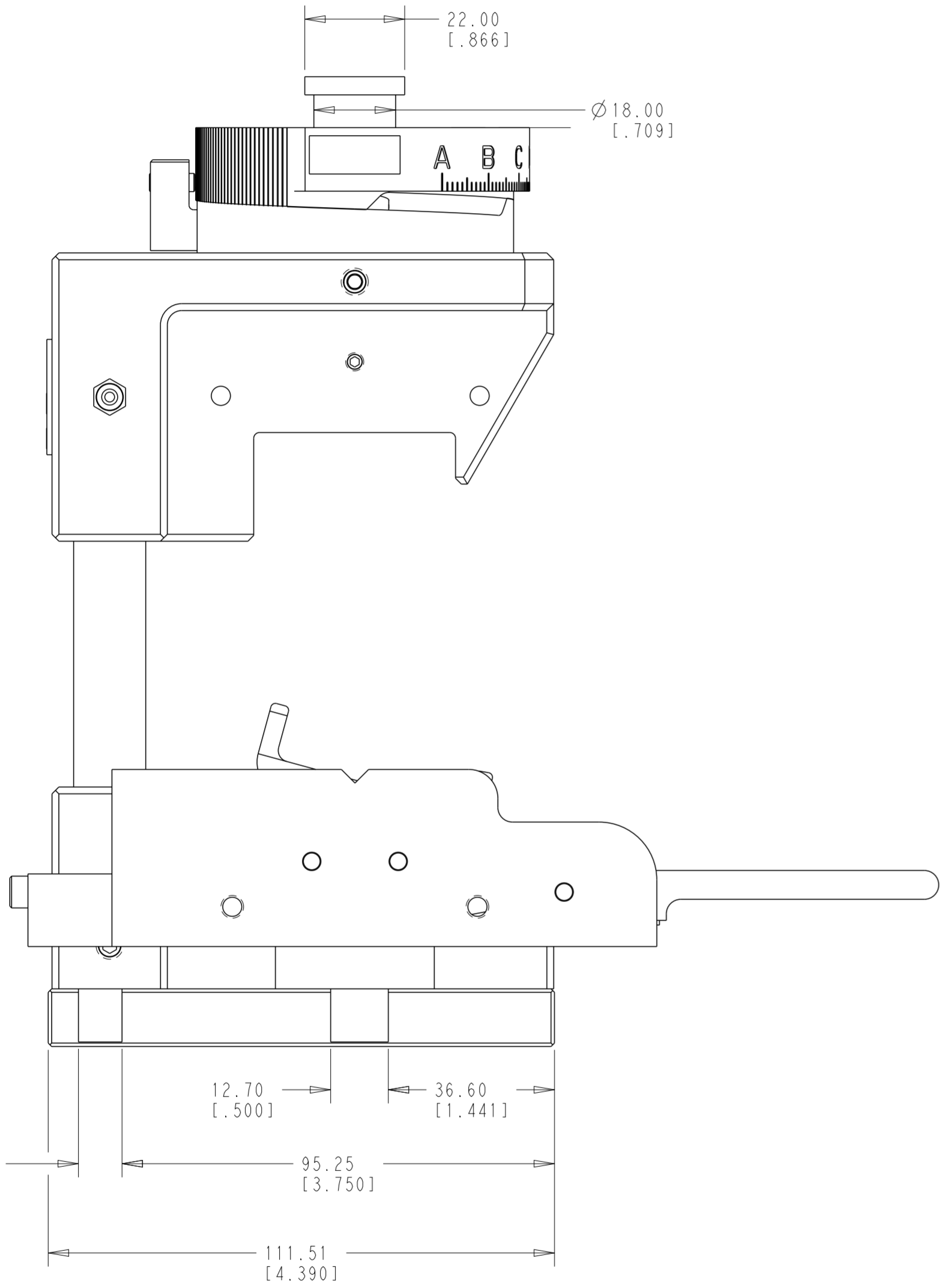


PART NUMBER	REV	FIRST USED
2305470-1	F	HV DIE HOLDER USED ON HF 20 OR HV 20

REVISIONS					
P	LTR	DESCRIPTION	DATE	DWN	APVD
	D	RELEASED	13JUL2020	KH	YY
	F	ECR-20-014458	21OCT2020	EP	CK
	F1	ECR-21-006433	22JUN2021	JWC	TE



THIS DRAWING IS A CONTROLLED DOCUMENT.

DWN	K HUANG	08JUL2020
CHK	Y YIN	08JUL2020
APVD	Y YIN	08JUL2020

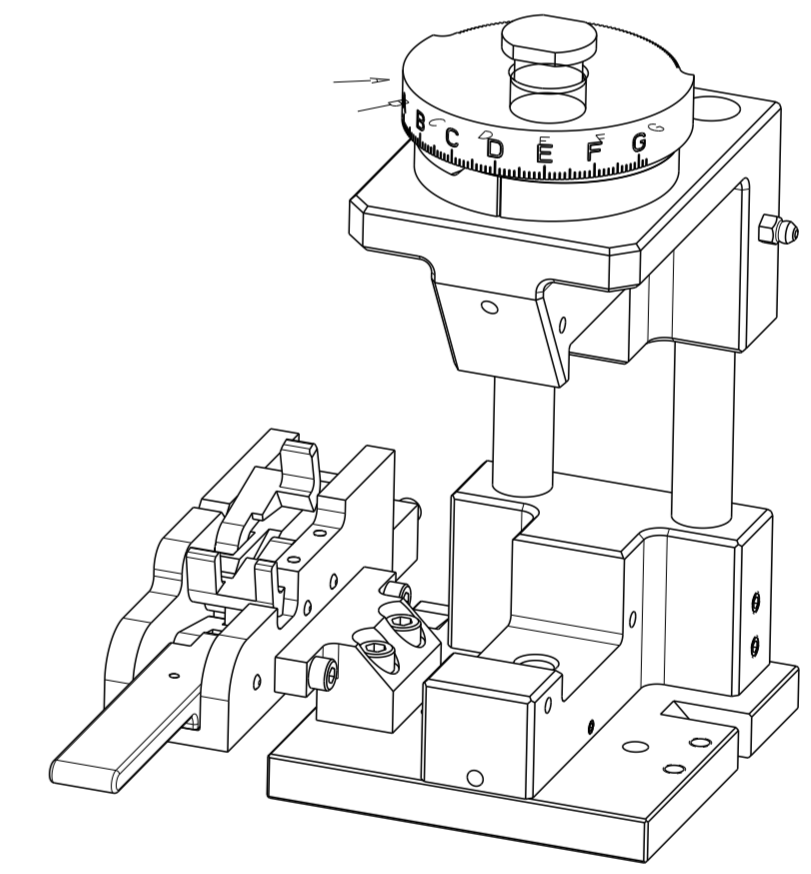
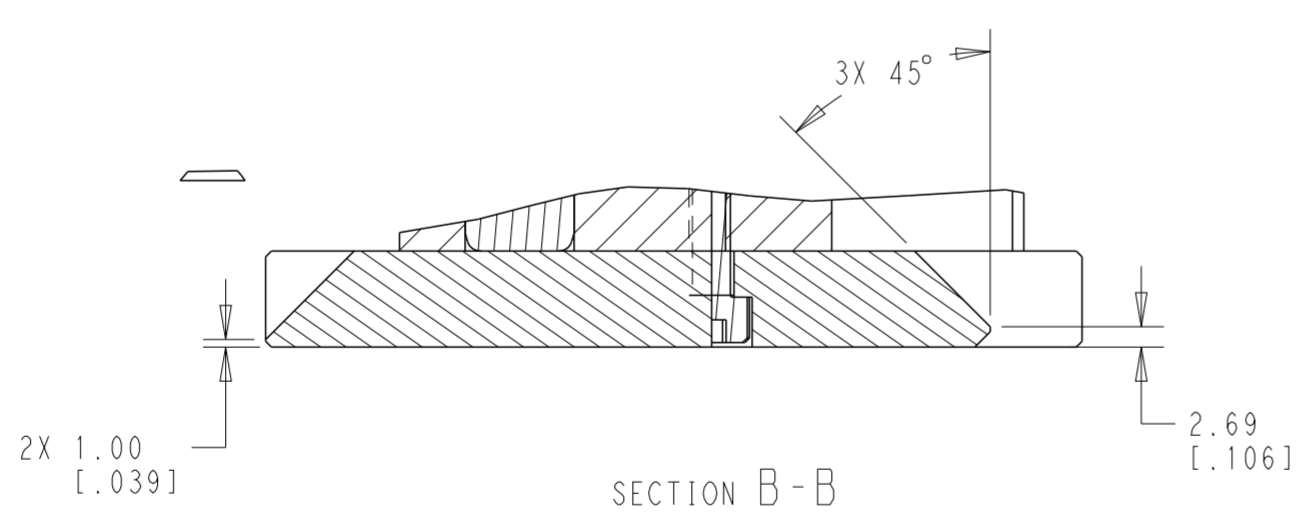
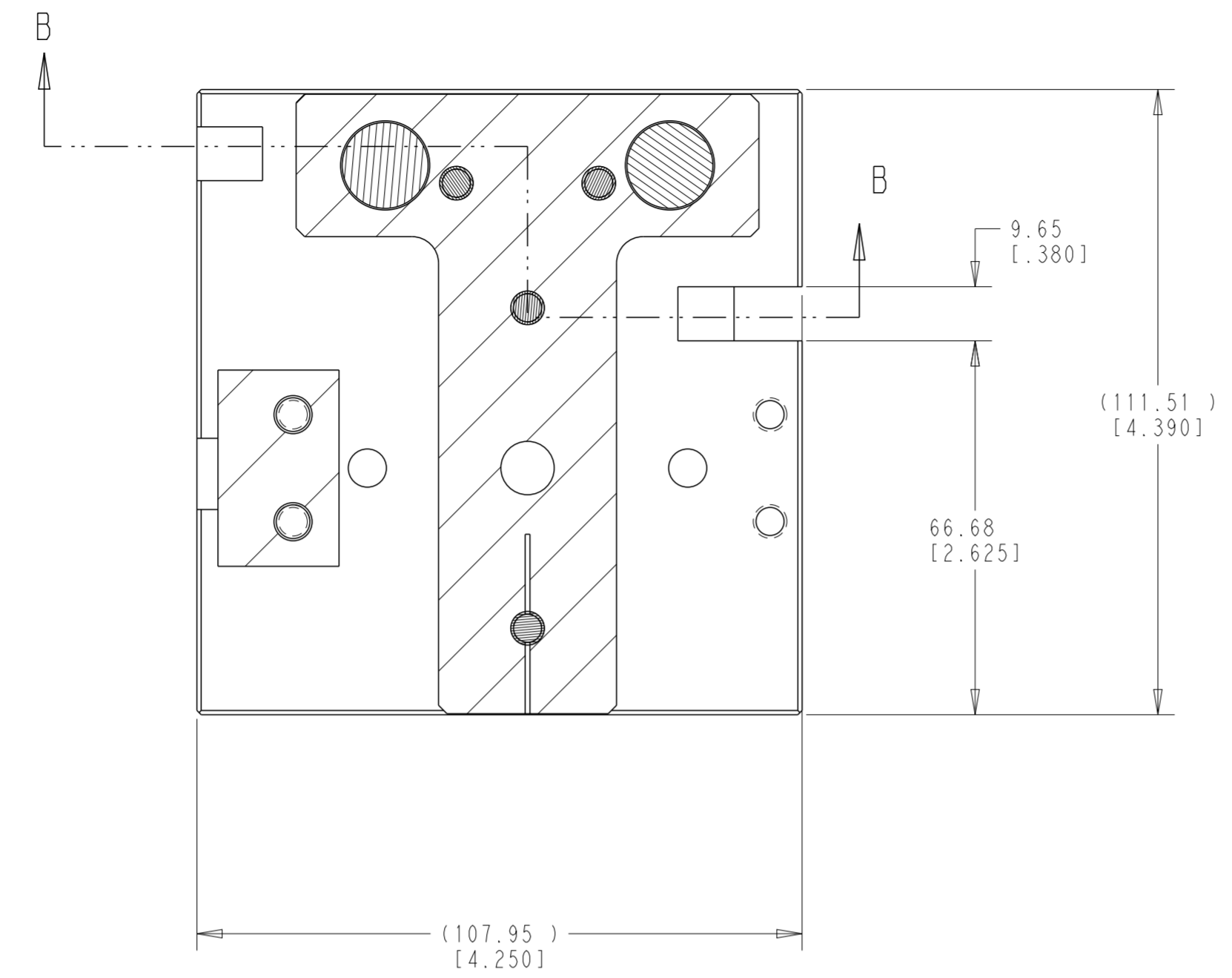
STE TE Connectivity


NAME HV MODULAR DIE HOLDER WITH FINE ADJUST

SIZE	A2	CAGE CODE	00779	DRAWING NO	C-2305470	RESTRICTED TO	-
SCALE	1:1	SHEET	1	OF	2	REV	F1

CUSTOMER DRAWING

REVISIONS				
P	LTR	DESCRIPTION	DATE	APVD
		SEE SHEET 1		



THIS DRAWING IS A CONTROLLED DOCUMENT.		DWN K HUANG 08 JUL 2020	 TE Connectivity		
DIMENSIONS: mm		CHK Y YIN 08 JUL 2020			
TOLERANCES UNLESS OTHERWISE SPECIFIED: 0 PLC ± 1 PLC ±0.1 2 PLC ±0.02 3 PLC ± 4 PLC ± ANGLES ±0° 30' FINISH		APVD Y YIN 08 JUL 2020	NAME HV MODULAR DIE HOLDER WITH FINE ADJUST		
MATERIAL		PRODUCT SPEC	SIZE A2	CAGE CODE 00779	DRAWING NO G-2305470
		APPLICATION SPEC	RESTRICTED TO		
		WEIGHT	SCALE 1:1 SHEET 2 OF 2 REV F1		
		CUSTOMER DRAWING			

单击下面可查看定价，库存，交付和生命周期等信息

[>>TE Connectivity\(泰科\)](#)