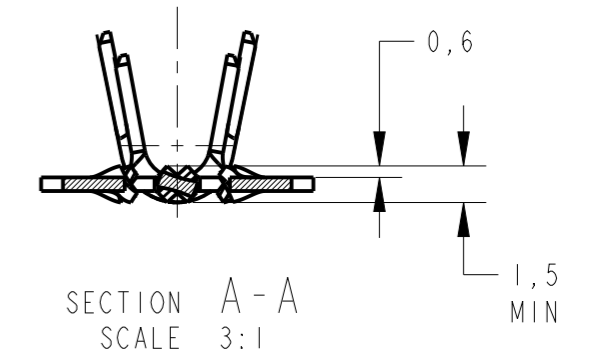
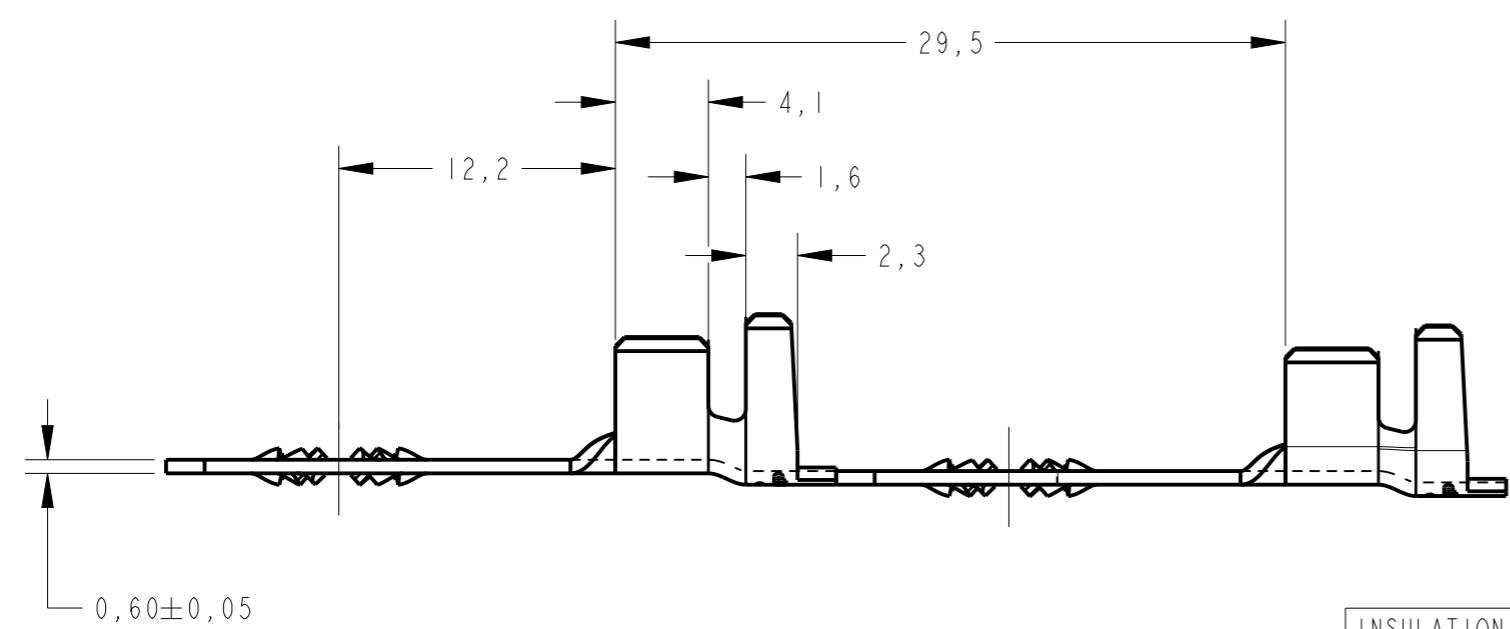
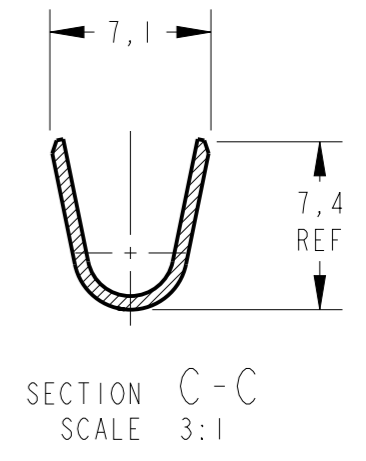
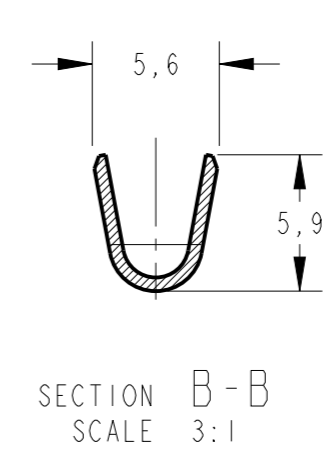
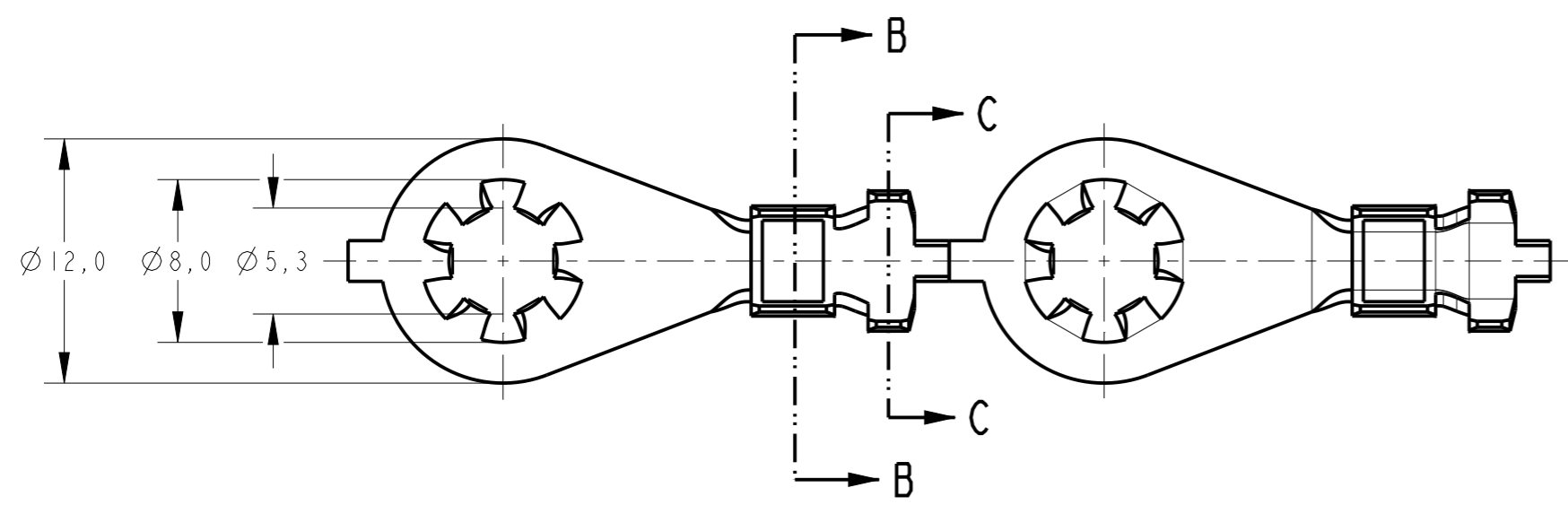


THIS DRAWING IS UNPUBLISHED. RELEASED FOR PUBLICATION 20  
 © COPYRIGHT 20 BY - ALL RIGHTS RESERVED.

**creo**  
 Creo Parametric 2.0  
**DO NOT REVISE  
 EXCEPT BY CAD**

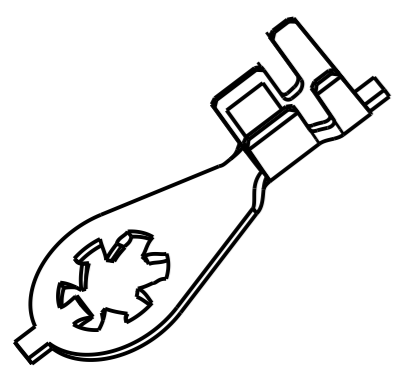
REVISIONS					
P	LTR	DESCRIPTION	DATE	DWN	APVD
	A	REDRAW BY CAD ECO-14-008287	26JUN2014	NCL	LWP



**1** - OBSOLETE PARTS: OBSOLETE CIS STREAMLINING PER D.RENAUD/D.SINISI

INSULATION RANGE	Ø 3,2-4,3
WIRE RANGE	4,0-6,0mm <sup>2</sup>

ESTANHADO	BRONZE FOSF/BRONZE PHOSP	444025-4
—	BRONZE FOSF/BRONZE PHOSP	444025-3
ESTANHADO	LATÃO/BRASS	444025-2 <b>1</b>
—	LATÃO/BRASS	444025-1
FINISH	MATERIAL	PART NUMBER



PERSPECTIVE VIEW  
 SCALE 2:1

THIS DRAWING IS A CONTROLLED DOCUMENT.	
DIMENSIONS: mm	TOLERANCES UNLESS OTHERWISE SPECIFIED:
	0 PLC ±-
	1 PLC ±0,2
	2 PLC ±0,1
	3 PLC ±-
	4 PLC ±-
	ANGLES ±30'
MATERIAL SEE TABLE	FINISH SEE TABLE

DWN NCLAPRESA 26JUN2014	<b>STE</b> TE Connectivity	
CHK FCFORTUNATO 26JUN2014		
APVD LWPRADO 26JUN2014	NAME	
PRODUCT SPEC	RING TONGUE (ANTIROTATIONAL)	
APPLICATION SPEC	SIZE A3	CAGE CODE
WEIGHT	RESTRICTED TO	DRAWING NO C-444025
Customer Drawing	SCALE 3:1	SHEET 1 OF 1
		REV A

单击下面可查看定价，库存，交付和生命周期等信息

[>>TE Connectivity\(泰科\)](#)