

4

3

2

1

THIS DRAWING IS UNPUBLISHED.

RELEASED FOR PUBLICATION

20

© COPYRIGHT 20

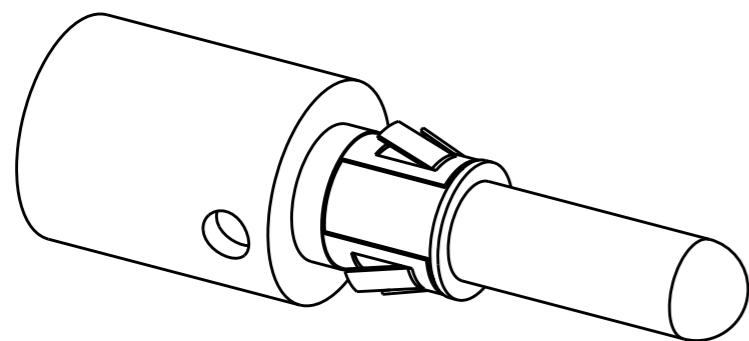
BY TYCO ELECTRONICS CORPORATION. ALL INTERNATIONAL RIGHTS RESERVED.

LOC
GP

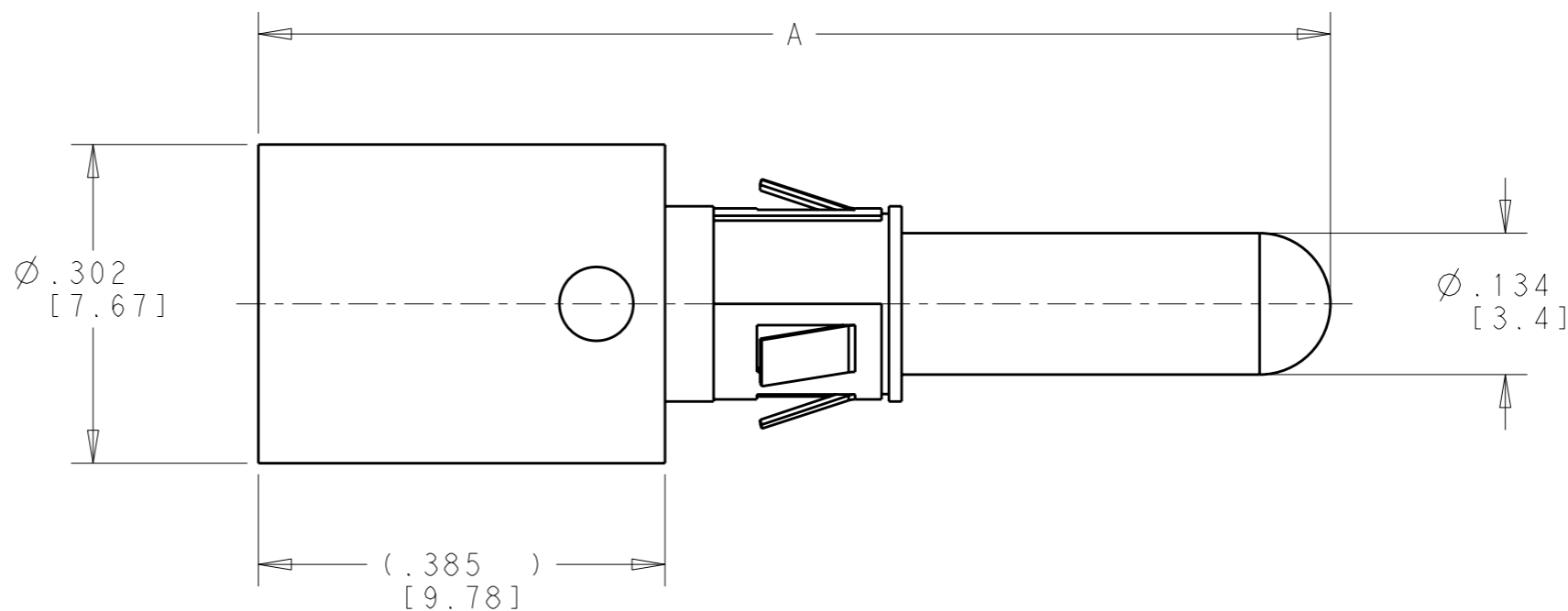
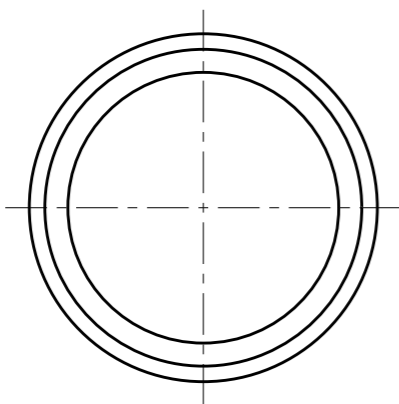
DIST
00

REVISIONS

P	LTR	DESCRIPTION	DATE	DWN	APVD
	A	RELEASED PER ECO-10-010387	24MAY2010	RG	DO



SCALE 4:1



1 MATERIAL:
 PIN BODY: COPPER ALLOY
 RETENTION CLIP: STAINLESS STEEL

2 FINISH:
 PIN BODY: GOLD PLATE .000030 (0.76µm) MIN THK GOLD OVER
 .000050 (1.27µm) MIN THK NICKEL

3. WIRE BARREL WILL ACCEPT No. 6 AWG WIRE

4. MATES WITH P/N 1986611-1

1.015 [25.8]	1986605-2
.975 [24.8]	1986605-1
DIM "A"	PART NO.

THIS DRAWING IS A CONTROLLED DOCUMENT FOR TYCO ELECTRONICS CORPORATION IT IS SUBJECT TO CHANGE AND THE CONTROLLING ENGINEERING ORGANIZATION SHOULD BE CONTACTED FOR THE LATEST REVISION.		DWN R. GRZYBOWSKI 15DEC2009	Tyco Electronics Harrisburg, PA 17105-3608	
DIMENSIONS: INCHES [mm]		CHK G. STEINHAUER 15DEC2009	NAME PIN, POWER MODIFIED No.6 AWG	
TOLERANCES UNLESS OTHERWISE SPECIFIED:		APVD M. PERCHERKE 15DEC2009	PRODUCT SPEC -	
0 PLC ±-		APPLICATION SPEC -		
1 PLC ±-		WEIGHT -		
2 PLC ±.02 [0.5]		SIZE A3		
3 PLC ±.010 [0.25]		CAGE CODE 00779		
4 PLC ±-		DRAWING NO C-1986605		
ANGLES ±-		RESTRICTED TO -		
MATERIAL -	FINISH 1	SCALE 6:1		
CUSTOMER DRAWING		SHEET 1 OF 1		
		REV A		

单击下面可查看定价，库存，交付和生命周期等信息

[>>TE Connectivity\(泰科\)](#)