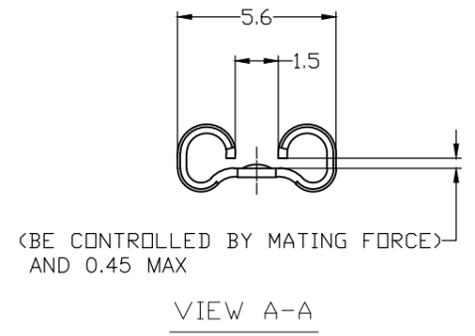
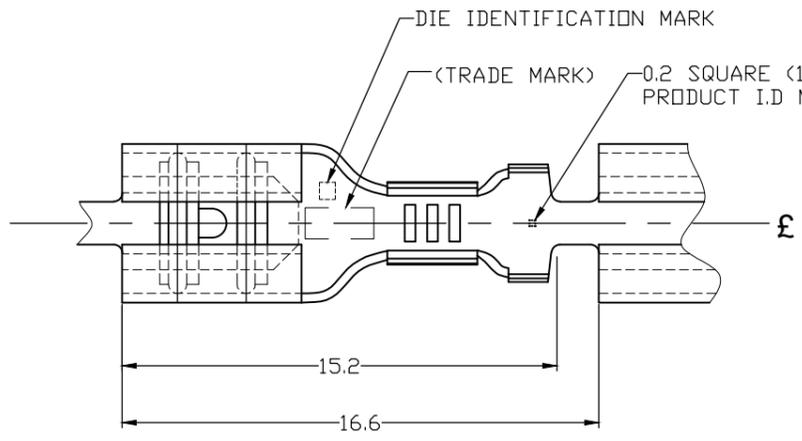


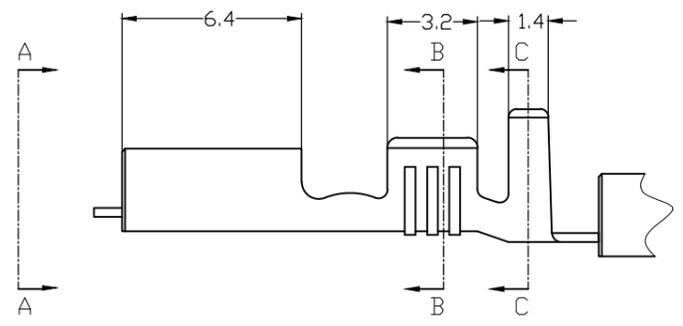
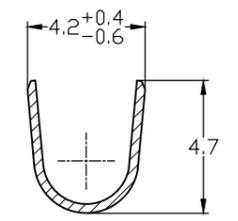
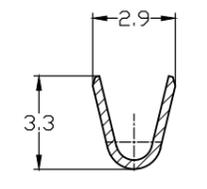
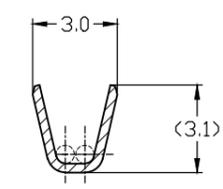
THIS DRAWING IS UNPUBLISHED. RELEASED FOR PUBLICATION  
 © COPYRIGHT - By - ALL RIGHTS RESERVED.

LOC	DIST	REVISIONS					
		P	LTR	DESCRIPTION	DATE	DWN	APVD
J	-	#	L2	REVISED PER ECR-20-009164	14AUG2020	MK	DH



NOTE:

- MATING TAB THICKNESS IS 0.53-0.48
- STRESS RELIEVING  
 FINISH IS SUBJECT TO CHANGE BY THE TYPE OF STRESS RELIEVING PROCESS  
 \* INERT GAS FURNACE.....MATTE  
 \* ATMOSPHERIC FURNACE FOLLOWING BY ACID PICKLE...BRIGHT



MATING TAB THK.	PRODUCT SPEC NO.	L.P P/N	MATERIAL	FINISH	P/N
	108-5178	—#—	BRASS 0.32t	ELECTRICAL TIN PLATED WITHOUT STRESS RELIEVE	170037-9
	108-5178	—#—	BRASS 0.32t	ELECTRICAL TIN PLATED	170037-6
	108-5178	170038-5	PRE-TIN BRASS		170037-5
	108-5178	170038-4	PHOSBRD 0.32t	ELECTRICAL TIN PLATED	170037-4
	108-5178	170038-3	PHOSBRD 0.32t	—#— $\Delta$	170037-3
	108-5178	170038-2	BRASS 0.32t	ELECTRICAL TIN PLATED	170037-2
0.53-0.48	108-5008	170038-1	BRASS 0.32t	—#— $\Delta$	170037-1

WIRE RANGE 0.5~1.42 mm <sup>f</sup> (AWG #20~#16)	THIS DRAWING IS A CONTROLLED DOCUMENT.	
INSULATION DIA 2.29~3.3	DIMENSIONS: 単位: 耗 mm	TOLERANCES UNLESS OTHERWISE SPECIFIED: 一般公差
TOLERANCES ±0.4	MATERIAL 材料 SEE TABLE	FINISH 仕上 SEE TABLE

DWN LI HELEN 27AUG2004	<b>STE</b> TE Connectivity	
CHK Mikio Shindo 30 Aug. 04		
APVD Mikio Shindo 30 Aug. 04	NAME 名称	
PRODUCT SPEC 製品規格 108-5008	187 SERIES FASTON RECEPTACLE	
APPLICATION SPEC 取付適用規格 114-5084	SIZE A3	CAGE CODE 00779
WEIGHT 0.35g/ea	DRAWING NO 番号 C-170037	RESTRICTED TO —
CUSTOMER DRAWING	SCALE 尺度 4:1	SHEET 1 OF 1
		REV L2

单击下面可查看定价，库存，交付和生命周期等信息

[>>TE Connectivity\(泰科\)](#)