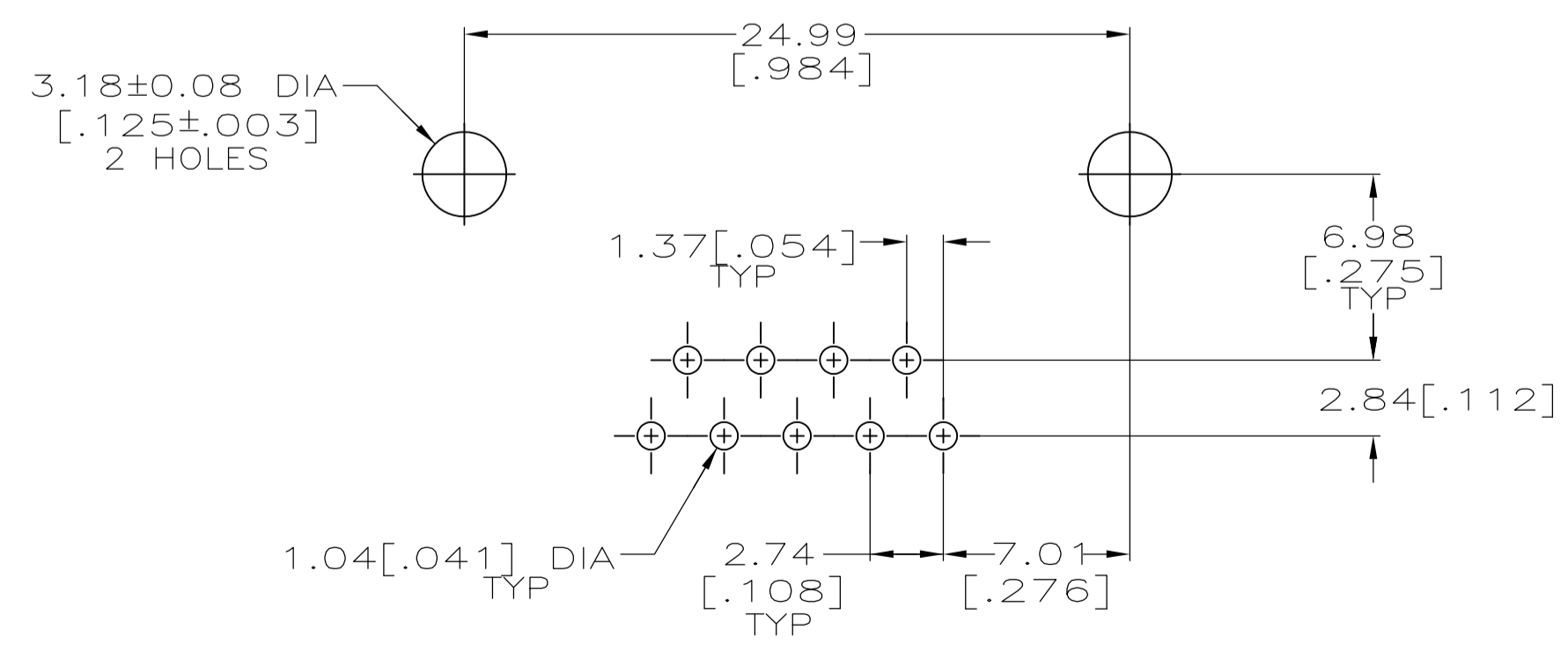
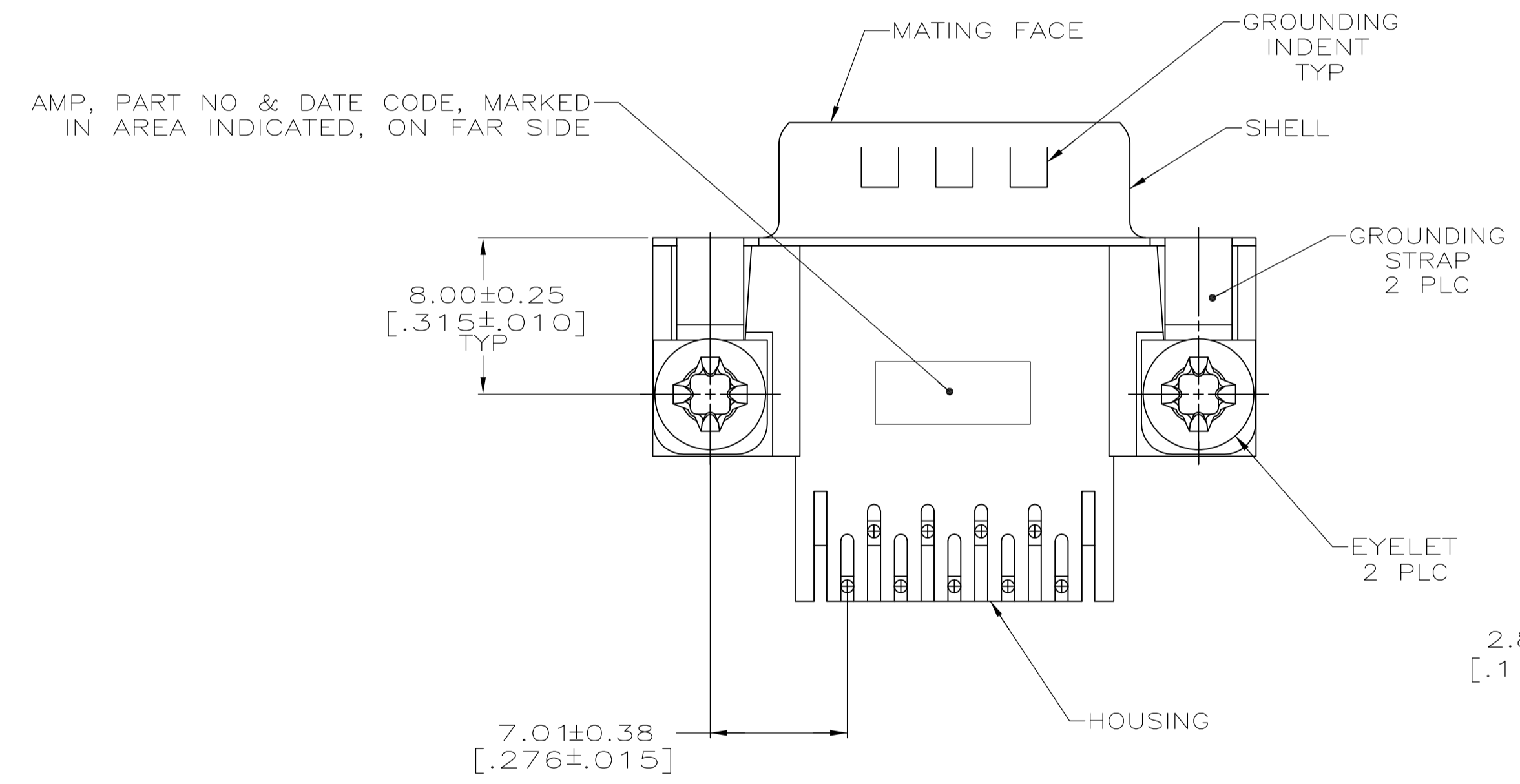
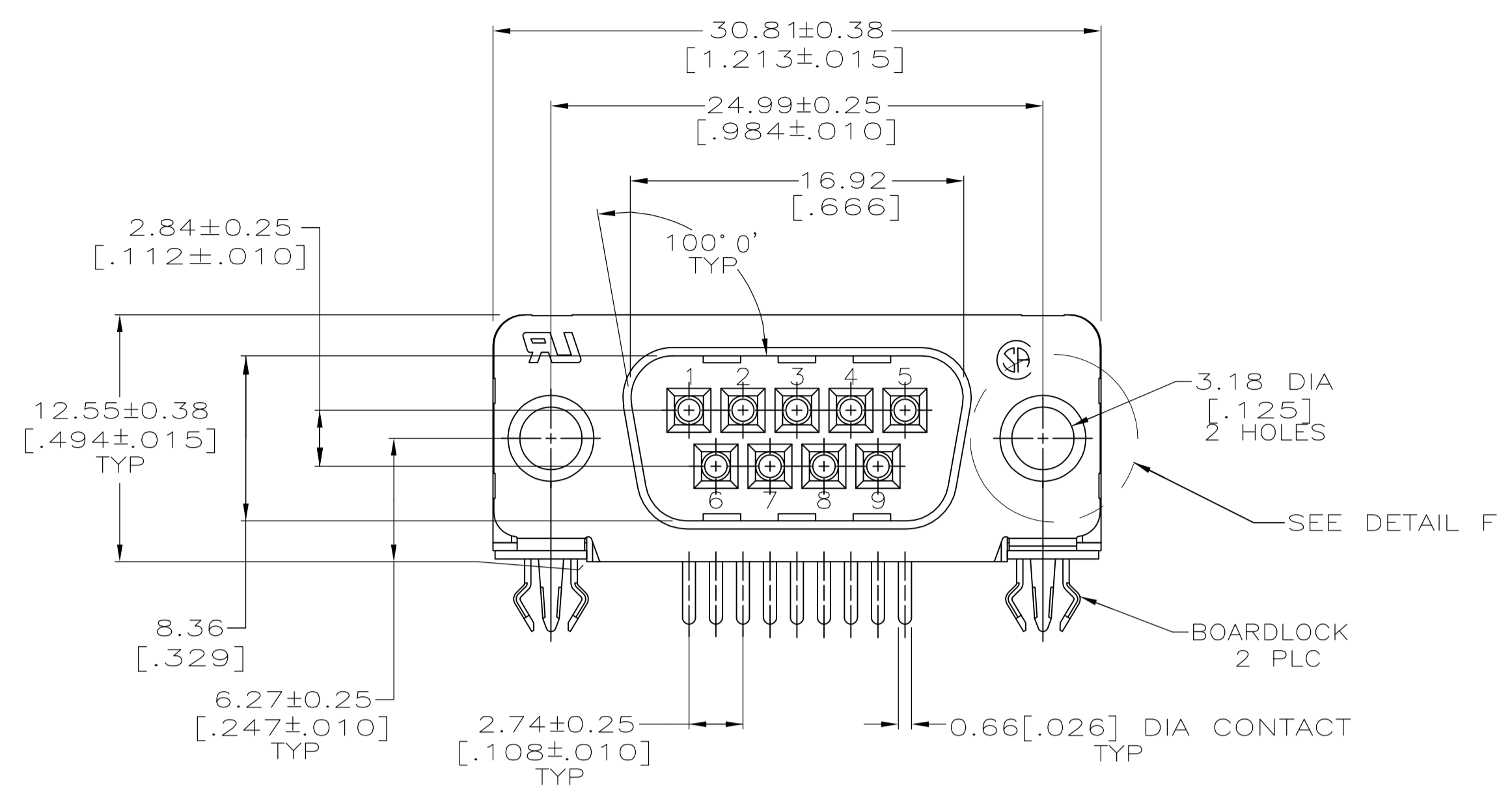


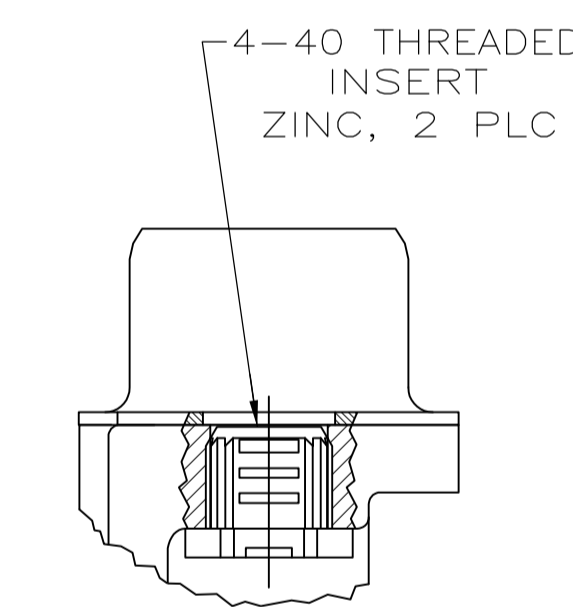
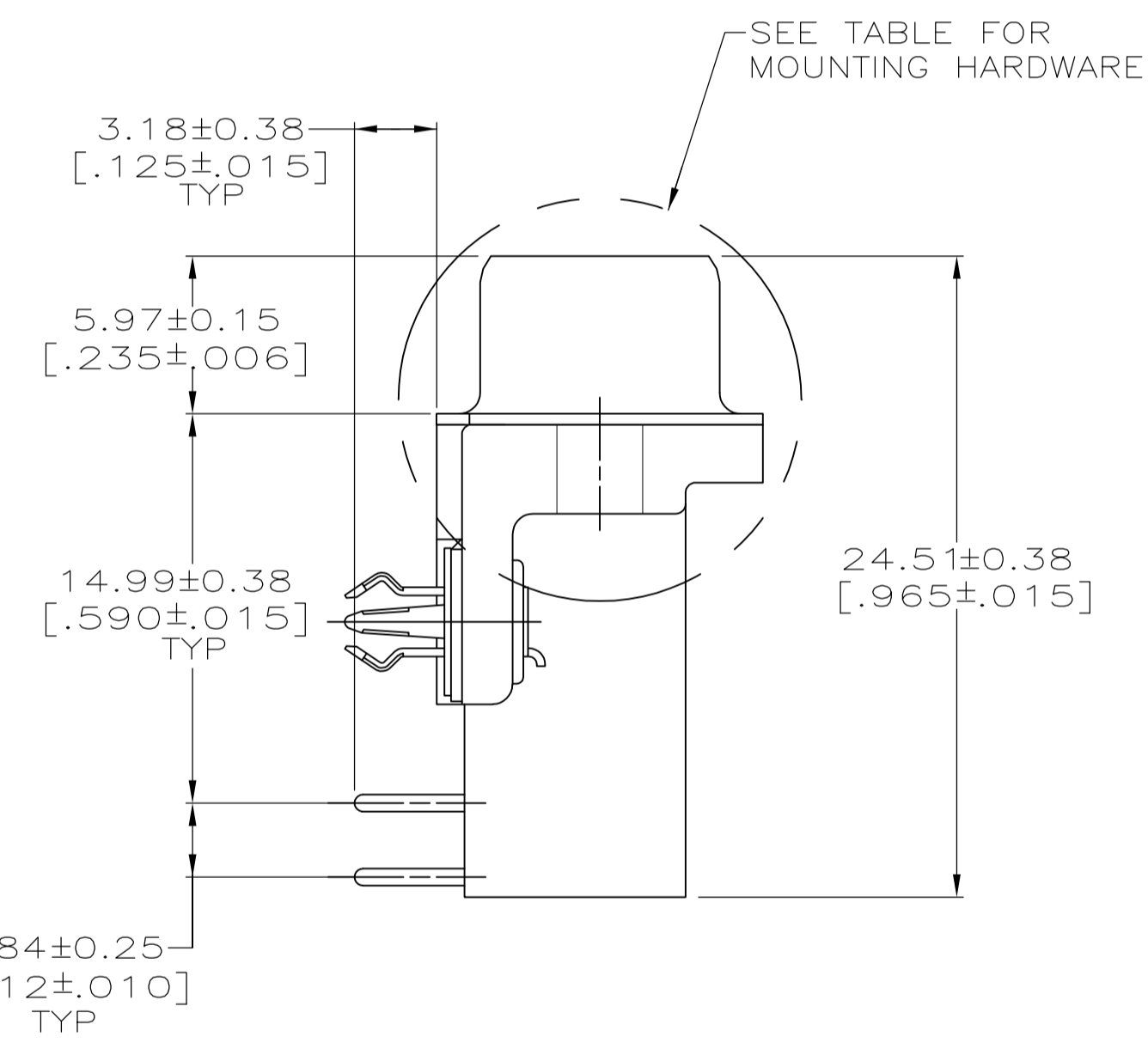
FOR -5 AND -6 ONLY

DETAIL F  
2 PLC

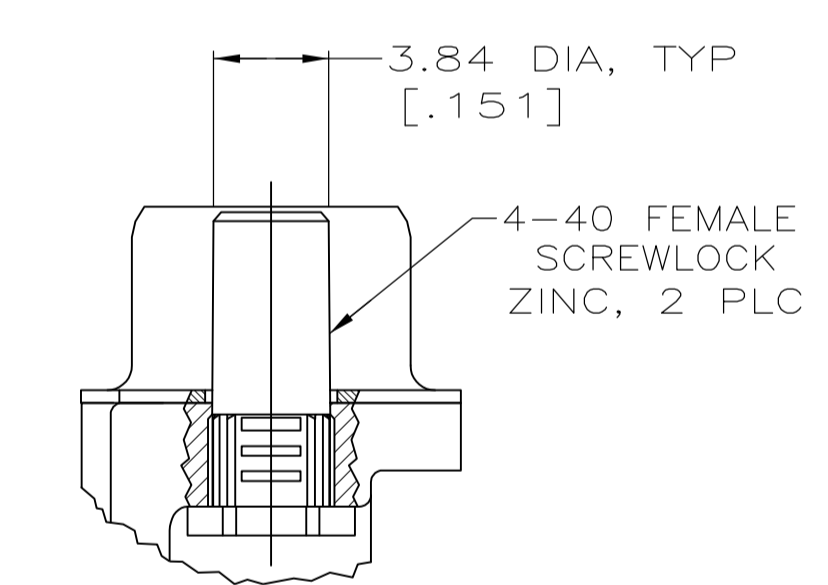


P.C. BOARD MOUNTING DIMENSIONS  
 P.C. BOARD THICKNESS: 1.57 [.062]

- ① HOUSING: NYLON OR POLYESTER, FLAME RETARDANT 94V-0 RATED, GLASS FILLED, BLACK  
 SHELLS: STEEL  
 CONTACTS: BRASS  
 BOARDLOCKS: COPPER ALLOY  
 EYELETS: BRASS
- ② SHELLS: 2.54µm [.000100] MIN TIN OVER 1.27µm [.000050] MIN COPPER.  
 EYELETS: 5.08µm [.000200] MIN TIN OVER COPPER FLASH.  
 INSERTS AND SCREWLOCKS: CLEAR CHROMATE.  
 CONTACTS AND BOARDLOCKS: SEE TABLE.
- ③ GOLD FLASH ON THE MATING SURFACES, 2.54µm [.000100] MIN TIN OR TIN-LEAD PLATE ON THE SOLDER END, 1.27µm [.000050] MIN NICKEL UNDERPLATE ON THE ENTIRE CONTACT.
- ④ 0.76µm [.000030] MIN GOLD PLATE ON THE MATING SURFACES, 2.54µm [.000100] MIN TIN OR TIN-LEAD PLATE ON THE SOLDER END, 1.27µm [.000050] MIN NICKEL UNDERPLATE ON THE ENTIRE CONTACT  
 -OR-  
 GOLD FLASH OVER PALLADIUM-NICKEL PLATE, 0.76µm [.000030] MIN TOTAL ON THE MATING SURFACES, 2.54µm [.000100] MIN TIN OR TIN-LEAD PLATE ON THE SOLDER END, 1.27µm [.000050] MIN NICKEL UNDERPLATE ON THE ENTIRE CONTACT.
- ⑤ 5.08µm [.000200] MIN TIN-LEAD OVER 1.27µm [.000050] MIN NICKEL.
- ⑥ 5.08µm [.000200] MIN TIN OVER 1.27µm [.000050] MIN NICKEL.
- ⑦ SUPERSEDED BY 747832-2.
- ⑧ SUPERSEDED BY 747832-6.
- ⑨ SUPERSEDED BY 747832-4.
- ⑩ OBSOLETE PART NUMBER.



DETAIL D



DETAIL E

SEE DETAIL D	⑥	④	6-747832-7
SEE DETAIL E	③	④	747832-6
SEE DETAIL D	⑤	③	⑧ 747832-5
-	⑤	④	⑩ 747832-4
-	⑤	④	⑩ 747832-3
-	⑤	④	⑨ 747832-2
-	⑤	④	⑦ 747832-1
MOUNTING HARDWARE	BOARDLOCK FINISH	CONTACT FINISH	PART NUMBER

THIS DRAWING IS A CONTROLLED DOCUMENT. DIMENSIONING AND TOLERANCING PER ASME Y14.5M-2009

W.G. LENKER 16 OCT 89  
 R. STONE 05 FEB 90  
 M.D. GALLOWAY 06 FEB 90

STE TE Connectivity

PLUG ASSEMBLY, SIZE 1, 9 POSITION, RIGHT ANGLE, FRONT METAL SHELL, .590 SERIES, BOARDLOCKS, AMPLIMITE HD-20

108-40025

114-40010

00779 ©=747832

CUSTOMER DRAWING SCALE 4:1 SHEET 1 OF 1 REV U

单击下面可查看定价，库存，交付和生命周期等信息

[>>TE Connectivity\(泰科\)](#)