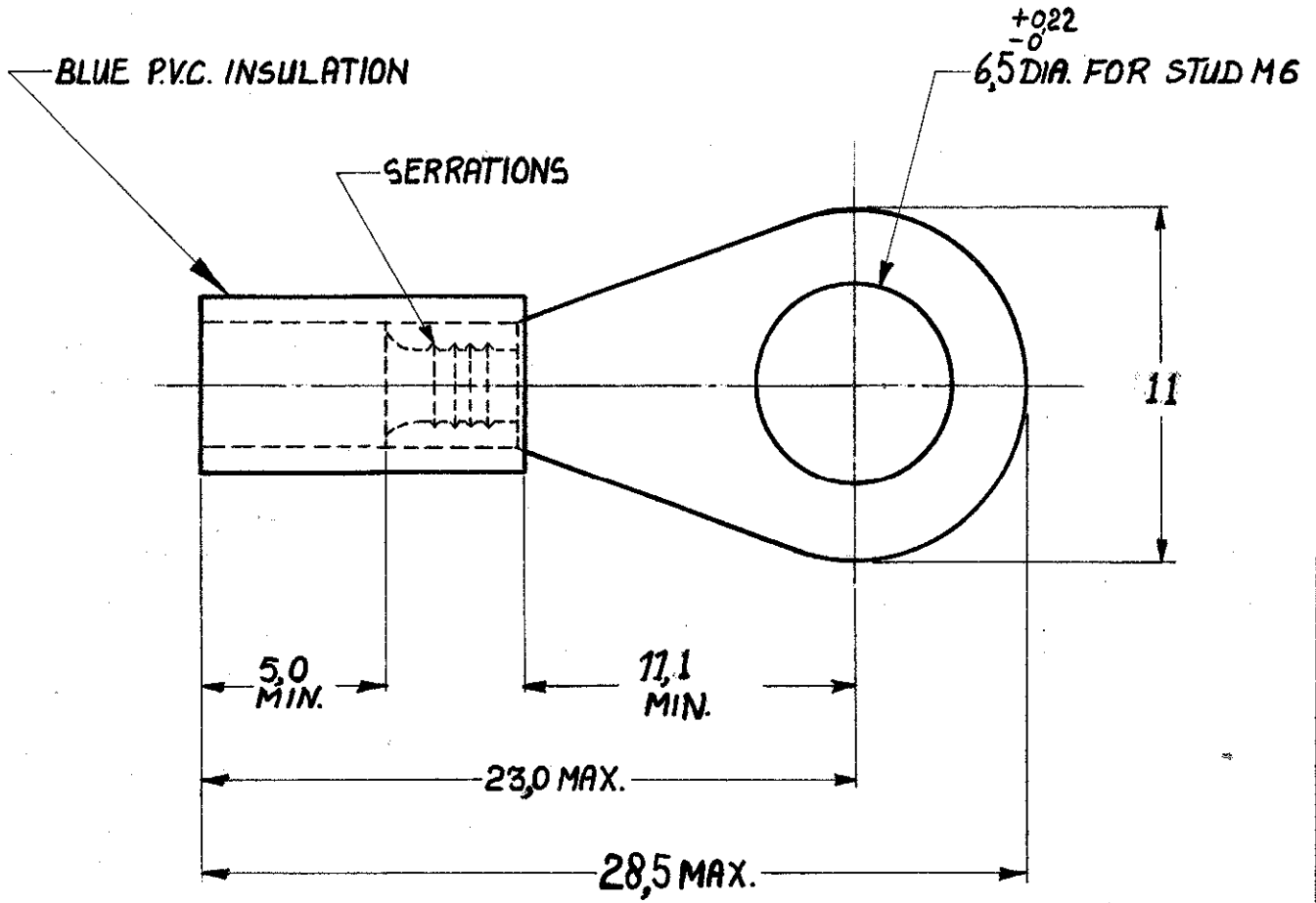


NUMBER C-165410-E



TONGUE MATERIAL THICKNESS: 0,8

CUSTOMER COPY FOR REFERENCE ONLY

©1970 BY AMP-HOLLAND N.V. ALL RIGHTS RESERVED A-MP PRODUCTS COVERED BY PATENTS AND/OR PATENTS PENDING.



AMP-HOLLAND N.V.
's-HERTOGENBOSCH
HOLLAND

165410 COPPER TIN

WIRE-RANGE 15-25 mm² INSUL.-RANGE 3,9 DIA. MAX TYPE DIN PLASTI-GRIP

ORDER NO. MATERIAL PLATING

SCALE 4:1 LOC H SIZE A NO C-165410-E REV D

DR R. J. Sijse 2/11-70 DE DATE DATE
CHK DATE APP 6/11-70 DATE

NAME INCI II ATFD RINGTONGUE for stud M6

REV B 30-8-85 DIMENSIONS IN M.M. DO NOT SCALE PRINT

单击下面可查看定价，库存，交付和生命周期等信息

[>>TE Connectivity\(泰科\)](#)