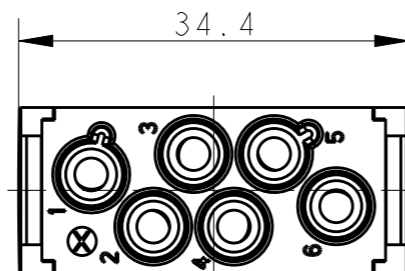
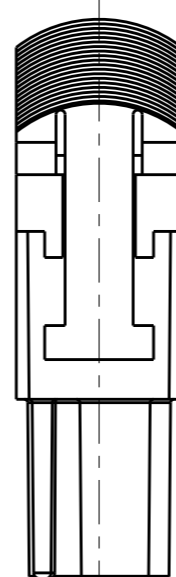
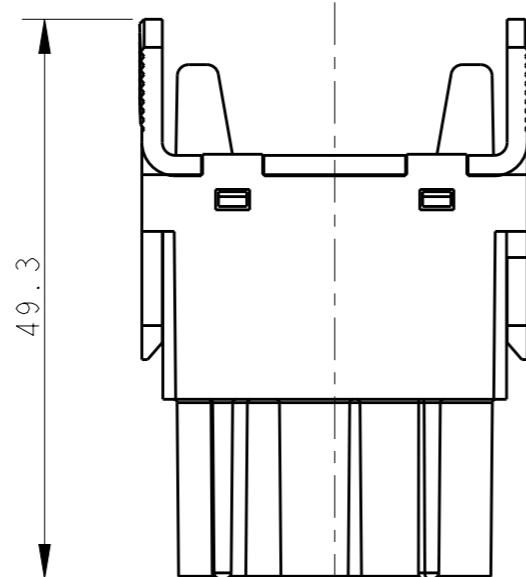
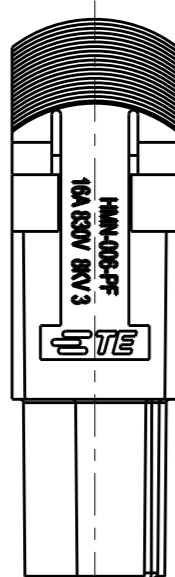
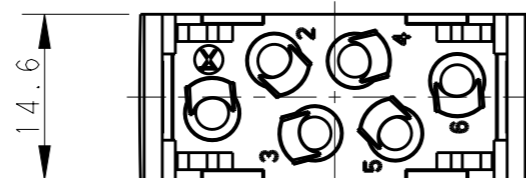
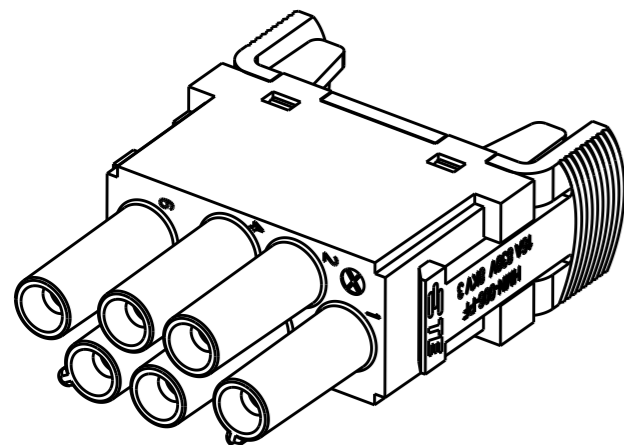


THIS DRAWING IS UNPUBLISHED. RELEASED FOR PUBLICATION 20
 © COPYRIGHT 20 BY - ALL RIGHTS RESERVED.

REVISIONS

P	LTR	DESCRIPTION	DATE	DWN	APVD
	B	INITIAL	19SEP2017	YC	CW



NOTES:

- TECHNICAL CHARACTERISTICS:
 INSULATION MATERIAL: PC
 RATED VOLTAGE: 830V
 RATED CURRENT: 16A
 INSULATION RESISTANCE: $\geq 400M\Omega$
 RATED IMPULSE VOLTAGE: 8KV
 POLLUTION DEGREE: 3
 FLAMMABILITY: UL94V-0
 MATING CYCLES: 500 CYCLES
 WIRE RANGE: 0.14~4 mm² (26~12 AWG)
 CONTACT TYPE: CRIMP CONTACT
- CONTACT NEED TO BE ORDERED SEPARATELY.
 (ORDER No. REFER TO DRAWING: T20300X20XX000)

注释:

- 技术参数:
 绝缘材料: PC
 额定电压: 830V
 额定电流: 16A
 绝缘电阻: $\geq 400M\Omega$
 额定脉冲电压: 8KV
 污染等级: 3
 阻燃等级: UL94V-0
 插拔次数: 500次
 接线范围: 0.14~4 mm² (26~12 AWG)
 接线类型: 冷压接
- 端子需要单独订购。
 (订货号参考图面: T20300X20XX000)

T2111063201-007	HMN-006-PF	HMN-006 FEMALE MODULE INSERT, HV HMN-006 高压模块母插
PART NUMBER 料号	PART DESCRIPTION 描述	

THIS DRAWING IS A CONTROLLED DOCUMENT.		DWN 19SEP2017 YORK CHEN	TE Connectivity	
DIMENSIONS: mm		CHK 19SEP2017 GINO YAO		
TOLERANCES UNLESS OTHERWISE SPECIFIED:		APVD 19SEP2017 CHRIS WANG	NAME HMN-006-PF	
0 PLC ±- 1 PLC ±- 2 PLC ±- 3 PLC ±- 4 PLC ±- ANGLES ±-		PRODUCT SPEC 108-137120	RESTRICTED TO	
MATERIAL		APPLICATION SPEC 114-137120	SIZE A3	CAGE CODE 00779
FINISH		WEIGHT	DRAWING NO T2111063201007	
-		Customer Drawing	SCALE 3:2	
-			SHEET 1 OF 1	
			REV B	

单击下面可查看定价，库存，交付和生命周期等信息

[>>TE Connectivity\(泰科\)](#)