

DRAWING MADE IN THIRD ANGLE PROJECTION

3

2

1

LOC CM 53 DIST 53

THIS DRAWING IS UNPUBLISHED. RELEASED FOR PUBLICATION . 19
 © COPYRIGHT 19 BY AMP INCORPORATED, HARRISBURG, PA. ALL INTERNATIONAL RIGHTS RESERVED. AMP PRODUCTS MAY BE COVERED BY U.S. AND FOREIGN PATENTS AND/OR PATENTS PENDING.

REVISIONS						
P	F	ZONE	LTR	DESCRIPTION	DATE	APPROVED
✓			O	RELEASE DRAWING PER T.I. 82-82	7-19-82	MSF / RS
✓			A	REVISED M-7087	9-8-82	D.H.
✓			B	REVISED NAME, M-7223	1/3/83	DAS / D.H.
✓			B1	RESTORATION	8-3-85	BT / BT
✓			C	REVISE PER CM-1282	10-26-87	PC / RS
✓			D	REVISE PER CM-1458	1-20-88	PC / RS
✓			E	REVISED PER CM 2704	1-30-90	TB / RS
✓			F	REV PER EC 0730-0054-95	3-30-95	JH / RS

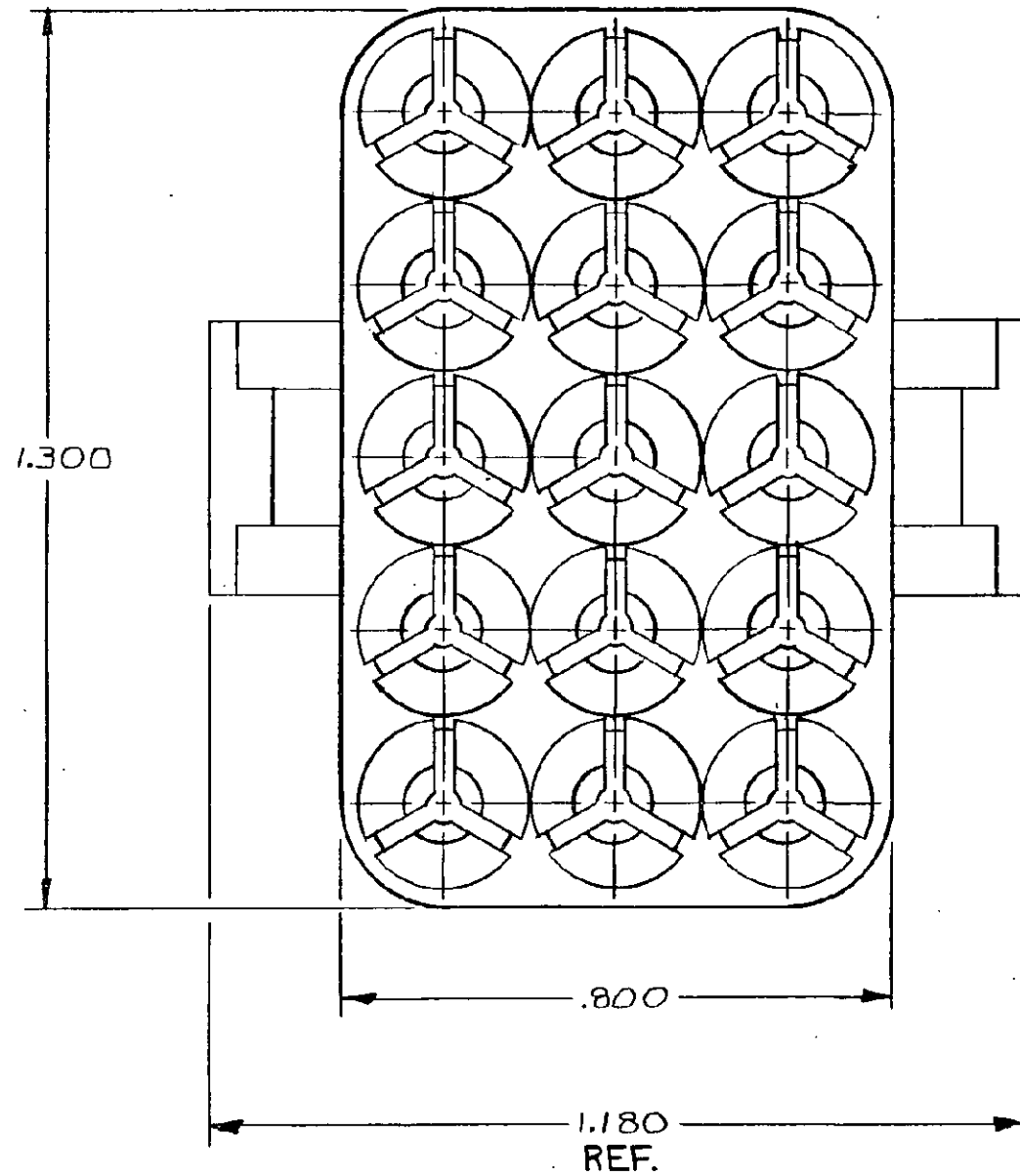
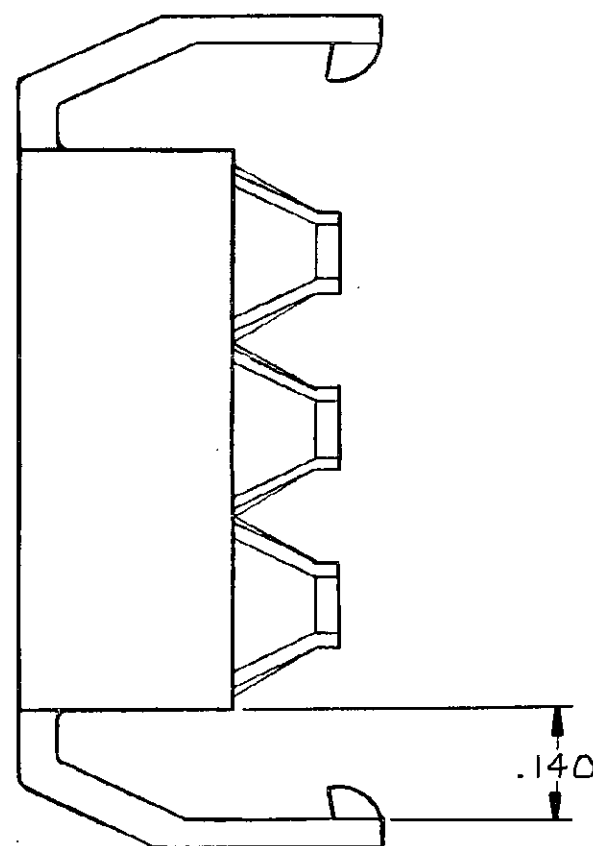
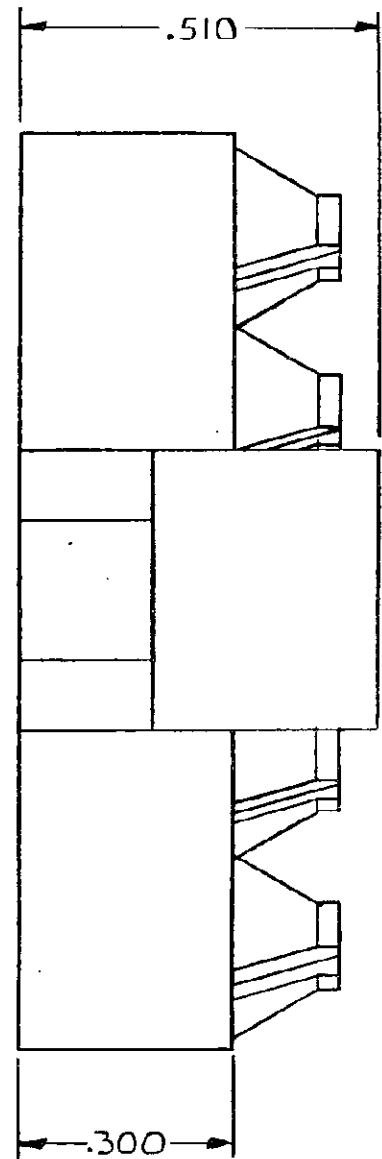
124

D

C

B

A



- ASSEMBLY INSERTIONS:
 SNAP MODULE ONTO HOUSING;
 FULLY INSERT CONTACTS THRU MODULE AND INTO HOUSING (NOTE: SEVERAL CLICKS CAN BE HEARD AS THE CONTACT IS PUSHED IN PLACE);
 DISENGAGE LATCHES ON MODULE AND SLIDE BACK FROM END OF HOUSING;
 CHECK FOR ANY CONTACTS NOT FULLY INSERTED INTO HOUSING; INSERT ANY CONTACTS NOT LOCKED IN HOUSING;
 PUSH MODULE BACK AGAINST HOUSING UNTIL LATCHES ARE ENGAGED.
- MODULE WILL ACCEPT MAXIMUM WIRE OUTSIDE DIA OF .160.

643256-1

PART NO

UNLESS OTHERWISE SPECIFIED DIMENSIONS ARE IN INCHES. TOLERANCES ON: DECIMALS ±.015 ANGLES ±	CONTRACT NO	AMP AMP INCORPORATED Harrisburg, Pa. 17105	
	DR <i>M. Fehan 7-19-82</i>		
MATERIAL NYLON 94V-0	CHK <i>C. H. 7-23-82</i>	NAME ASSEMBLY MODULE, UNIVERSAL MATE-N-LOCK™, 15 CIRCUIT	
	APPD <i>[Signature] 7-26-82</i>	SIZE C	FSCM NO 00779
FINISH ---	DSGN APPD	DRAWING NO 643256	
	OTHER APPD	SCALE 4-1	SHEET ---

单击下面可查看定价，库存，交付和生命周期等信息

[>>TE Connectivity\(泰科\)](#)