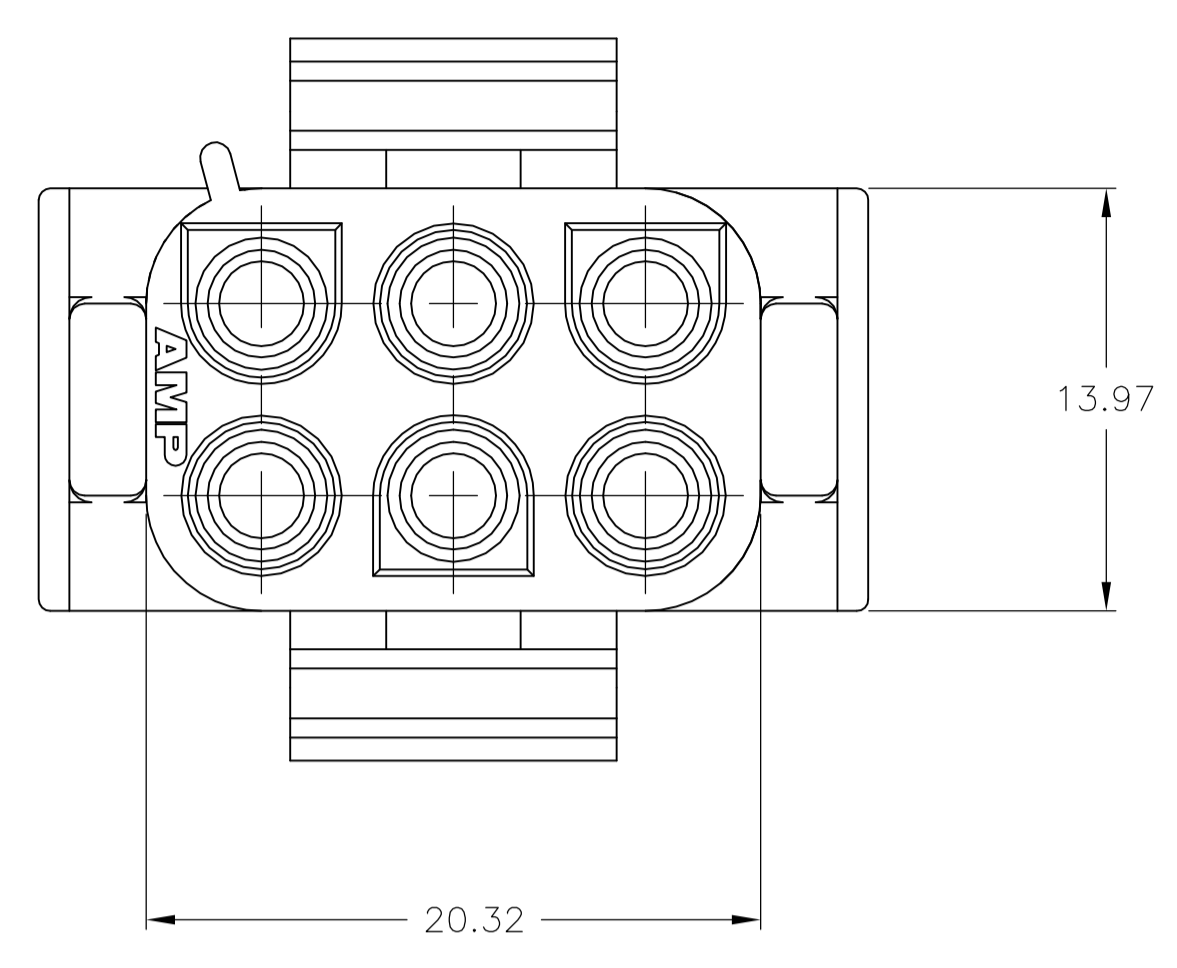
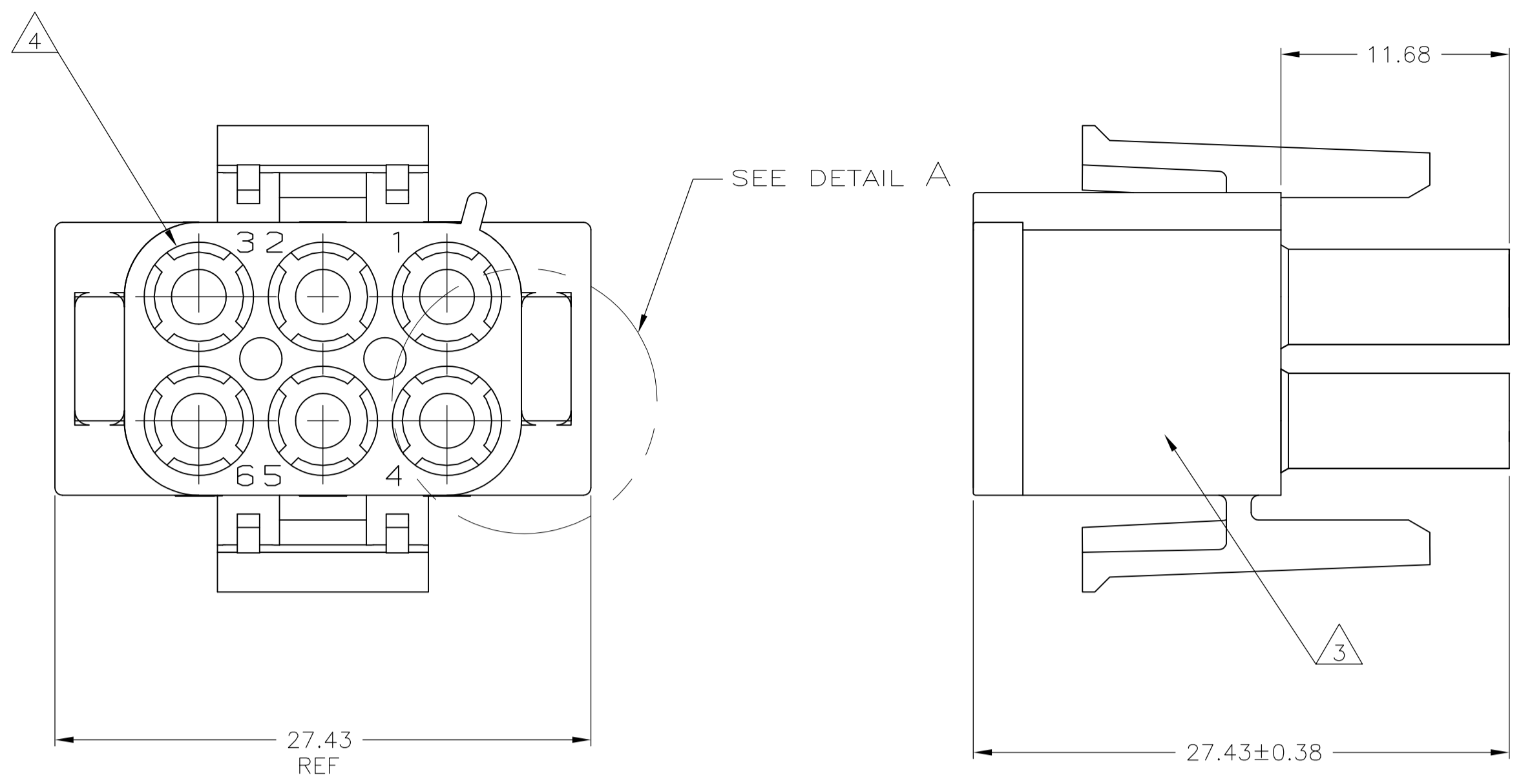
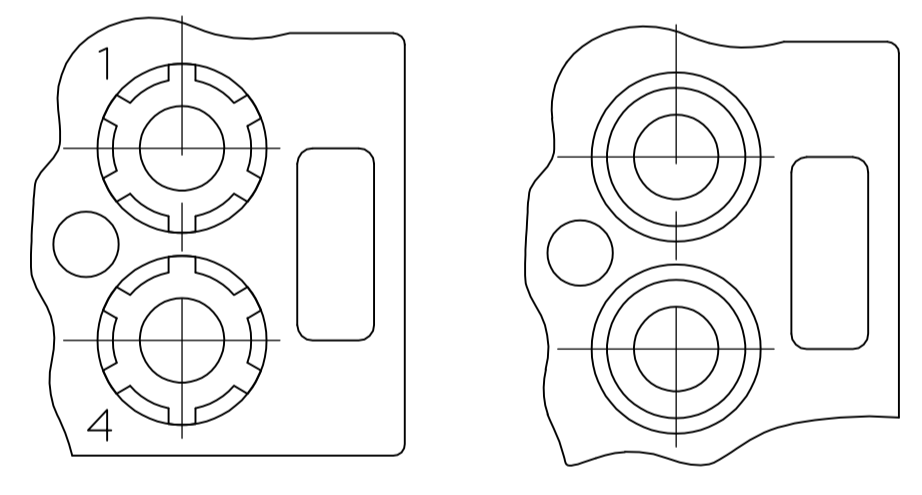
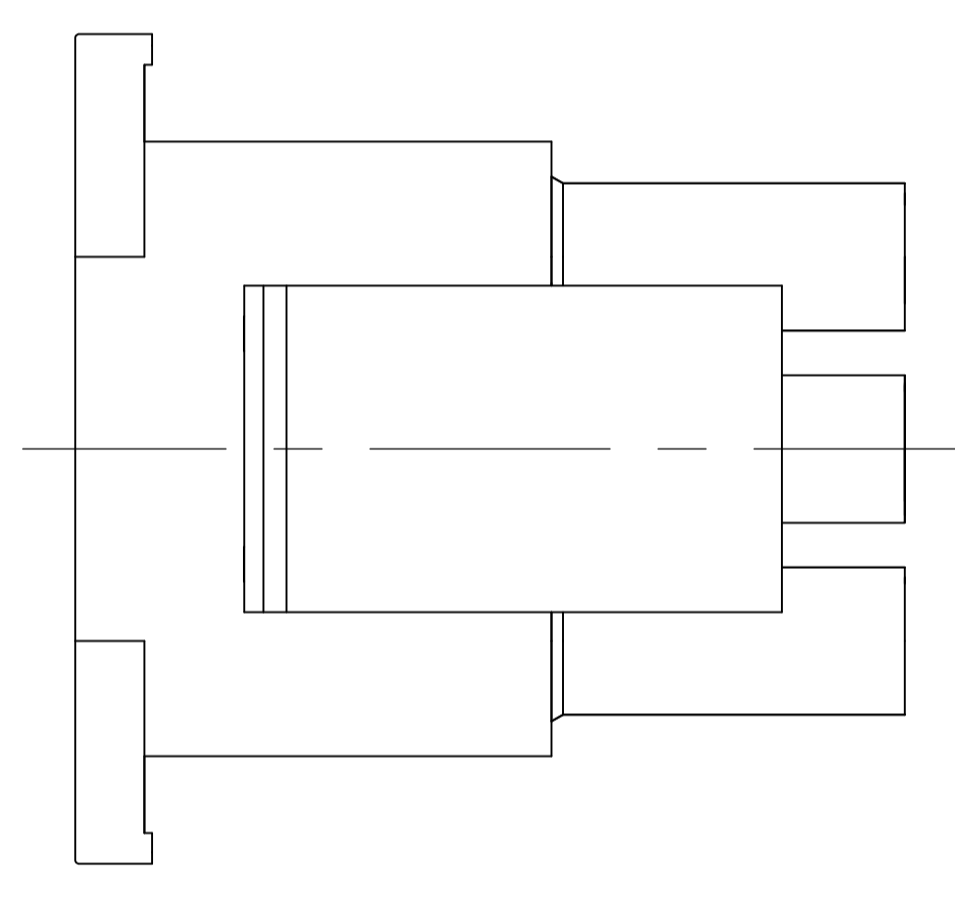


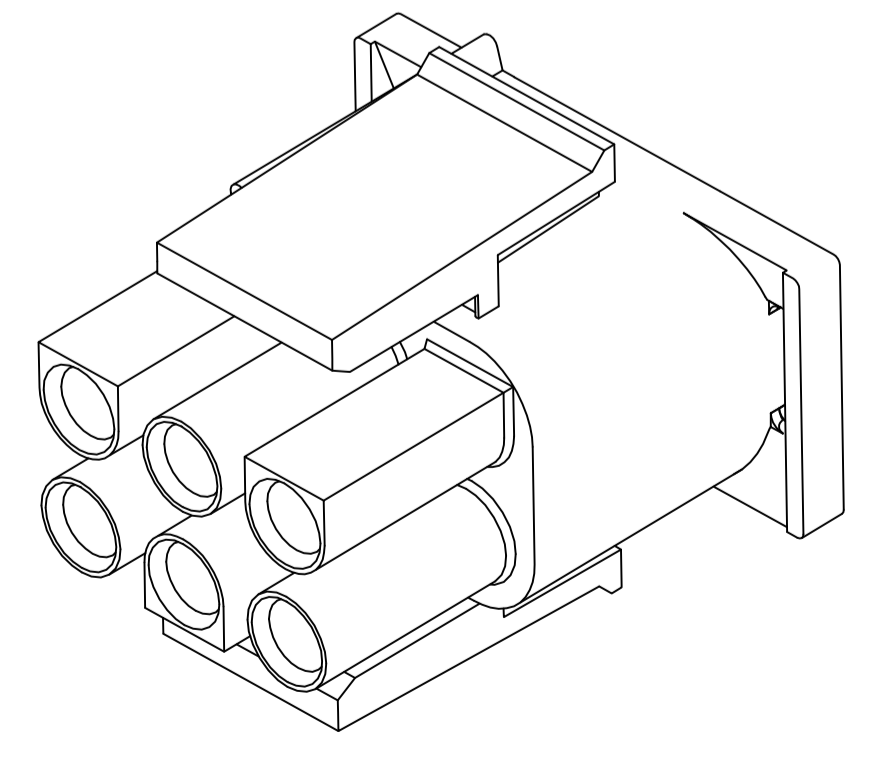
| REVISIONS | | | | | |
|-----------|-----|---------------------------|-----------|-----|------|
| P | LTR | DESCRIPTION | DATE | DMN | APVD |
| A3 | | REVISED PER ECO-17-011927 | 22AUG2017 | RS | KR |



- 1 MATES WITH APPROPRIATE UNIVERSAL MATE-N-LOK™ CAP OR HEADER.
- 2 SMALL NICKS ARE PERMITTED ON THE CIRCUIT TOWERS WHICH COULD INCREASE THE INITIAL HOUSING MATING FORCE BY UP TO 4.4 NEWTON (1.0 LBS). NO INDIVIDUAL NICKED TOWER SHALL INCREASE THIS FORCE BY OVER 2.2 NEWTONS (.5 LBS).
- 3 UNDERWRITER RECOGNIZED COMPONENT LOGO AND CSA CERTIFICATION LOGO TO BE LOCATED ONCE EACH SIDE ON SIDE OF HOUSING.
- 4 FOUR RIBS EQUALLY SPACED, NO SPECIFIC ORIENTATION. NO RIBS OR SIX RIBS EQUALLY SPACED, NO SPECIFIC ORIENTATION, OPTIONAL.
- 5 150° C TEMPERATURE RATING FOR THIS HOUSING IS FOR SHORT TERM DURATION MAX OPERATING TEMPERATURE REMAINS 125° C.
- 6 SPECIAL PACKAGING
- 7 PHOSPHOR BRONZE CONTACTS SHOULD ALWAYS BE USED WITH THIS HOUSING.
- 8 DIMENSIONS SHOWN REPRESENT PRODUCT IN DRY, AS MOLDED CONDITION ADDITIONAL 2% GROWTH DUE TO SUBSEQUENT MOISTURE ABSORPTION MAY OCCUR AND SHOULD BE ACCOUNTED FOR.



DETAIL A
OPTIONAL CONSTRUCTIONS



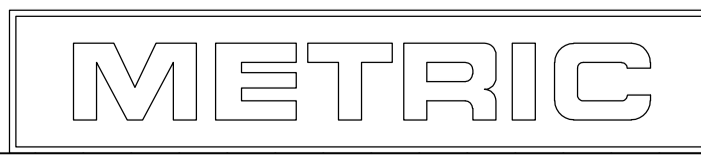
3-DIMENSIONAL MODEL
NTS

| MM | IN |
|-------|-------|
| 27.43 | 1.080 |
| 20.32 | .800 |
| 13.97 | .550 |
| 11.68 | .460 |
| 0.38 | .015 |
| 0.13 | .005 |
| MM | IN |

CONVERSION TABLE

| |
|-------------|
| 8-794535-1 |
| 794535-1 |
| PART NUMBER |

| | | | | |
|--|-----------------|-------------------------------|--|--------------|
| THIS DRAWING IS A CONTROLLED DOCUMENT. | | DIN K. WHITAKER 18NOV98 | TE Connectivity | |
| DIMENSIONS: mm | | CHK R. SWING 18NOV98 | NAME | |
| TOLERANCES UNLESS OTHERWISE SPECIFIED: | | APVD D. SELF 18NOV98 | PLUG, 6 CIRCUIT, UNIVERSAL MATE-N-LOK™ | |
| 0. PLC ± - | 1. PLC ± - | PRODUCT SPEC | SIZE | CAGE CODE |
| 2. PLC ± 0.13 | 3. PLC ± - | APPLICATION SPEC | A1 | 00779 |
| 4. PLC ± - | ANGLES ± 0° 30' | FINISH | WEIGHT | 0.000000 |
| MATERIAL NYLON, UL 94V-2, BLACK | | RESTRICTED TO | A1 00779 C=794535 | |
| CUSTOMER DRAWING | | SCALE | 4:1 | SHEET 1 OF 1 |



单击下面可查看定价，库存，交付和生命周期等信息

[>>TE Connectivity\(泰科\)](#)