

CODE 79 - HEAT SHRINK BOOT BACKSHELL

229M312-01-ET

SERIES _____
 ORDER NUMBER (TABLE 1) _____
 MATERIAL _____
 NICKEL ALUMINIUM BRONZE
 SHOT-BLAST FINISH
 MODIFICATION CODE _____
 REFER TO CH00-0250-004 (2)

NOTES:

1. THIS PRODUCT IS DESIGNED TO TERMINATE A HEAT SHRINKABLE LIPPED BOOT TO A CONNECTOR.
- (2) FOR ADDITIONAL DIMENSIONS, ORDERING INFORMATION AND MODIFICATIONS, SEE CH00-0250-004.
3. BACKSHELL TO BE PERMANENTLY MARKED/BAGGED AND LABELLED WITH CODE IDENTIFICATION NUMBER AND PART NUMBER. (e.g. 06090-229M312-01).
4. KNURL INSIDE BOOT GROOVE MAY BE SUPPLIED AT MANUFACTURER'S OPTION.
- (5) BACKSHELL MATES TO BS9522-F0020 PATT 608 CONNECTORS.

DRAWN	W.RUST	DATE	15/10/2015	 3RD ANGLE PROJECTION NOT TO SCALE	TITLE: HEAT SHRINK BOOT BACKSHELL	 Polanco 		
CHECKED		DATE	15/10/2015					
APPROVED	K.SHEPPARD	DATE	15/10/2015				UNLESS OTHERWISE SPECIFIED ALL DIMENSIONS IN MILLIMETRES GENERAL TOL LINEAR +/-0.25MM ANGULAR +/- 1°	
APPROVED	H.SMITH	DATE	15/10/2015					
REVISIONS					ASSY USED ON: BS9522-F0020 PATT 608			
LTR	DESCRIPTION	DATE	APPROVED					
3	REVISED	17/01/13	H.SMITH					
A	REVISED PER ECO-15-013980	15/10/2015	H.SMITH					
TE CAGE CODE: 06090 POLAMCO/TE CAGE CODE: U5792					TE CONNECTIVITY - POLAMCO LTD RESERVES THE RIGHT TO AMEND THIS DRAWING AND THE INFORMATION THEREIN SHOULD BE CHECKED IN THEIR APPLICATION.	DRAWING NO: 229M3XXSERIES	DRAWING REV: A	SHT 1

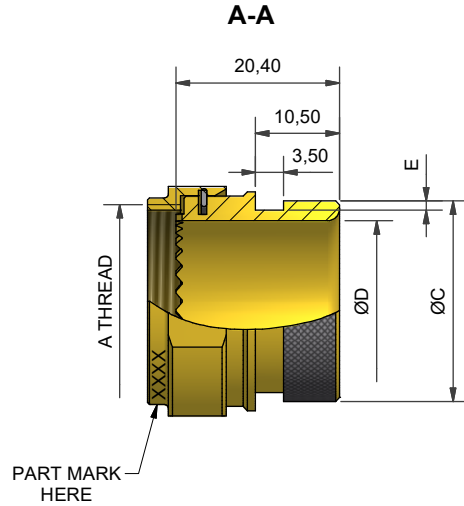
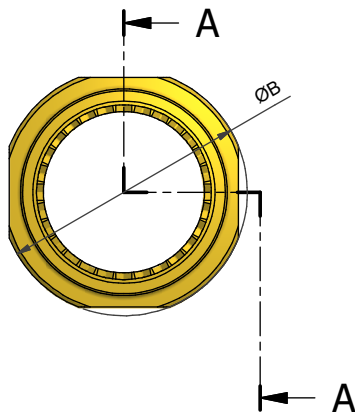
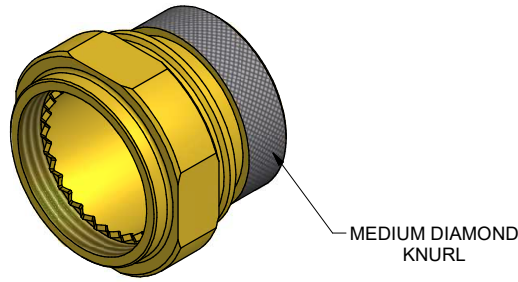


TABLE 1

BASE PART NUMBER	SHELL SIZE (5)	A THREAD	ØB MAX	ØC +0,00/-0,50	ØD MIN	E +0,20/-0,00
229M308	8	7/16-28UNEF	19,3	13,0	8,0	1,12
229M310	10	9/16-24UNEF	21,3	16,0	11,0	1,12
229M312	12	11/16-24UNEF	24,3	19,0	14,3	1,12
229M314	14	13/16-20UNEF	29,2	22,0	17,0	1,12
229M316	16	15/16-20UNEF	30,8	25,0	20,0	1,12
229M318	18	1 1/16-18UNEF	33,8	29,2	23,0	1,12
229M320	20	1 3/16-18UNEF	38,5	32,2	26,0	1,75
229M322	22	1 5/16-18UNEF	38,5	35,2	29,0	1,75
229M324	24	1 7/16-18UNEF	42,5	38,2	32,0	1,75

DRAWN	W.RUST	DATE	 <small>UNLESS OTHERWISE SPECIFIED ALL DIMENSIONS IN MILLIMETRES</small> GENERAL TOL <small>LINEAR +/-0,25MM</small> <small>ANGULAR +/- 1°</small>
CHECKED		15/10/2015	
APPROVED	K.SHEPPARD	15/10/2015	
APPROVED	H.SMITH	15/10/2015	
REVISIONS			
LTR	DESCRIPTION	DATE	APPROVED
3	REVISED	17/01/13	H.SMITH
A	REVISED PER ECO-15-013980	15/10/2015	H.SMITH

TITLE:
HEAT SHRINK BOOT BACKSHELL

ASSY USED ON:
BS9522-F0020 PATT 608



TE CAGE CODE: 06090
POLAMCO/TE CAGE CODE: U5792

TE CONNECTIVITY - POLAMCO LTD RESERVES THE RIGHT TO AMEND THIS DRAWING AND THE USER SHOULD CHECK FOR THEIR APPLICATION.

Downloaded From Oneyac.com

DRAWING NO: 229M3XXSERIES	DRAWING REV: A	SHT 2
------------------------------	-------------------	----------

单击下面可查看定价，库存，交付和生命周期等信息

[>>TE Connectivity\(泰科\)](#)