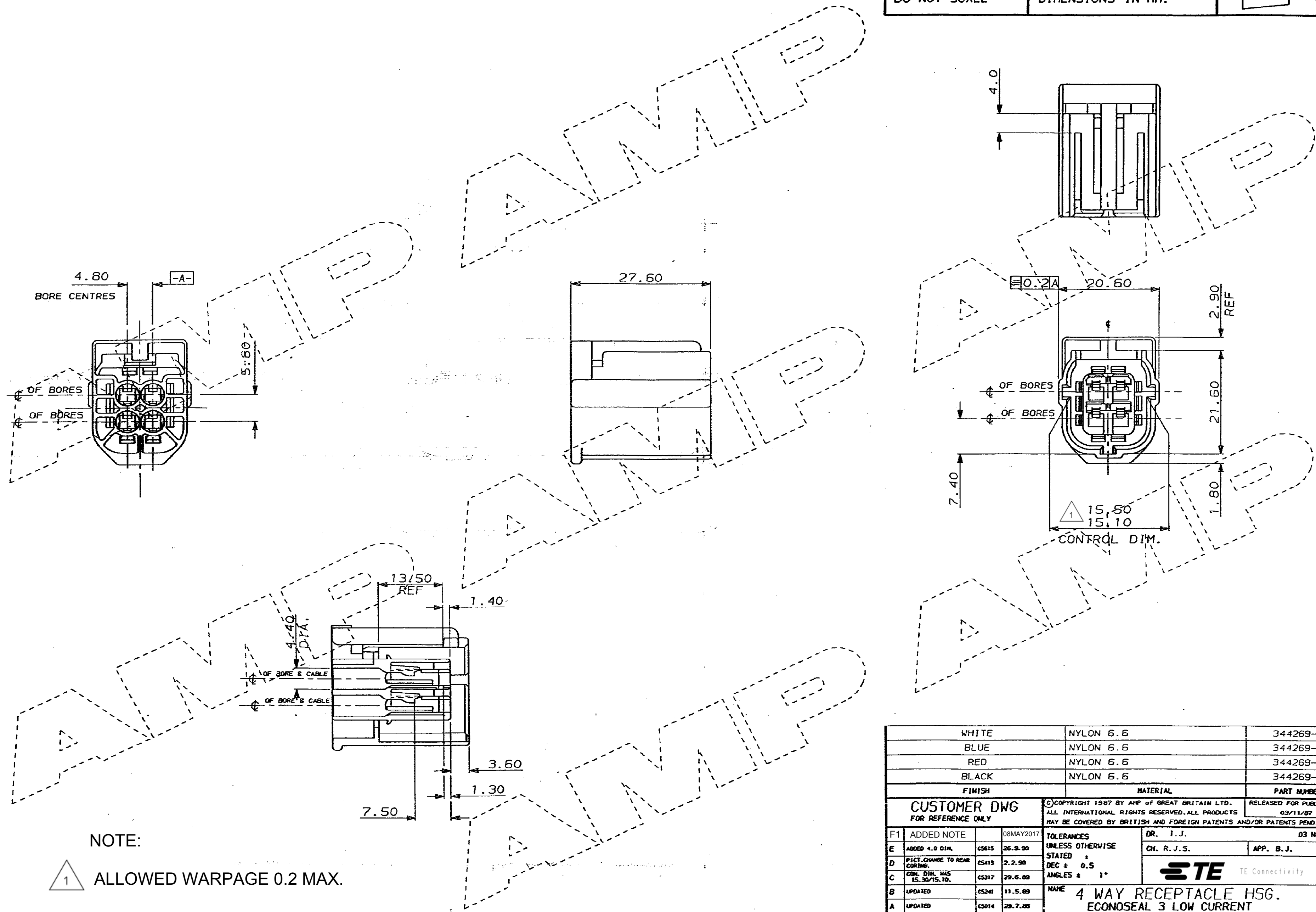
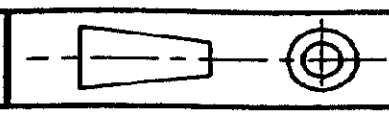


C.A.D. FILE CODE
344269

DO NOT SCALE

DIMENSIONS IN MM.



NOTE:
 ALLOWED WARPAGE 0.2 MAX.

FINISH	MATERIAL	PART NUMBER
WHITE	NYLON 6.6	344269-4
BLUE	NYLON 6.6	344269-3
RED	NYLON 6.6	344269-2
BLACK	NYLON 6.6	344269-1

CUSTOMER DWG FOR REFERENCE ONLY		© COPYRIGHT 1987 BY AMP OF GREAT BRITAIN LTD. ALL INTERNATIONAL RIGHTS RESERVED. ALL PRODUCTS MAY BE COVERED BY BRITISH AND FOREIGN PATENTS AND/OR PATENTS PENDING.		RELEASED FOR PUBLICATION 03/11/87	
F1	ADDED NOTE	08MAY2017	TOLERANCES UNLESS OTHERWISE STATED	DR. I. J.	03 NOV 1987
E	ADDED 4.0 DIM.	CS615 26.9.90	±	CH. R. J. S.	APP. B. J.
D	PICT. CHANGE TO REAR CORING.	CS413 2.2.90	DEC ± 0.5	TE Connectivity	
C	CON. DIM. WAS 15.30/15.10.	CS317 29.6.89	ANGLES ± 1°		
B	UPDATED	CS241 11.5.89	NAME 4 WAY RECEPTACLE HSG. ECONOSEAL 3 LOW CURRENT		
A	UPDATED	CS014 29.7.88	SCALE	LOG	SIZE
O	REL. FOR PROD.	C4896 14.3.88	2/1	E	A2
REV	APPROVED	ECM DATE	DWG. No.	REV	SHEET
			C344269	F1	1/1

单击下面可查看定价，库存，交付和生命周期等信息

[>>TE Connectivity\(泰科\)](#)