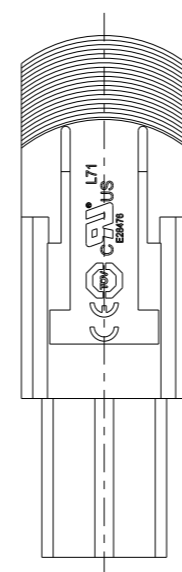
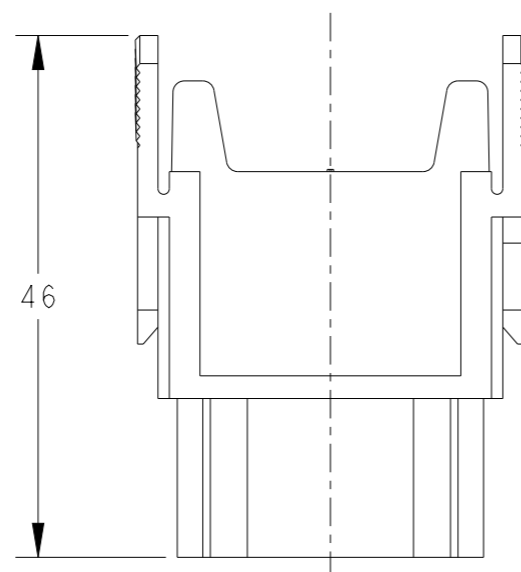
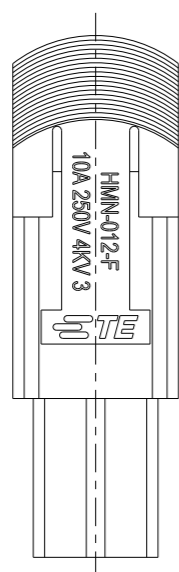
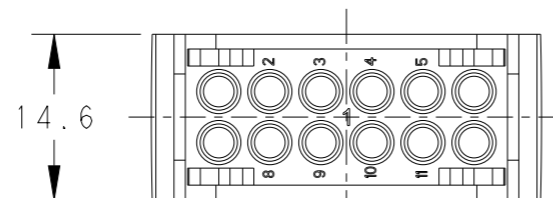
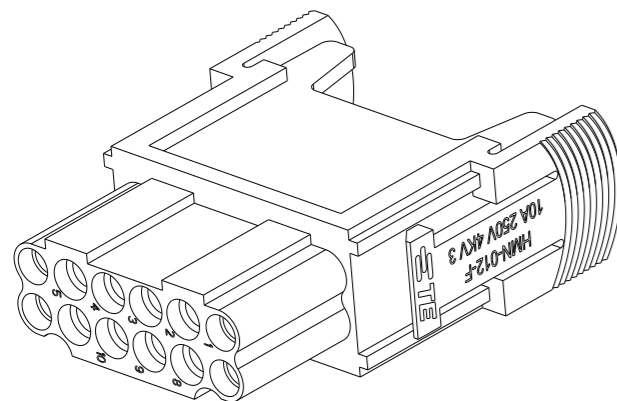


REVISIONS

P	LTR	DESCRIPTION	DATE	DWN	APVD
	A	INITIAL	14APR2015	DW	CW
	B	ECR-15-018270	09DEC2015	DW	CW
	B1	ECR-16-006849	13MAY2016	RL	CW
	C	ECR-21-111798	28SEP2021	WQR	CW



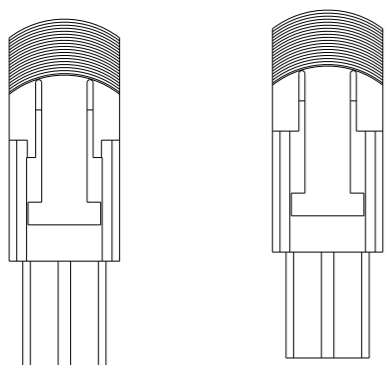
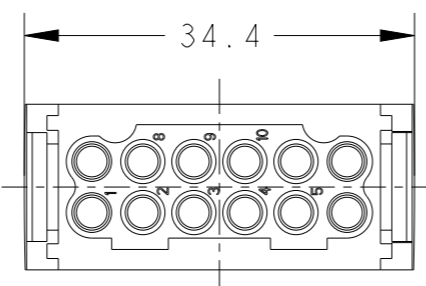
NOTES:

- TECHNICAL CHARACTERISTICS:  
 INSULATION MATERIAL: PC  
 RATED VOLTAGE: 250V  
 RATED CURRENT: 10A  
 INSULATION RESISTANCE: >=400MΩ  
 RATED IMPULSE VOLTAGE: 4KV  
 POLLUTION DEGREE: 3  
 FLAMMABILITY: UL94V-0  
 MATING CYCLES: 500 CYCLES  
 OPERATION TEMPERATURE: -40~+125°C  
 WIRE RANGE: 0.14~2.5 mm<sup>2</sup> (26~14 AWG)  
 CONTACT TYPE: CRIMP CONTACT
- CONTACT NEED TO BE ORDERED SEPARATELY.  
 (ORDER No. REFER TO DRAWING: T20200X20XX000)

注释:

- 技术参数:  
 绝缘材料: PC  
 额定电压: 250V  
 额定电流: 10A  
 绝缘电阻: >=400MΩ  
 额定脉冲电压: 4KV  
 污染等级: 3  
 阻燃等级: UL94V-0  
 插拔次数: 500次  
 工作温度: -40~+125°C  
 接线范围: 0.14~2.5 mm<sup>2</sup> (26~14 AWG)  
 接线类型: 冷压接
- 端子需要单独订购.  
 (订货号参考图面: T20200X20XX000)

T2111122201-000 SHOWN, 带 LOGO, 产品型号, 认证标示



T2111122201-001 SHOWN, ALL DIMENSIONS ARE SAME AS T2111122201-000, EXCEPT WITHOUT LOGO, TYPE DESCRIPTION, TUV AND CUL MARK  
不带 LOGO, 产品型号和认证标示

T2111122201-001	HMN-012-F WITHOUT LOGO HMN-012 模块母插 不带 LOGO, 产品型号和认证标示
T2111122201-000	HMN-012-F WITH LOGO HMN-012 模块母插
PART NUMBER 料号	PART DESCRIPTION 描述

DIMENSIONS:		TOLERANCES UNLESS OTHERWISE SPECIFIED:		DWN		CHK		APVD		NAME	
mm		0 PLC	±-	David Wang	14APR2015	Chris Wang		14APR2015	Xiang Xu		
		1 PLC	±-	108-137121		PRODUCT SPEC		HMN-012-F			
		2 PLC	±-	114-137121		APPLICATION SPEC		SIZE		CAGE CODE	DRAWING NO
		3 PLC	±-	Customer Drawing		WEIGHT		A3	00779	C-T2111122201000	
		4 PLC	±-					SCALE		SHEET	OF
		ANGLES	±-					1:1		1	1
		FINISH	-					REV		C	
			-								



单击下面可查看定价，库存，交付和生命周期等信息

[>>TE Connectivity\(泰科\)](#)