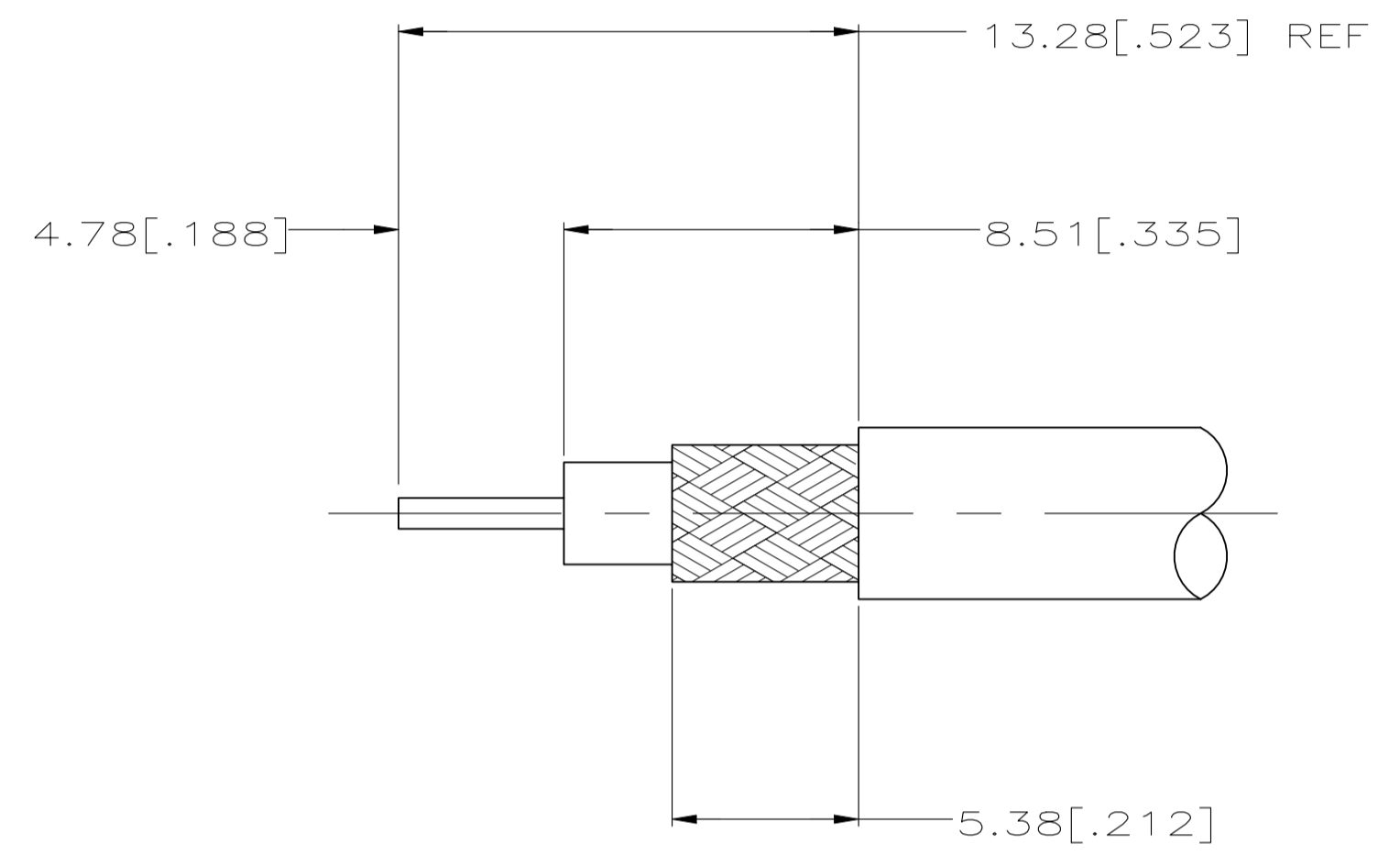
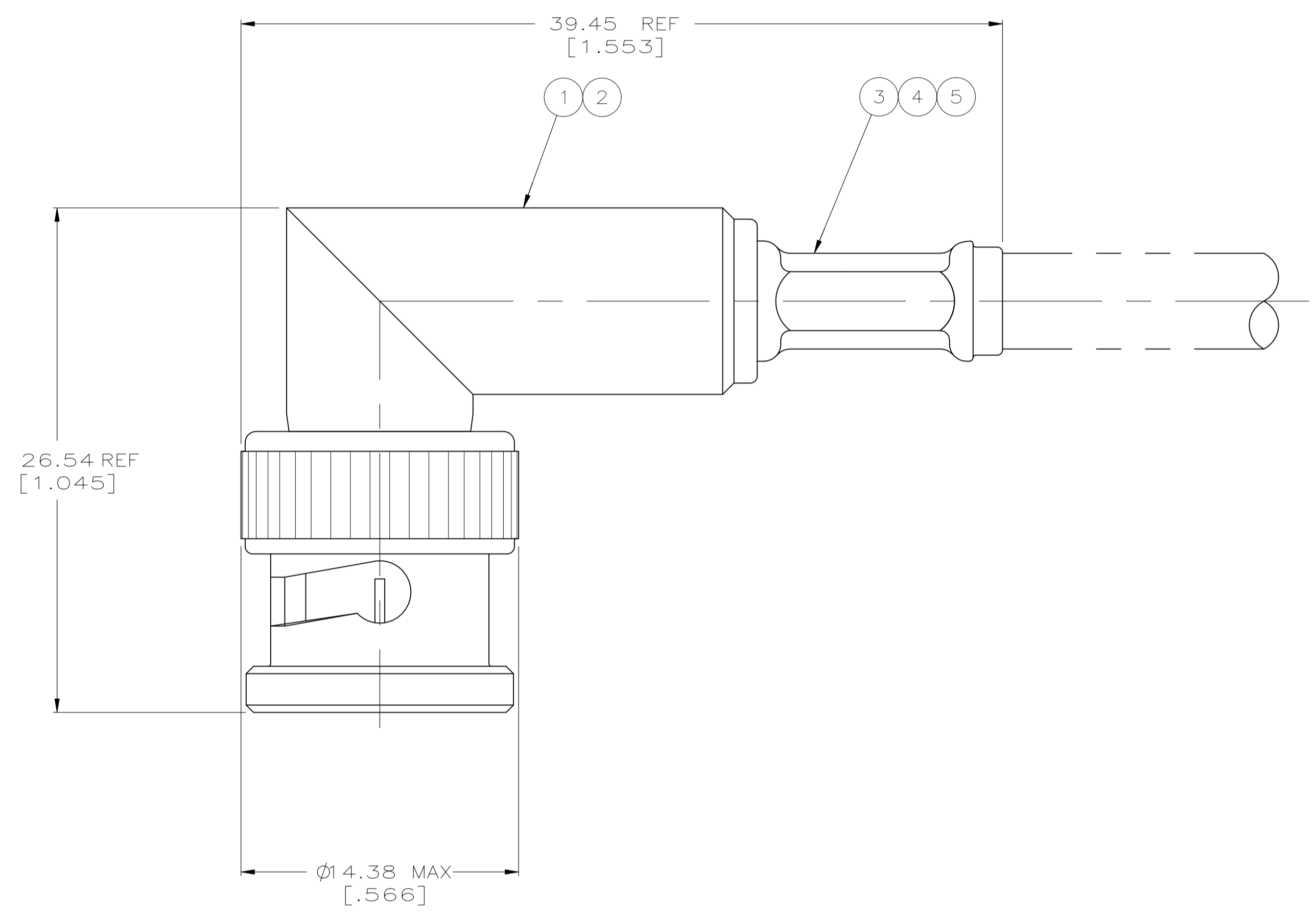


REVISIONS					
P	LTR	DESCRIPTION	DATE	DN	APVD
A2		REVISED PER ECN-21-111987	06AUG2021	RZ	WK

- 1. USE WITH HAND TOOL 354940-1.
- 2. SEE INSTRUCTION SHEET 408-9778.



RECOMMENDED STRIP LENGTH

BELDEN YR15492	1.73 [.068]	5.41 [.213]	58436-1	-	8-221132-9	413774-5	413960-1	5413959-8
RG-141/U, BELDEN 9907 & 89907	1.73 [.068]	5.41 [.213]	58436-1	-	9-221132-0	2-413774-5	413960-1	5413959-6
RG-180/U & 195/U	1.73 [.068]	4.52 [.178]	58436-3	-	9-413658-1	2-413774-0	413960-3	5413959-5
RG-179/U & 187/U	1.73 [.068]	4.52 [.178]	58436-3	227194-1	9-413658-0	2-413774-0	413960-3	5413959-4
RG-174/U, 188/U & 316/U	1.73 [.068]	4.52 [.178]	58436-3	227194-1	9-413658-0	1-413774-5	413960-3	5413959-3
RG-58/U & BELDEN 88240	1.73 [.068]	5.41 [.213]	58436-1	-	9-221132-0	413774-5	413960-1	5413959-1
FOR USE WITH CABLE	CONTACT CRIMP (HEX)	FERRULE CRIMP (HEX)	DIE SET ¹	⁴ TUBING, PLASTIC QTY=1	³ FERRULE QTY=1	² CONTACT QTY=1	¹ PLUG ASSY QTY=1	PART NUMBER

THIS DRAWING IS A CONTROLLED DOCUMENT.

DIMENSIONS: mm [INCHES]	TOLERANCES UNLESS OTHERWISE SPECIFIED:	DIN A FERNANDEZ-DICKS 22APR2005	APVD J. HAVENER 22APR2005	NAME J. LIPPERT 22APR2005	PRODUCT SPEC	APPLICATION SPEC	SIZE A1	CAGE CODE 00779	DRAWING NO. 5413959	RESTRICTED TO
0. PLC ± -	1. PLC ± -	2. PLC ± -	3. PLC ± .41[016]	4. PLC ± -	ANGLES ± -	FINISH -	WEIGHT 0.000000	SCALE 5:1	SHEET 1 of 1	REV A2

STE TE Connectivity

PLUG, RIGHT ANGLE, 50 OHM, COMMERCIAL BNC

CUSTOMER DRAWING

单击下面可查看定价，库存，交付和生命周期等信息

[>>TE Connectivity\(泰科\)](#)