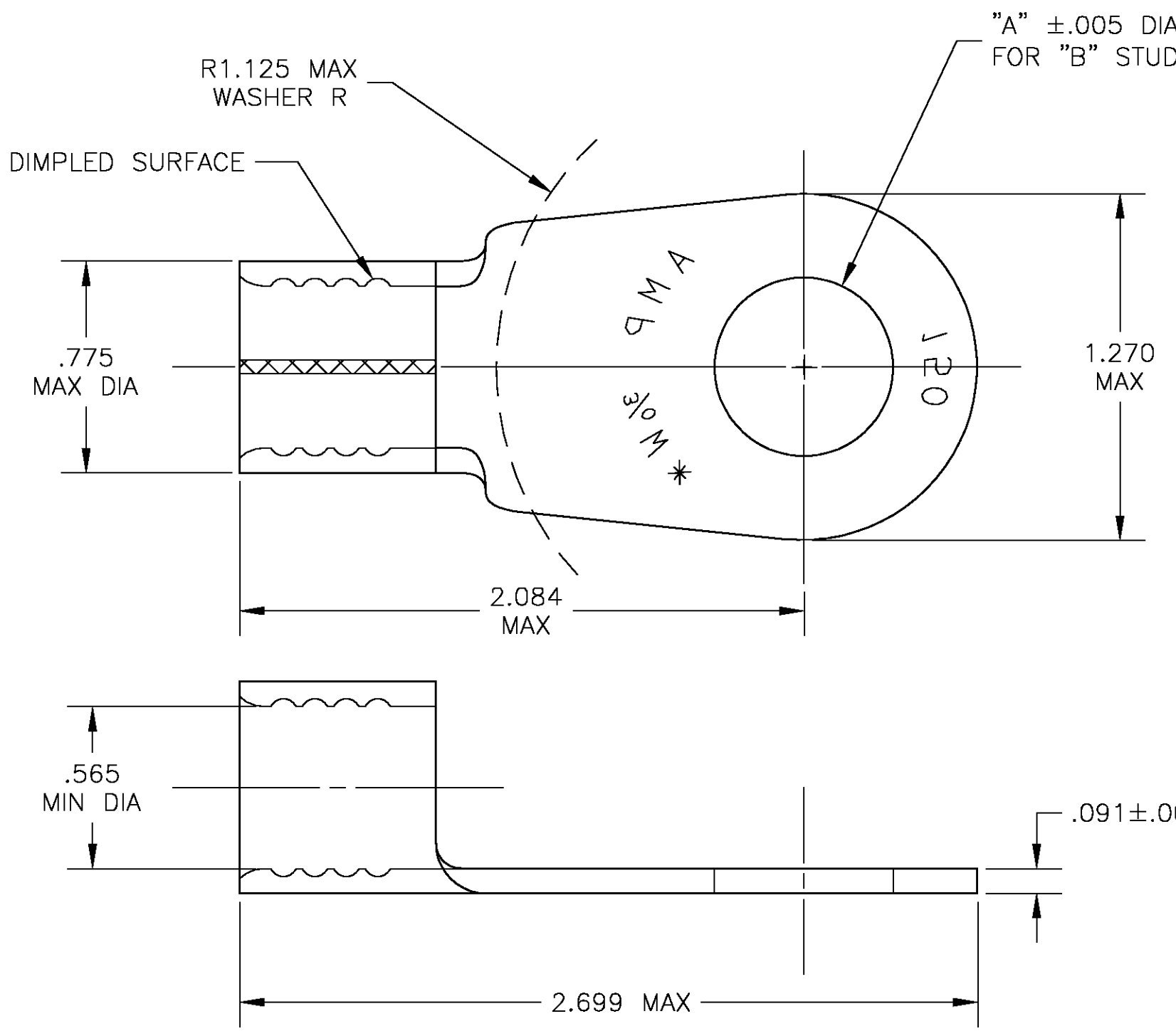


THIS DRAWING IS UNPUBLISHED. RELEASED FOR PUBLICATION  
 © COPYRIGHT BY TYCO ELECTRONICS CORPORATION. ALL RIGHTS RESERVED.

LOC	DIST	REVISIONS			
P	LTR	DESCRIPTION	DATE	DWN	APVD
G	86	G	REDRAWN PER 0G3A-0395-04	02JUN04	JR MS



- △ 1 COPPER PER ASTM B-152, ANNEALED
- △ 2 TIN PER ASTM B-545

OBSOLETE	1/2	.515	1-322222-0
	5/8	.656	322222
	DIM "B"	DIM "A"	PART NO

THIS DRAWING IS A CONTROLLED DOCUMENT.		DWN jr_ruth	02JUN04	Tyco Electronics Corporation Harrisburg, PA 17105	
DIMENSIONS: INCHES 		CHK MJ SPICER	02JUN04		
TOLERANCES UNLESS OTHERWISE SPECIFIED: 0 PLC ± - 1 PLC ± - 2 PLC ± - 3 PLC ± .008 4 PLC ± - ANGLES ± 5°		APVD MJ SPICER	02JUN04	NAME TERMINAL, SOLISTRAND, RING TONGUE, WIRE SIZE: 3/0 AWG	
MATERIAL - △ 1		FINISH - △ 2		PRODUCT SPEC	RESTRICTED TO
-		-		APPLICATION SPEC	SIZE
-		-		WEIGHT	CAGE CODE
-		-		DRAWING NO	
-		-		A3 00779 C-322222	
-		-		CUSTOMER DRAWING	
-		-		SCALE	SHEET
-		-		2:1	1 OF 1
-		-		REV	G

单击下面可查看定价，库存，交付和生命周期等信息

[>>TE Connectivity\(泰科\)](#)