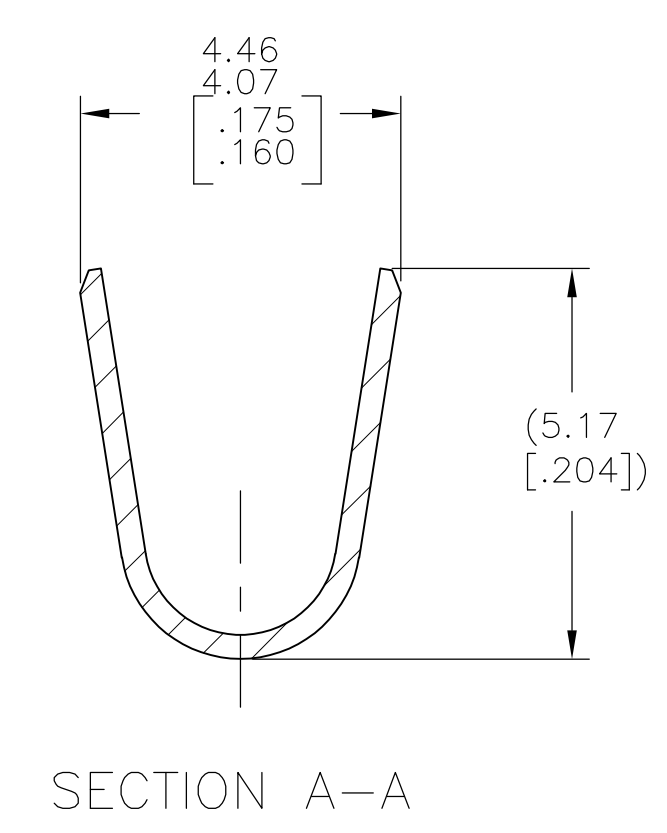
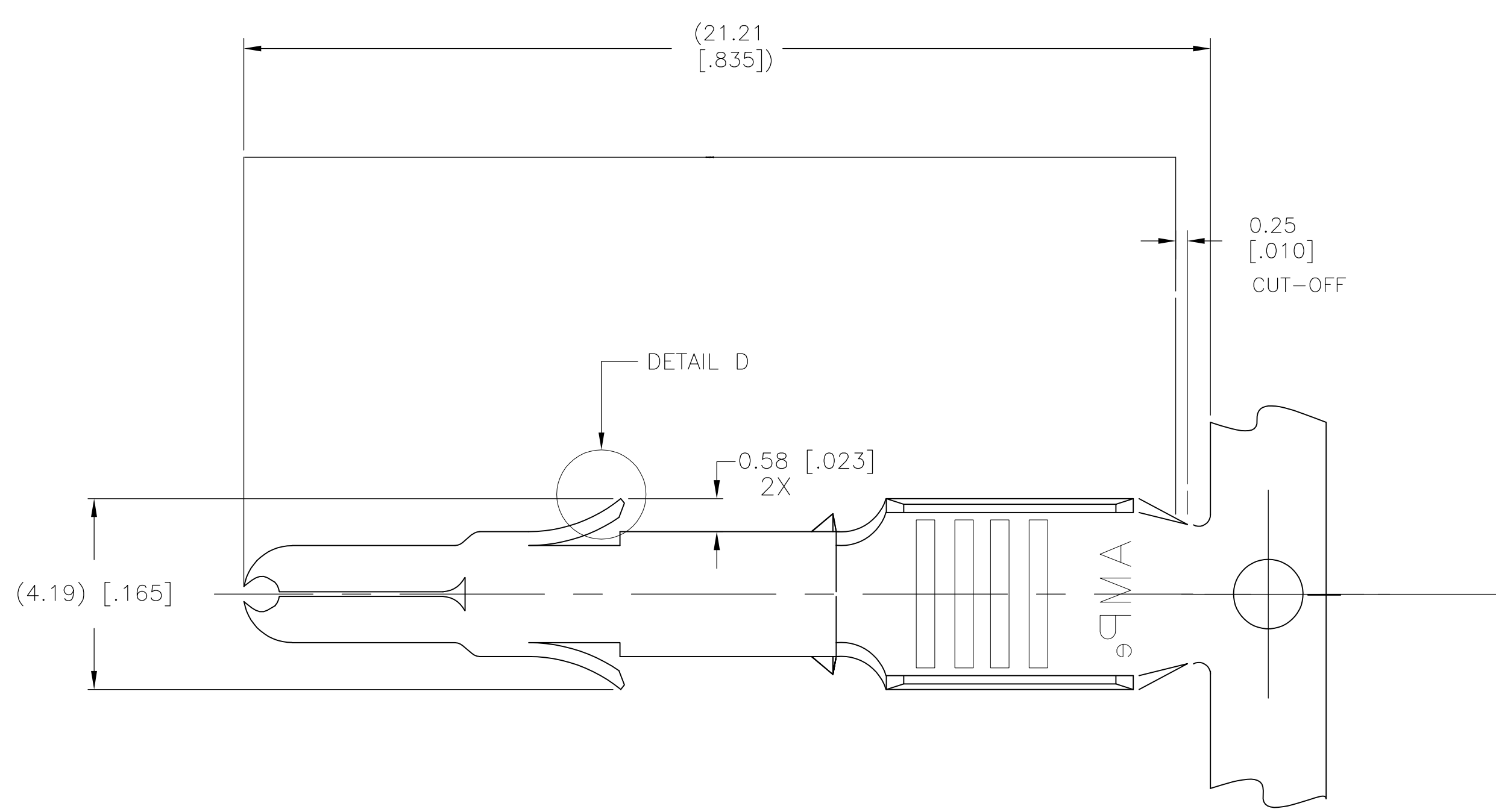
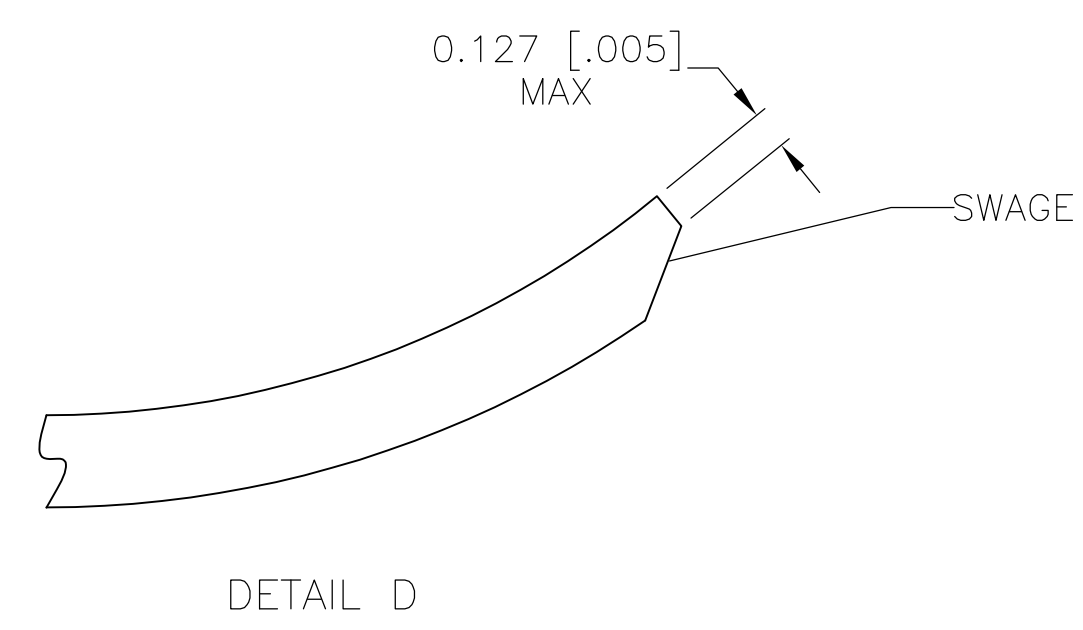
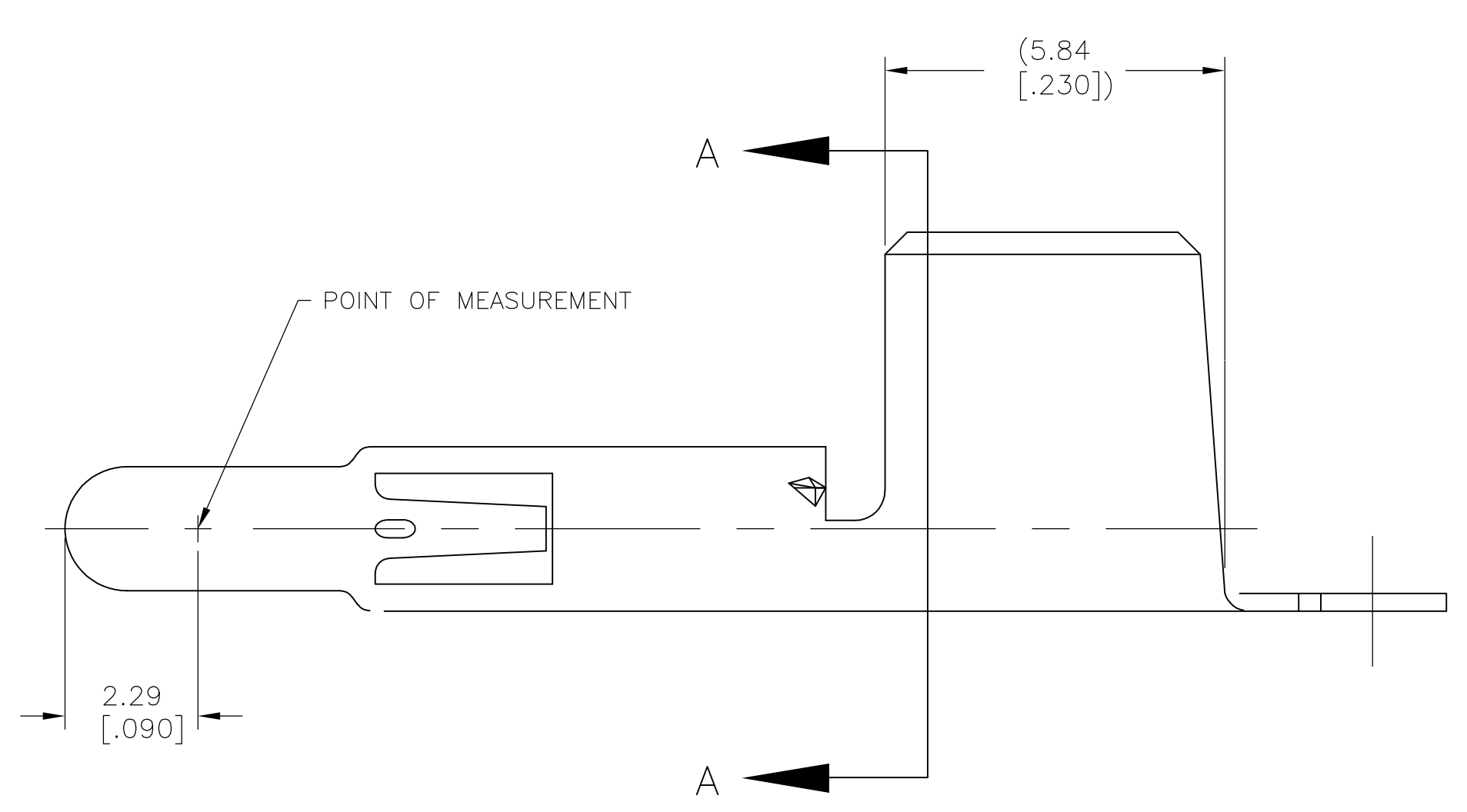
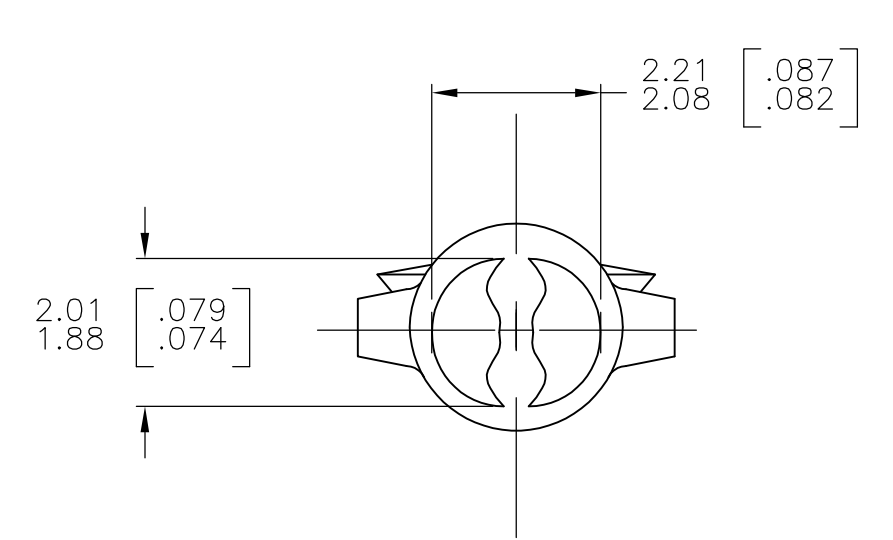


LOC		DIST		REVISIONS			
P	LTR	DESCRIPTION	DATE	DWN	APVD		
A		REVISED PER ECR-12-013323	09AUG12	KH	TM		



1 WIRE RANGE: 12-10 AWG
 WIRE INSULATION DIAMETER: 5.08 [.200] MAX.
 LIMITED BY THE CONNECTOR HOUSING CAVITY



FINISH	MATERIAL	PART NUMBER
PRE-TIN	.012 COPPER ALLOY	1586096-1

THIS DRAWING IS A CONTROLLED DOCUMENT.		DIN S. HOOVER 25-MAR-2003		TE Connectivity	
DIMENSIONS: mm [INCHES]		TOLERANCES UNLESS OTHERWISE SPECIFIED:			
		0. PLC	±	NAME: SPLIT PIN, ENHANCED CURRENT UNIVERSAL MATE-N-LOK™ PRODUCT SPEC: APPLICATION SPEC	
		1. PLC	±		
		2. PLC	± 0.13 [.005]		
		3. PLC	±		
MATERIAL: SEE TABLE		FINISH:		SIZE: A1 CAGE CODE: 00779 DRAWING NO: 1586096 WEIGHT: CUSTOMER DRAWING	
				SCALE: 10:1 SHEET: 1 OF 1 REV: A	

单击下面可查看定价，库存，交付和生命周期等信息

[>>TE Connectivity\(泰科\)](#)