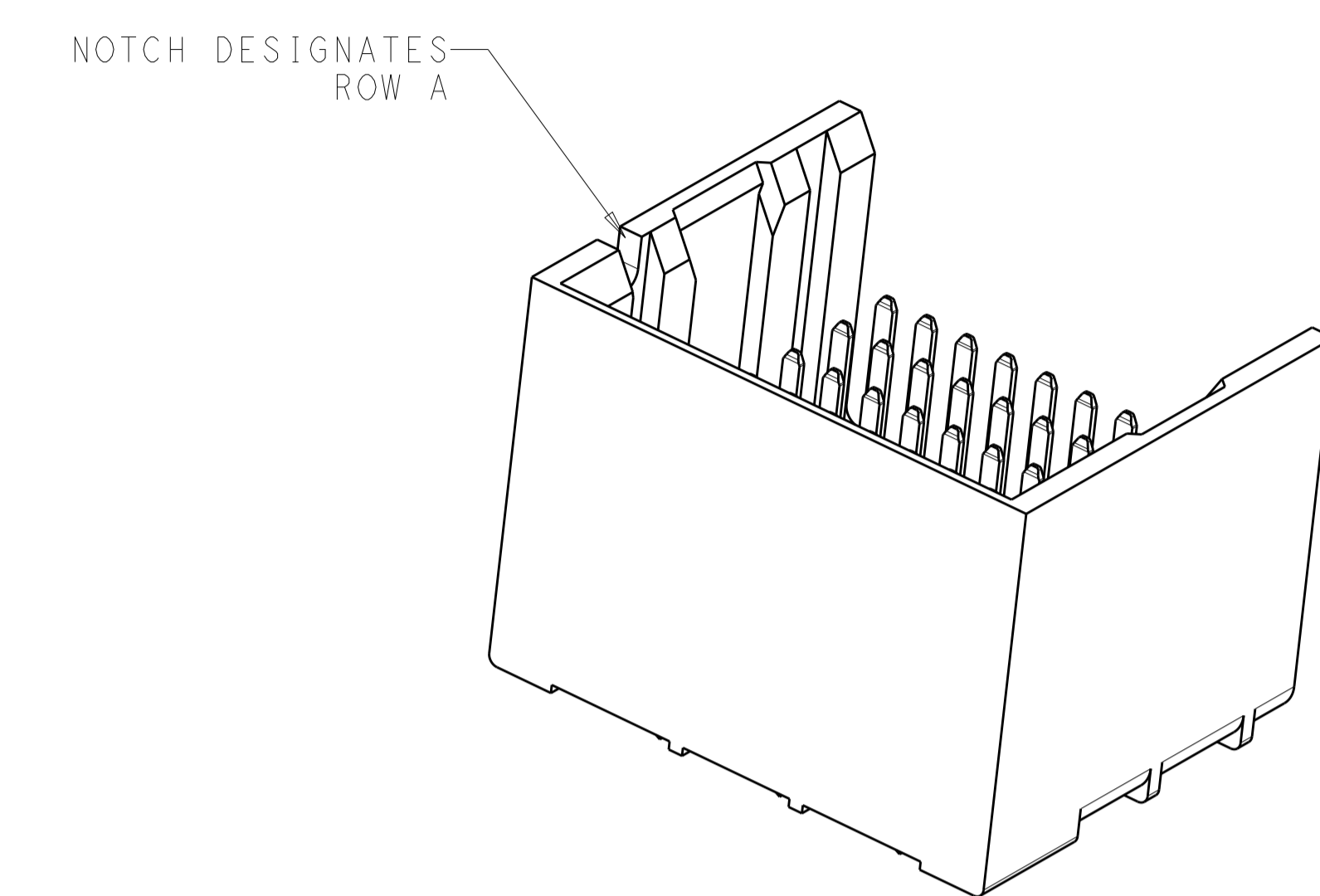
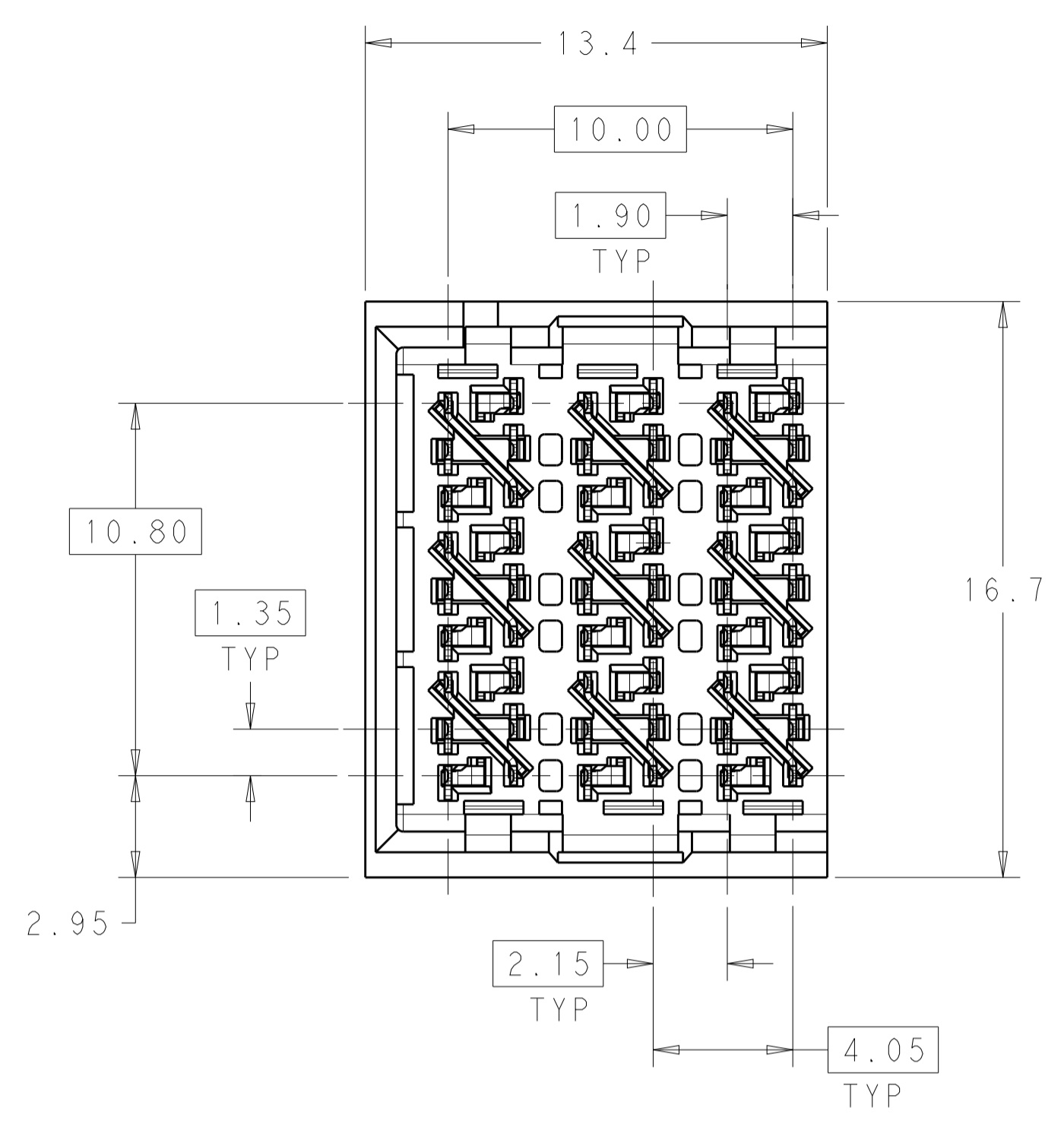
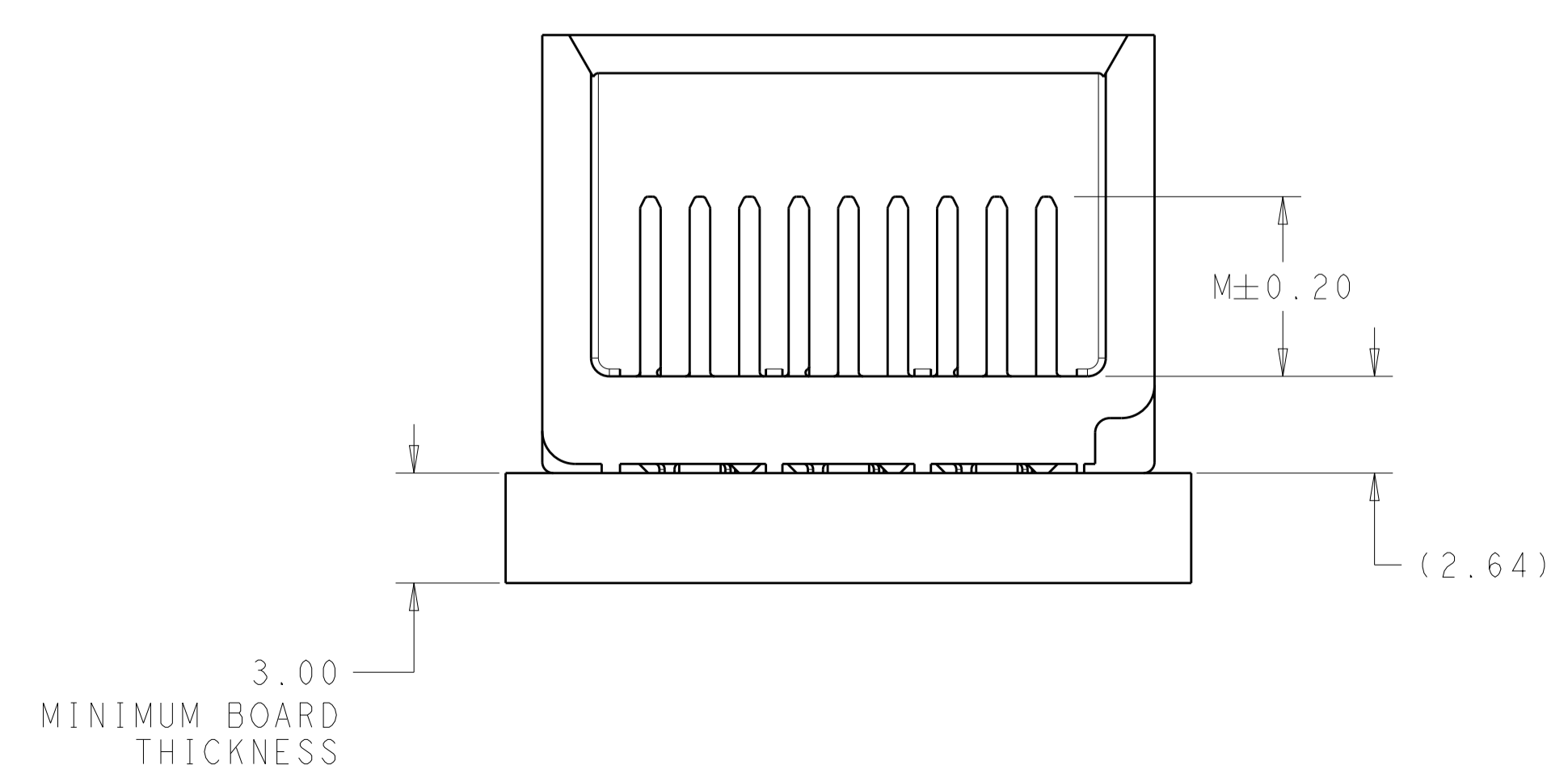
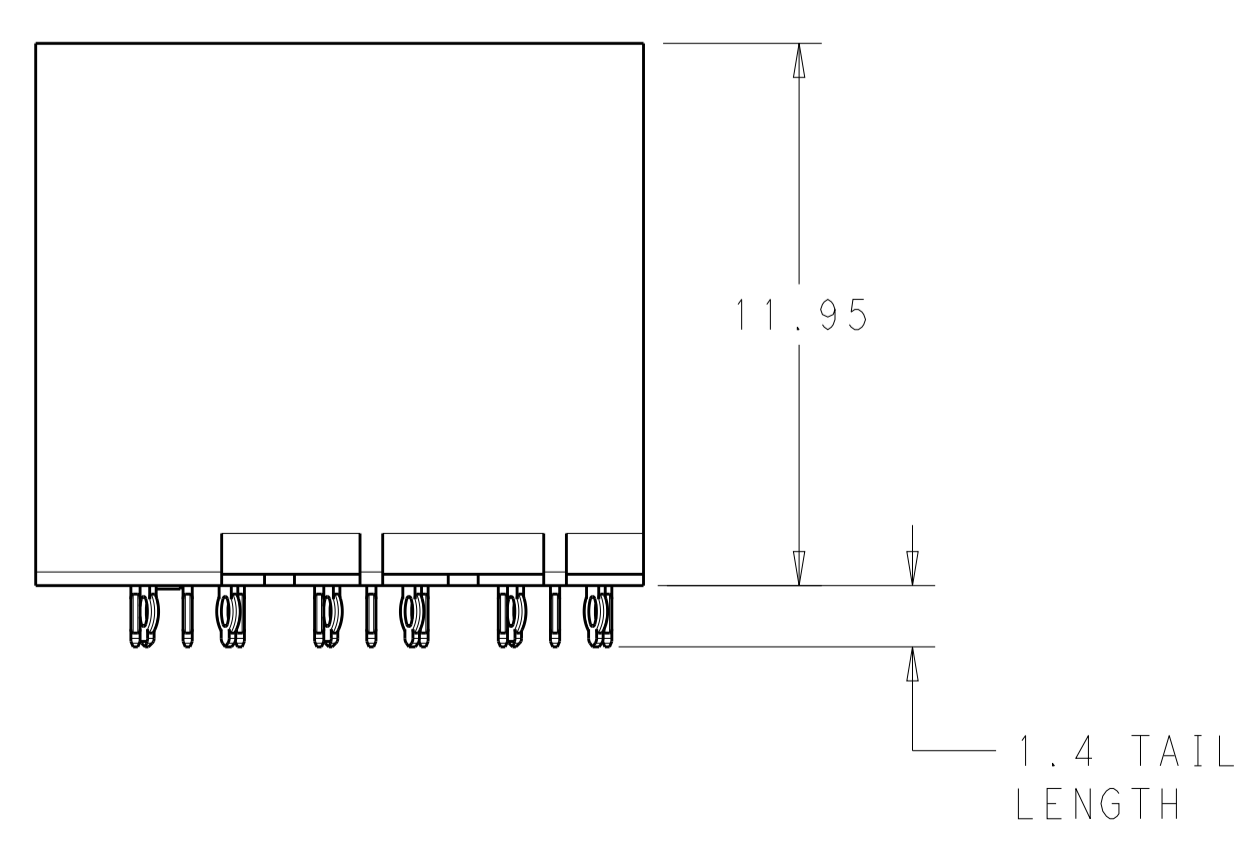
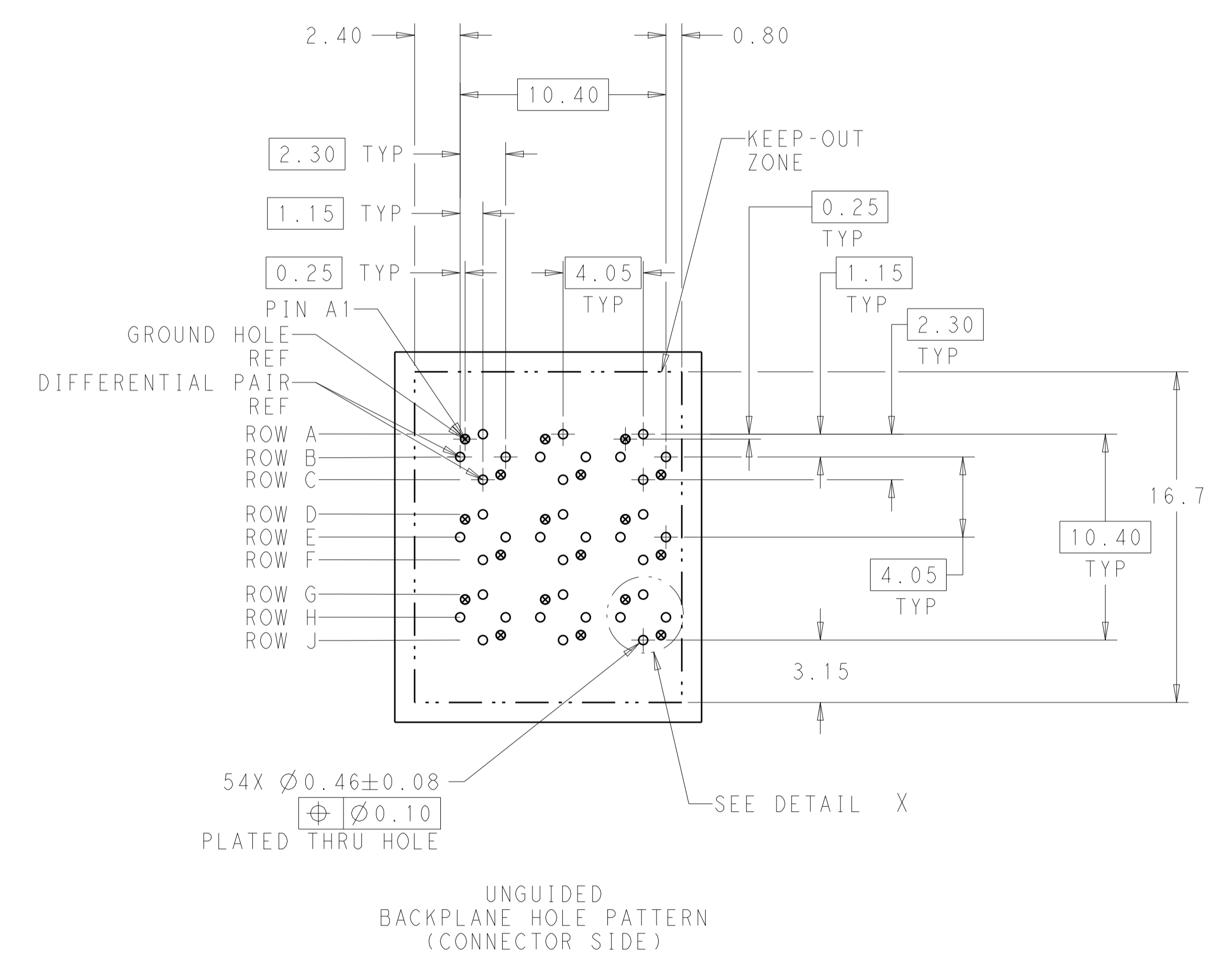
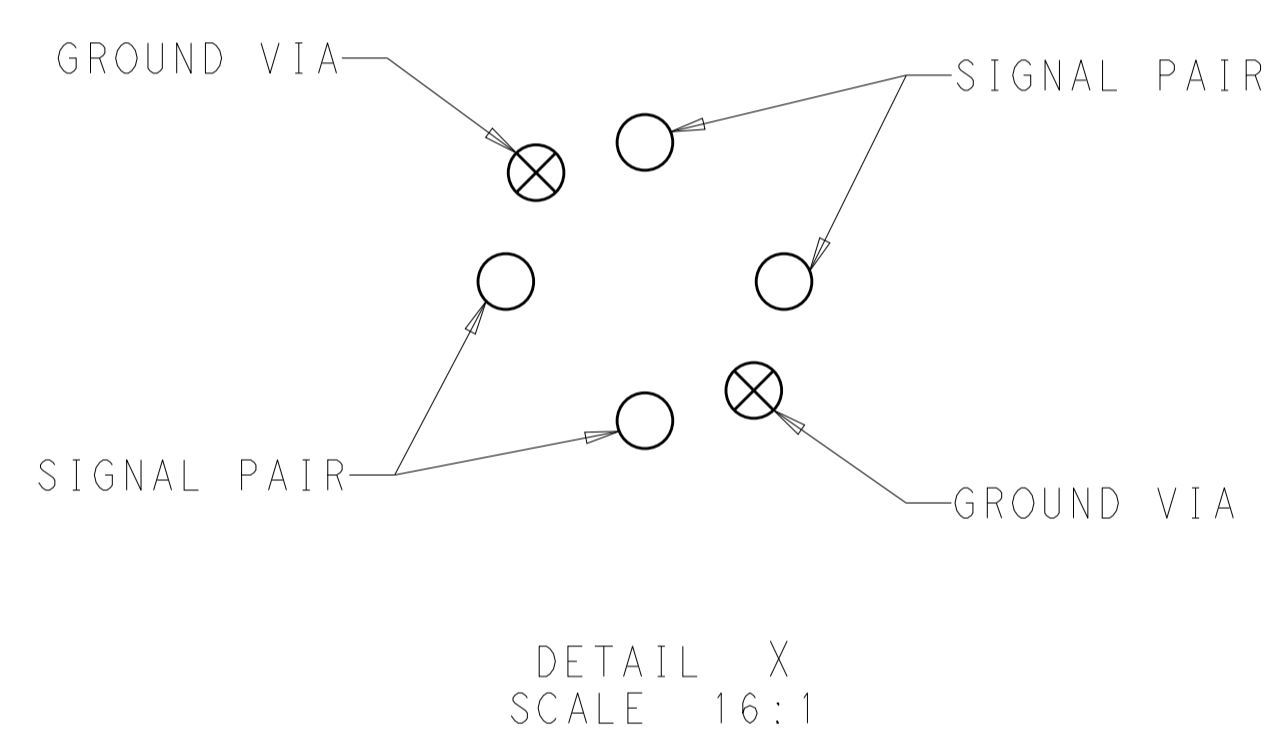


LOC		DIST		REVISIONS			
AD	00	P	LTN	DESCRIPTION	DATE	DWN	APVD
		C1		REVISED PER ECO-15-001489	30JAN2015	AP	DD



- 1 MATERIAL:
HOUSING: LCP, GLASS FILLED, UL94V-0.
TERMINALS: HIGH PERFORMANCE COPPER ALLOY.
- 2 FINISH:
30μ" MIN GOLD IN CONTACT AREA. SELECTIVE TIN ON PCB TAILS, NICKEL OVERALL.



REFER TO WWW.TE.COM FOR PRODUCT AVAILABILITY

5.5	2132574-2
4.9	2132574-1
FINISH	DIM M PART NUMBER

THIS DRAWING IS A CONTROLLED DOCUMENT.

DWN: RAGHAVENDRA T1OCT2012
CHK: DIXON DIRK T1OCT2012
APVD: DIXON DIRK T1OCT2012

TE Connectivity

NAME: IMPACT, ORTHOGONAL, 3 PAIR, 6 COLUMN HEADER, UNGUIDED, LEFT END WALL SIGNAL MODULE, 0.46 PTH

SIZE: A1 | CAGE CODE: 100779 | DRAWING NO: 2132574

Customer Drawing | SCALE: 6:1 | SHEET: 1 OF 1 | REV: C1

单击下面可查看定价，库存，交付和生命周期等信息

[>>TE Connectivity\(泰科\)](#)