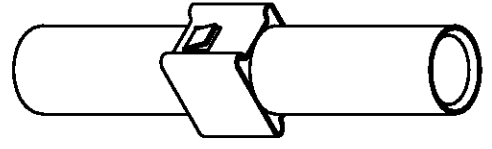
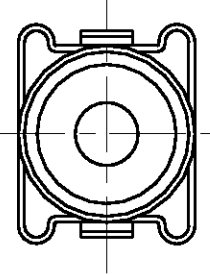
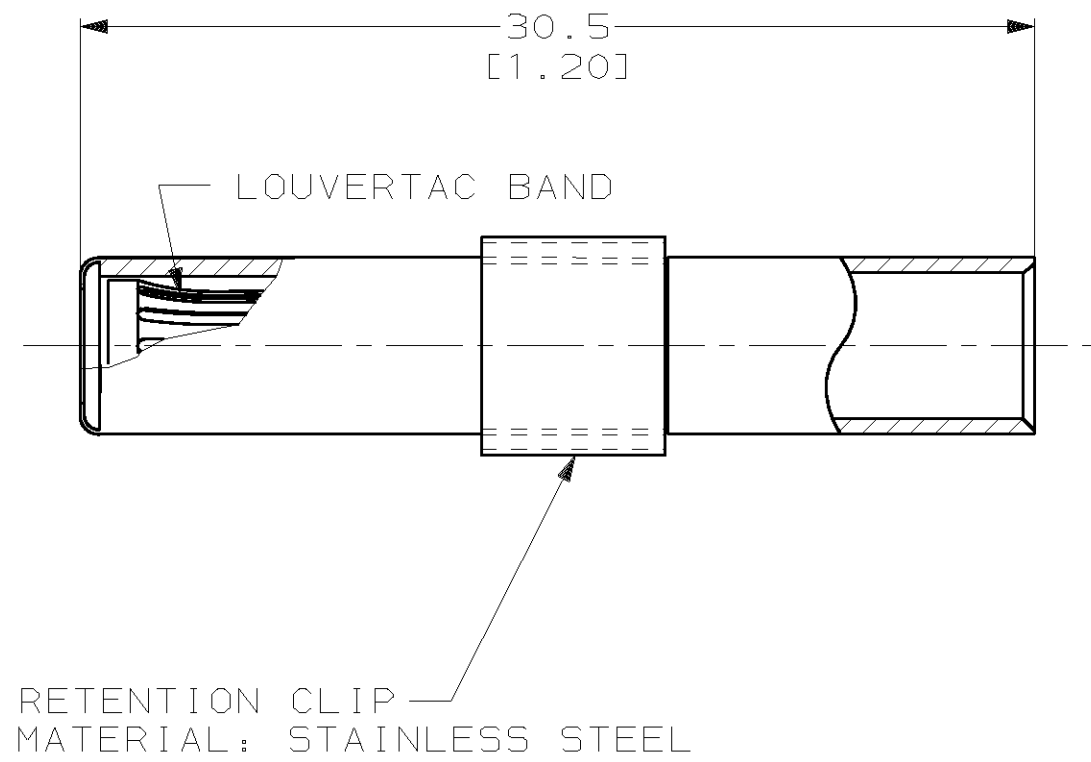


THIS DRAWING IS UNPUBLISHED. RELEASED FOR PUBLICATION, 19 .
© COPYRIGHT 19 BY AMP INCORPORATED. ALL INTERNATIONAL RIGHTS RESERVED.

LOC CH DIST 11 P F

REVISIONS				
ZONE	LTR	DESCRIPTION	DATE	APPD
	D	EC 0B20-0791-98	30/JUN/98	DAP
	C	EC 0B20-0671-98	27/MAY/98	RNP
	B	ECN 95013002	01-30-95	CMS

- 1. MATERIAL: COPPER ALLOY
- 2. FINISH: 30 MICROINCHES MIN. GOLD OVER 50 MICROINCHES MIN. NICKEL.
- 3. WIRE BARREL WILL ACCEPT #8 AWG WIRE
- 4. MATES WITH AMP P/N 193991-X.
- 5. FINISH: 200 MICROINCHES MIN. SILVER OVER 40 MICROINCHES MIN. NICKEL.
- 6. ALL DIMENSIONS ARE REFERENCE ONLY.



	5	193990-2
	2	193990-1
OBSOLETE	FINISH	PART NO

DO NOT SCALE PRINT. UNLESS SPECIFIED DIMENSIONS IN mm [INCHES] TOLERANCES ON: 2 PLC DEC ± - 3 PLC DEC ± - ANGLES ± -	DR 04-13-94 D.A.P.	AMP AMP Incorporated Harrisburg, PA 17105-3608		
	CHK -	NAME SOCKET ASSEMBLY, TYPE XII HIGH CURRENT #8 AWG		
	APPD -	SIZE B	CAGE CODE 00779	DRAWING NO C-193990
	APPD -	SCALE		SHEET 1 OF 1
MATERIAL 1	PRODUCT SPEC -			
FINISH 2 5	APPLICATION SPEC -			
	WEIGHT -			

THIS DRAWING IS A CONTROLLED DOCUMENT FOR AMP INCORPORATED. IT IS SUBJECT TO CHANGE AND THE CONTROLLING ENGINEERING ORGANIZATION SHOULD BE CONTACTED FOR THE LATEST REVISION.

单击下面可查看定价，库存，交付和生命周期等信息

[>>TE Connectivity\(泰科\)](#)