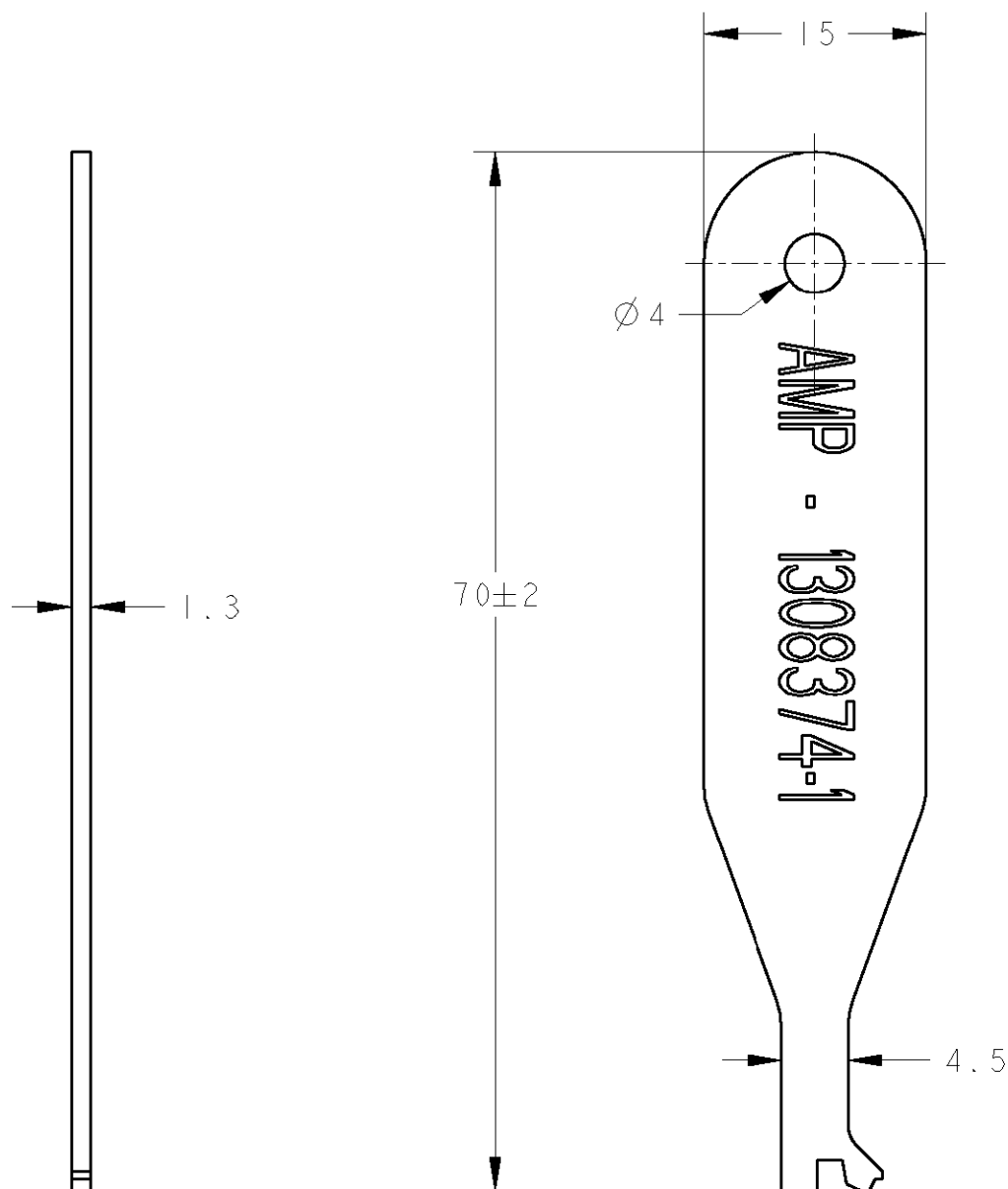


LOC	DIST	REVISIONS				
P	LTR	DESCRIPTION	DATE	DWN	APVD	
REV	REV	MODIFICATIONS		DESS.	APP.	
F	7					



1308374-1	ACIER	EXTRACTEUR MQS
<b>REF AMP</b>	<b>MATIERE</b>	<b>DESCRIPTION</b>

RELEASED FOR PUBLICATION  
 LIBRE A LA DIFFUSION

THIS DRAWING IS UNPUBLISHED.  
 DIFFUSION RESTREINTE AMP

© COPYRIGHT 19 BY TYCO ELECTRONICS CORPORATION. ALL RIGHTS RESERVED.  
 TOUS DROITS RESERVES.

DIMENSIONS: mm		DWN/DESSINE F. JODON 19-avr-00	MATERIAL MATIERE -	FINISH FINITION -
TOLERANCES UNLESS OTHERWISE SPECIFIED: TOLERANCES NON SPECIFIEES (SUIV NB DE DECIMALES):		CHK/VERIFIE O. LEMAIRE 19-avr-00	<b>AMP</b> AMP DE FRANCE 95301 PONTOISE	
1 PLC/DEC ±-		APVD/APPROUVE -		
2 PLC/DEC ±0.2		PRODUCT SPEC SPEC. PRODUIT -	NAME TOUR	
3 PLC/DEC ±-		APPLICATION SPEC SPEC. APPLICATION -	OBJET MOS POUR CONNECTIQUE A VOLET	
4 PLC/DEC ±-			SIZE FORMAT A4	CAGE CODE 00779
ANGLES ±-			DRAWING NO No PLAN C=1308374	RESTRICTED TO RESERVE A -
WEIGHT MASSE APPROX.				
CUSTOMER DRAWING /PLAN CLIENT		UNIQUEMENT POUR REFERENCE	SCALE ECHELLE 2:1	SHEET FEUILLE 1 OF DE 1
				REV 0

单击下面可查看定价，库存，交付和生命周期等信息

[>>TE Connectivity\(泰科\)](#)