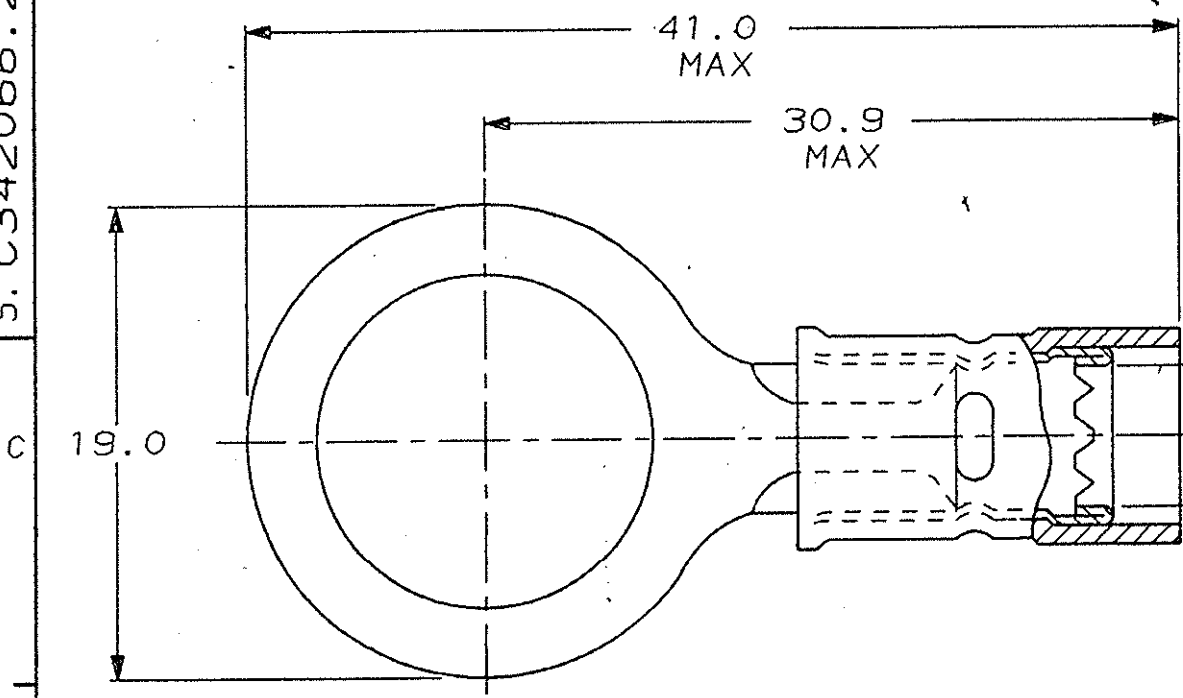


DO NOT SCALE

DIMENSIONS IN MM.



C.A.D. FILE CODE
S. C342066.2



- 1 WIRE INSUL DIA 3.81-6.35
- 2 TONGUE MAT'L THK 1.07 MAX

C
B
A

CUSTOMER DWG
FOR REFERENCE ONLY

THIS INFORMATION IS CONFIDENTIAL AND IS DISCLOSED TO YOU ON CONDITION THAT NO FURTHER DISCLOSURE IS MADE BY YOU TO OTHER THAN AMP PERSONNEL WITHOUT WRITTEN AUTHORIZATION FROM AMP OF GREAT BRITAIN LTD.

-	-	-	-
-	-	-	-
-	-	-	-
-	-	-	-
-	-	-	-
A	dr/tm	CG3A-0002	3/04
2	B. WILSON	EB00-0014-95	17/01/95
REV	APPROVED	CHANGE No.	DATE

TOLERANCES
UNLESS OTHERWISE
STATED
DEC ± 0.5
ANGLES ± 1°

DR. C. NIKER 17/01/95
CH. B. WILSON APP. B. WILSON
AMP TERMINAL HOUSE
of Great Britain Ltd. STANMORE
MIDDX.

NAME 16-14 HD PIDG R/T 12 DIA STUD
NYLON INSULATION BLACK EXP.

SCALE	LOC	SIZE	DWG.No.	REV	SHEET
NTS	E	A 4	C342066	A	1/1

单击下面可查看定价，库存，交付和生命周期等信息

[>>TE Connectivity\(泰科\)](#)