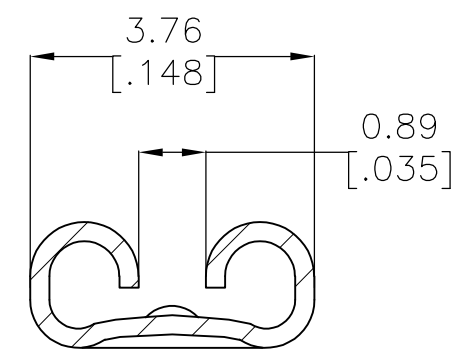
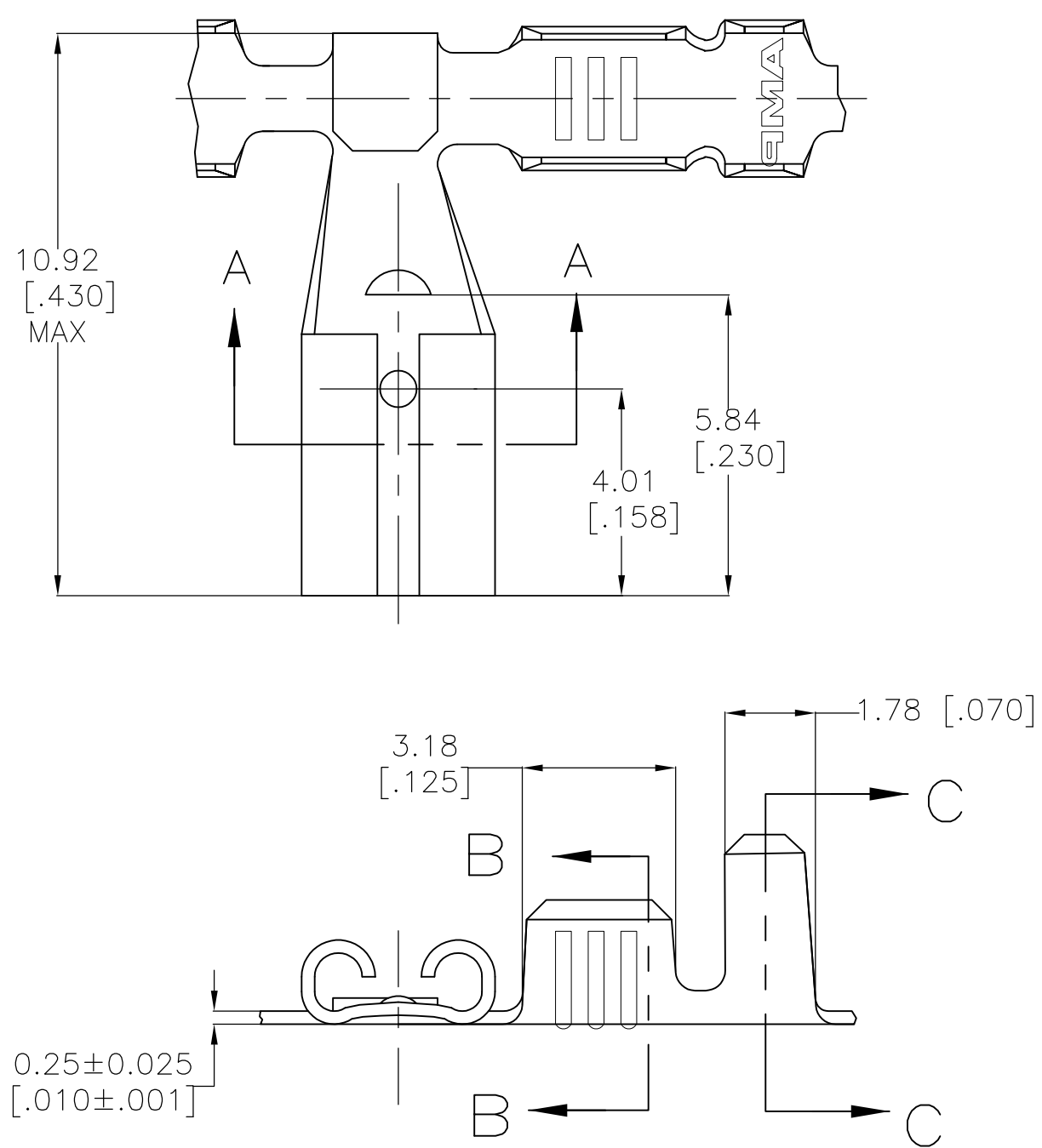


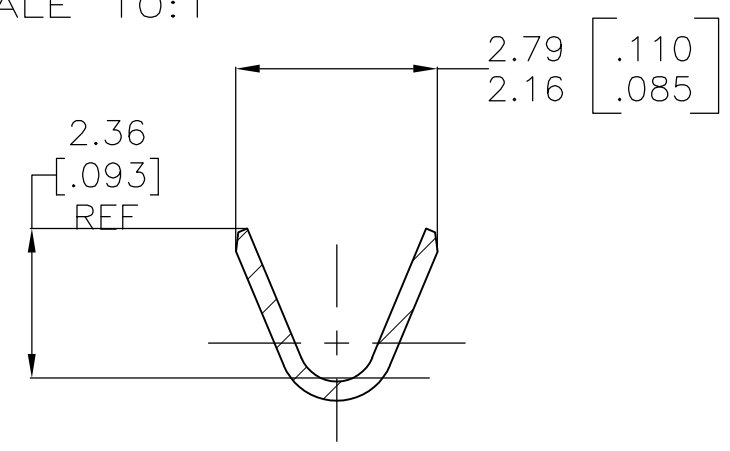
THIS DRAWING IS UNPUBLISHED. RELEASED FOR PUBLICATION
 © COPYRIGHT - By - ALL RIGHTS RESERVED.

LOC	DIST	REVISIONS			
P	LTR	DESCRIPTION	DATE	DWN	APVD
AF	50	B	REVISED PER ECR-12-013518	26NOV12	KH PD

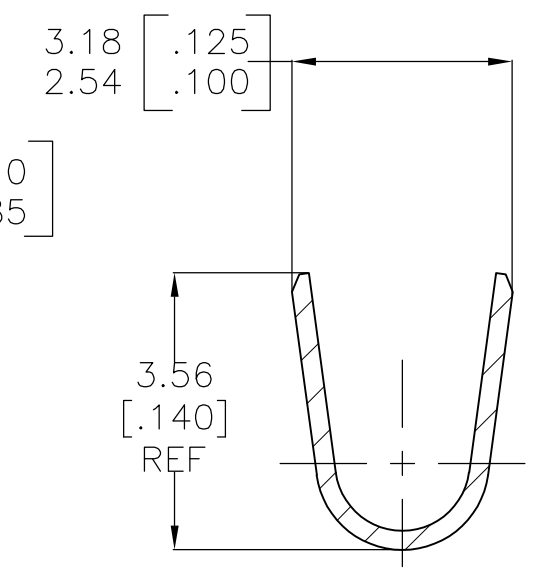
- CONTINUOUS STRIP ON REELS
- WIRE SIZE IS #22-#18 AWG
- INSULATION DIA IS 2.03-2.54 [.080-.100]
- MATING TAB THK IS 0.41±0.025 [.016±.001].



SECTION A-A
SCALE 10:1



SECTION B-B
SCALE 10:1



SECTION C-C
SCALE 10:1

1742613-1
PART NO.

THIS DRAWING IS A CONTROLLED DOCUMENT.		DWN	JR RUTH	21JUN07	STE TE Connectivity		
DIMENSIONS: mm [INCHES]		CHK	MS FEHER	21JUN07			
TOLERANCES UNLESS OTHERWISE SPECIFIED:		APVD	P DESANTIS	21JUN07	NAME		
0 PLC ± -		PRODUCT SPEC		RECEPTACLE, FASTON, FLAG, 2.79 [.110] SERIES			
1 PLC ± -		APPLICATION SPEC		SIZE	CAGE CODE	DRAWING NO	RESTRICTED TO
2 PLC ± 0.25 [.010]		MATERIAL		A3 00779 C-1742613			—
3 PLC ± -		FINISH		CUSTOMER DRAWING			SCALE
4 PLC ± -		PRE-TIN		SCALE 8:1			SHEET
ANGLES ± -		MATERIAL		SCALE 8:1			1 OF 1
FINISH		MATERIAL		SCALE 8:1			REV
PRE-TIN		MATERIAL		SCALE 8:1			B

单击下面可查看定价，库存，交付和生命周期等信息

[>>TE Connectivity\(泰科\)](#)