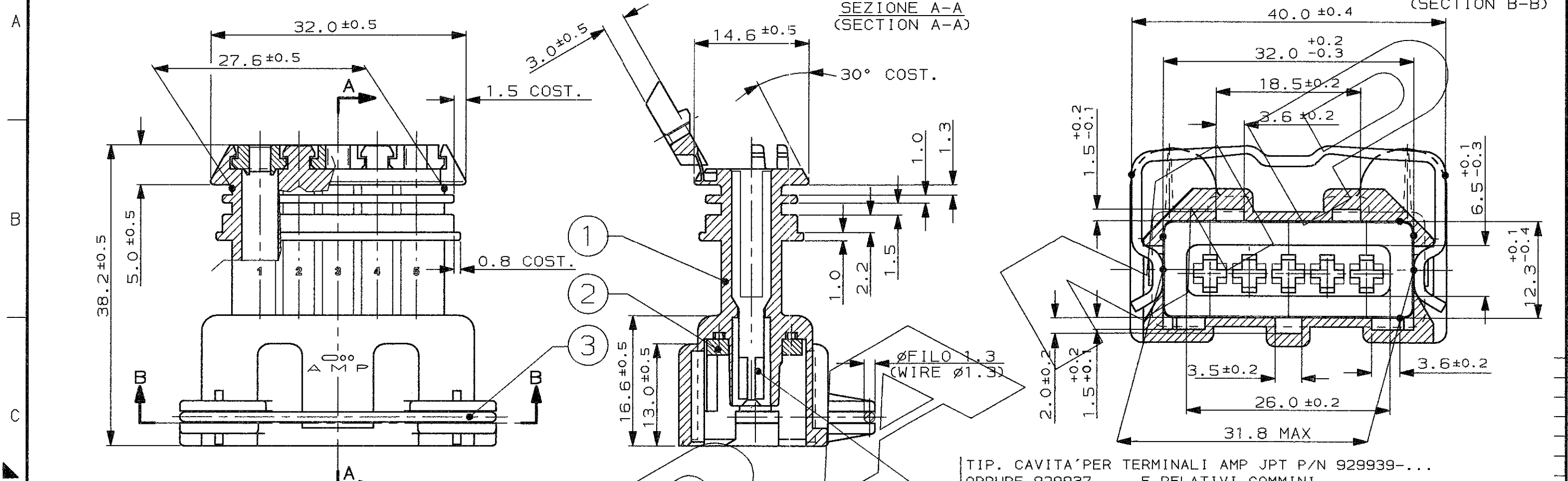


CONNETTORE TIPO A (CON MOLLA DI RITEGNO ESTERNA)  
CONNECTOR TYPE A (WITH EXTERNAL SPRING)

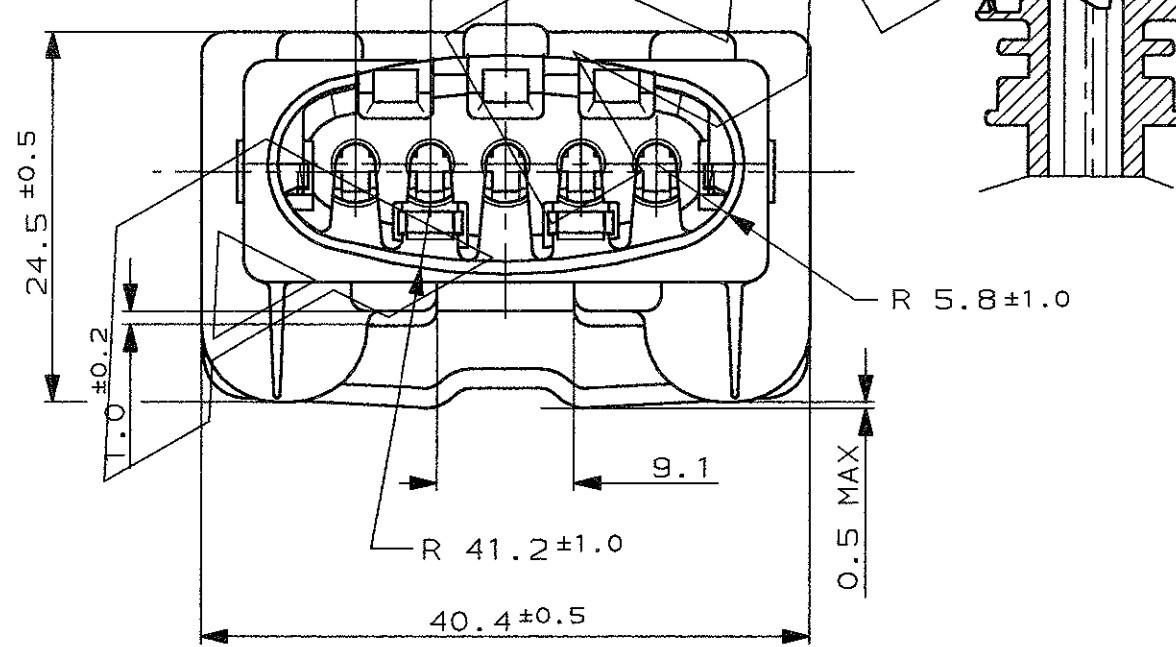
SEZIONE B-B (SECTION B-B)



ASSE CAVITA' (CAVITY CENTER LINE) ASSE CONNETTORE (CONNECTOR CENTER LINE)

TIP. CAVITA' PER TERMINALI AMP JPT P/N 929939-...  
OPPURE 929937-... E RELATIVI GOMMINI  
AMP P/N 828904-1, 828905-1, 282536-1.  
TAPPO CAVITA' P/N 828906-2  
(TYP. CAV. FOR JPT CONT. P/N 929939-... A/O 929937-... AND REL.  
SINGLE WIRE SEAL P/N 828904-1, 828905-1, 282536-1  
CAVITY PLUG P/N 828906-2)

PASSO 5.0 ± 0.15 TIP.  
(PITCH 5.0 ± 0.15 TYP.)



ROSSO (RED)	-----					
GIALLO (YELLOW)	-----					
MARRONE (BROWN)	-----					
BLU (BLUE)	-----	3	//////		ACCIAIO INOX (STAINLESS STEEL)	MOLLA (SPRING)
VERDE (GREEN)	-----					
NATURALE (NATUR)	-----	2	NATURALE (NATURAL)		GOMMA (RUBBER)	GUARNIZIONE (RUBBER GASKET)
GRIGIO (GREY)	282193-2					
NERO (BLACK)	282193-1	N	1	//////	PA 6.6	BLOCCHETTO (HOUSING)
COLORE (COLOR)	NUMERO PART. N°	REV. ASSY	N° ITEM	FINITURA / COLORE (FINISH / COLOUR)	MATERIALE (MATERIAL)	DESCRIZIONE (DESCRIPTION)

CUSTOMER DWG. FOR REFERENCE ONLY DISEGNO PER CLIENTE SOLO PER RIFERIMENTO

THIS DRAWING IS UNPUBLISHED RELEASE FOR PUBLICATION 19  
© COPYRIGHT 19 BY AMP INCORPORATED, HARRISBURG, PA. ALL INTERNATIONAL RIGHT RESERVED. AMP PRODUCTS MAY BE COVERED BY U.S. AND FOREIGN PATENT AND/OR PATENT PENDING

TOLLERANZE, SE NON DIVERSAMENTE SPECIFICATO (TOLERANCES, UNLESS OTHERWISE SPECIFIED)	DIAM. ISOLANTE (INS. DIA. RANGE)	RANGO FILO (WIRE RANGE)	SCALA (SCALE)
± 0.3	1.5-3.0 (REDUCED INS. CABLE)	0.5-2.5 mm <sup>2</sup>	***

ANGOLI (ANGLES) ± 2°

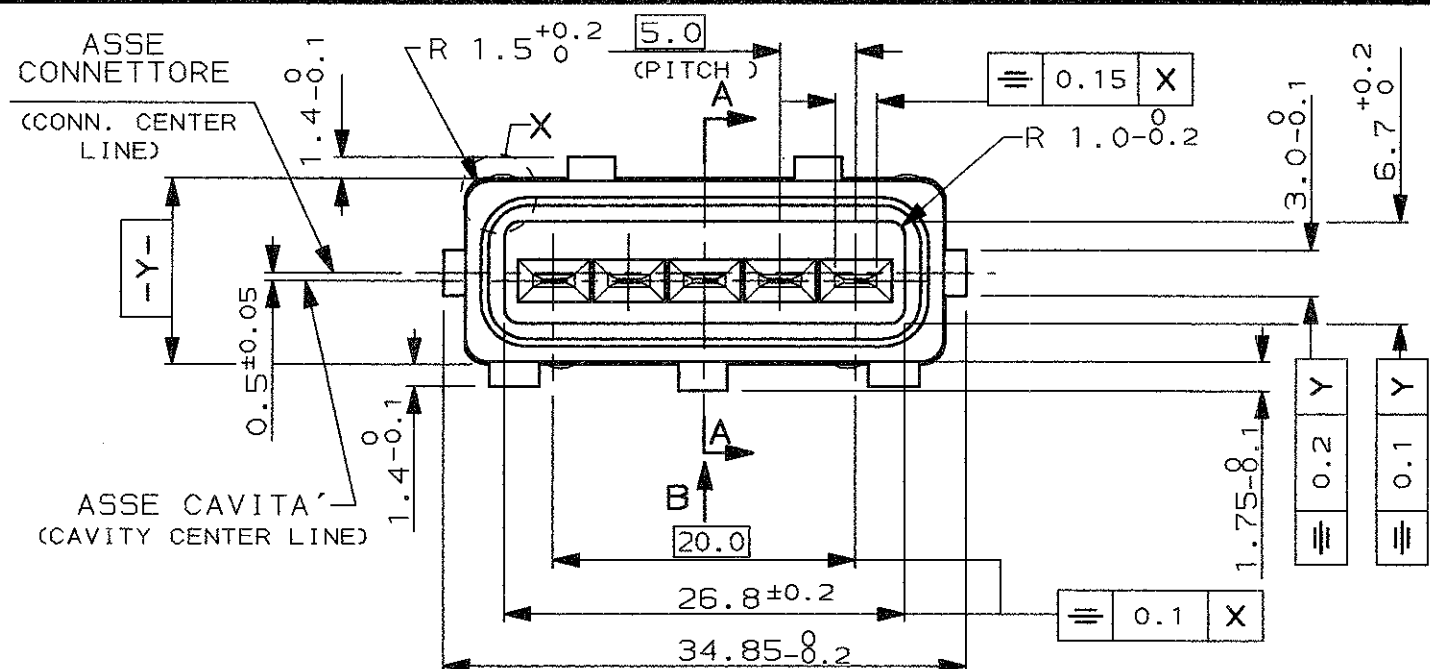
DIS. NOV. 9 '90 (DR.) Ennio CINI  
CONT. 13 OCT 92 (CHK) C. TARTARI



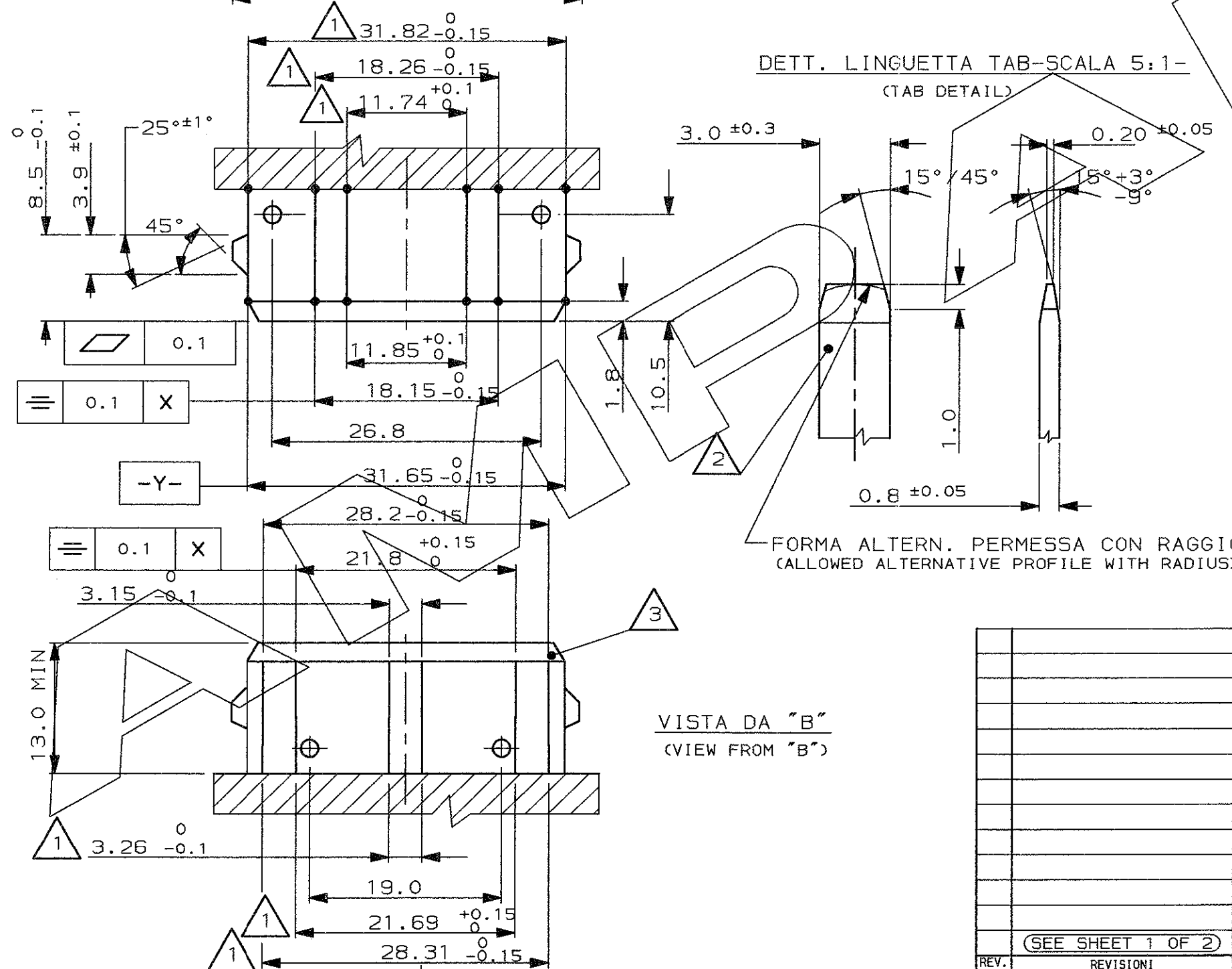
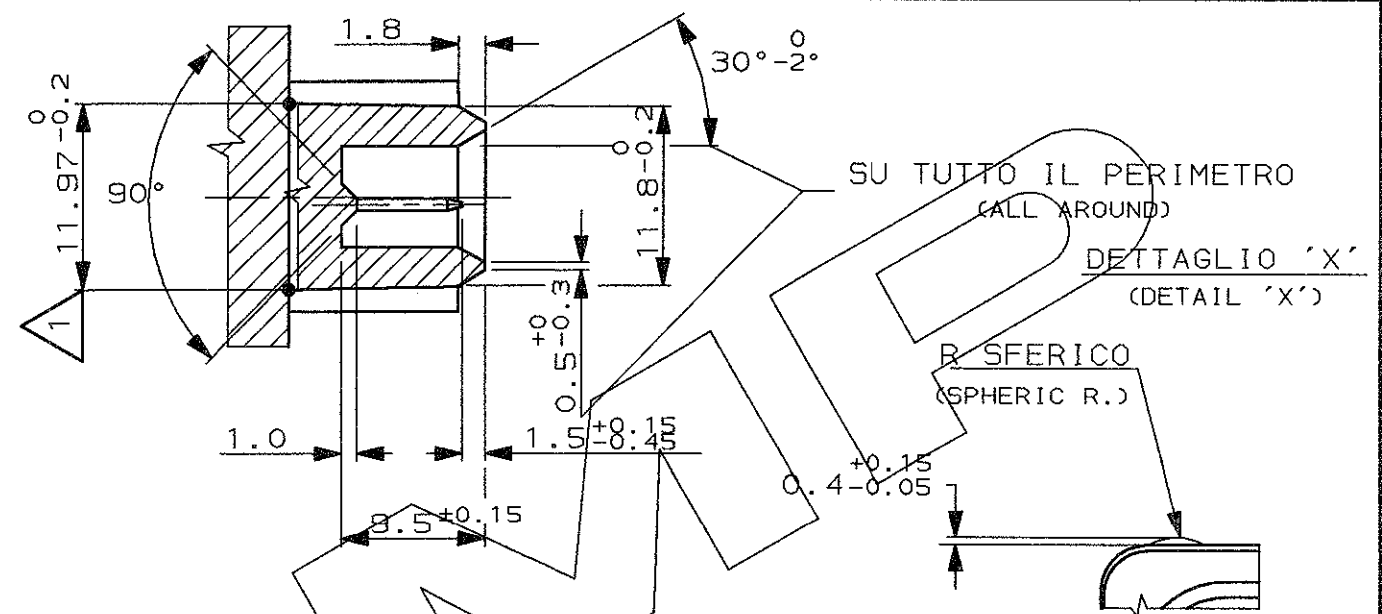
DESCRIZIONE (DESCRIPTION) 5 W. SPLASH PROOF CONN. ASS'Y with SECONDARY LOCK

N ECR-14-003472	MP	24 MAR 2014	APP. (APP.)	LOC. (LOC.)	SIZE (SIZE)	NUMERO (DWG NO)	REV.	FOGLIO (SHEET)
REV. (REV.)	REVISIONI (REVISION RECORD)	DIS. DATA (DR) (DATE)		I A3	C-282193	N	1	DI (OF) 2

DISTRIBUZIONE (PRINT DIST.)



SCALA NON IMPEGNATIVA (DO NOT SCALE)  
DIMENSIONI IN mm (DIMENSIONS IN mm)  
**METRIC**  
PROIEZIONE EUROPEA (EUROPEAN PROJECTION)



- 1 QUOTE APPLICABILI PER SFORMATURA PEZZO (DRAFT PERMITTED TO FACILITATE REMOVAL OF PART FROM THE MOULD)
- 2 MATERIALE LINGUETTE: LEGA DI RAME STAGNATA, ES. OTTONE STAGNATO. (TAB CONTACT MATERIAL: TIN PLATED COPPER ALLOY. E.G. BRASS TIN PLATED)
- 3 MATERIALE BLOCCHETTO: TERMOPLASTICO CARICATO FIBRA VETRO. (HOUSING MATERIAL: THERMOPLASTIC, GLASS FIBER FILLED)

DISTRIBUZIONE (PRINT DIST.)

FINITURA / COLORE (FINISH / COLOUR)		MATERIALE (MATERIAL)	NUMERO (PART NUMBER)
CUSTOMER DWG. FOR REFERENCE ONLY		DISEGNO PER CLIENTE SOLO PER RIFERIMENTO	
THIS DRAWING IS UNPUBLISHED		RELEASE FOR PUBLICATION	19
© COPYRIGHT 19 BY AMP INCORPORATED, HARRISBURG, PA. ALL INTERNATIONAL RIGHT RESERVED. AMP PRODUCTS MAY BE COVERED BY U.S. AND FOREIGN PATENT AND/OR PATENT PENDING			
TOLLERANZE, SE NON DIVERSAMENTE SPECIFICATO (TOLERANCES, UNLESS OTHERWISE SPECIFIED)	DIAM. ISOLANTE (INS. DIA. RANGE)	RANGO FILO (WIRE RANGE)	SCALA (SCALE)
± 0.3	SEE SHEET 1 OF 2	SEE SHEET 1 OF 2	---
ANGOLI (ANGLES)	± 2°		
DIS. (DR.)	DESCRIZIONE (DESCRIPTION)		
CONT. (CHK)	5 POS. SPLASH PROOF CONN. ASS'Y with SECONDARY LOCK		
APP. (APP)	LOC. (LOC)	SIZE (SIZE)	NUMERO (DWG NO)
SEE SHEET 1 OF 2	I A3	C-282193	REV. (REV)
REV. (REV)	REVISIONI (REVISION RECORD)	DIS. DATA (DATE)	FOGLIO (SHEET) DI (OF)
			2 OF 2

单击下面可查看定价，库存，交付和生命周期等信息

[>>TE Connectivity\(泰科\)](#)