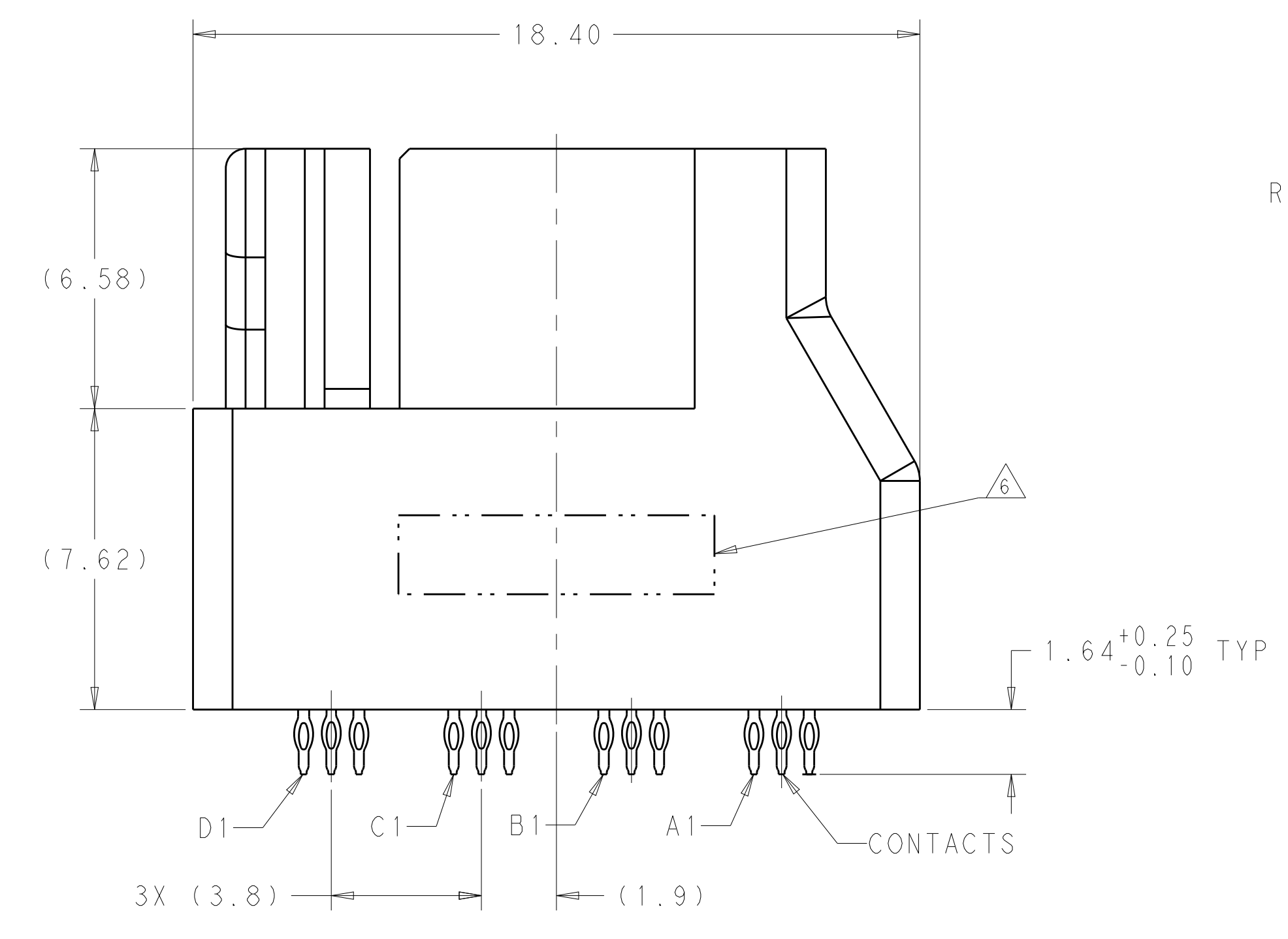
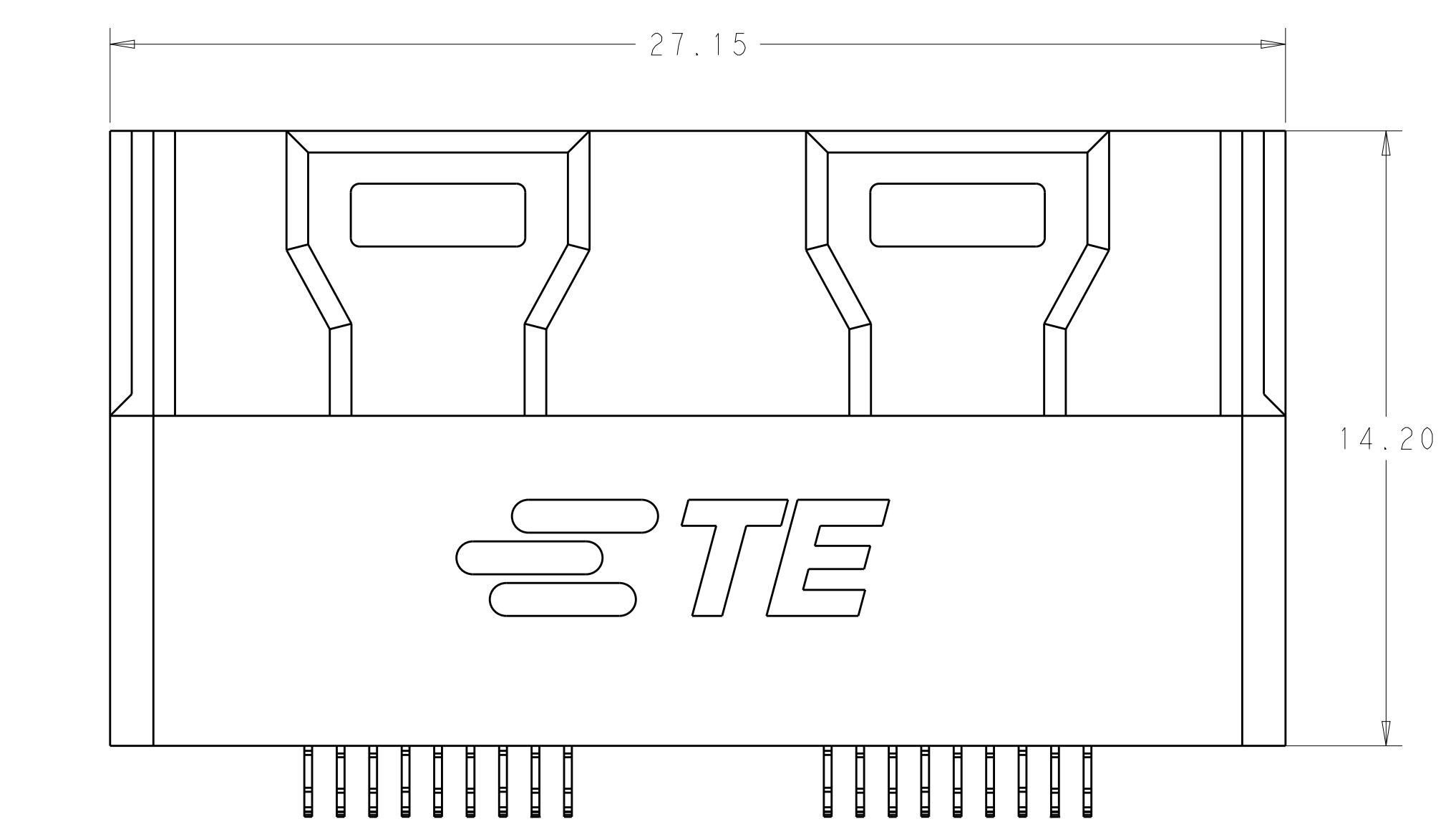
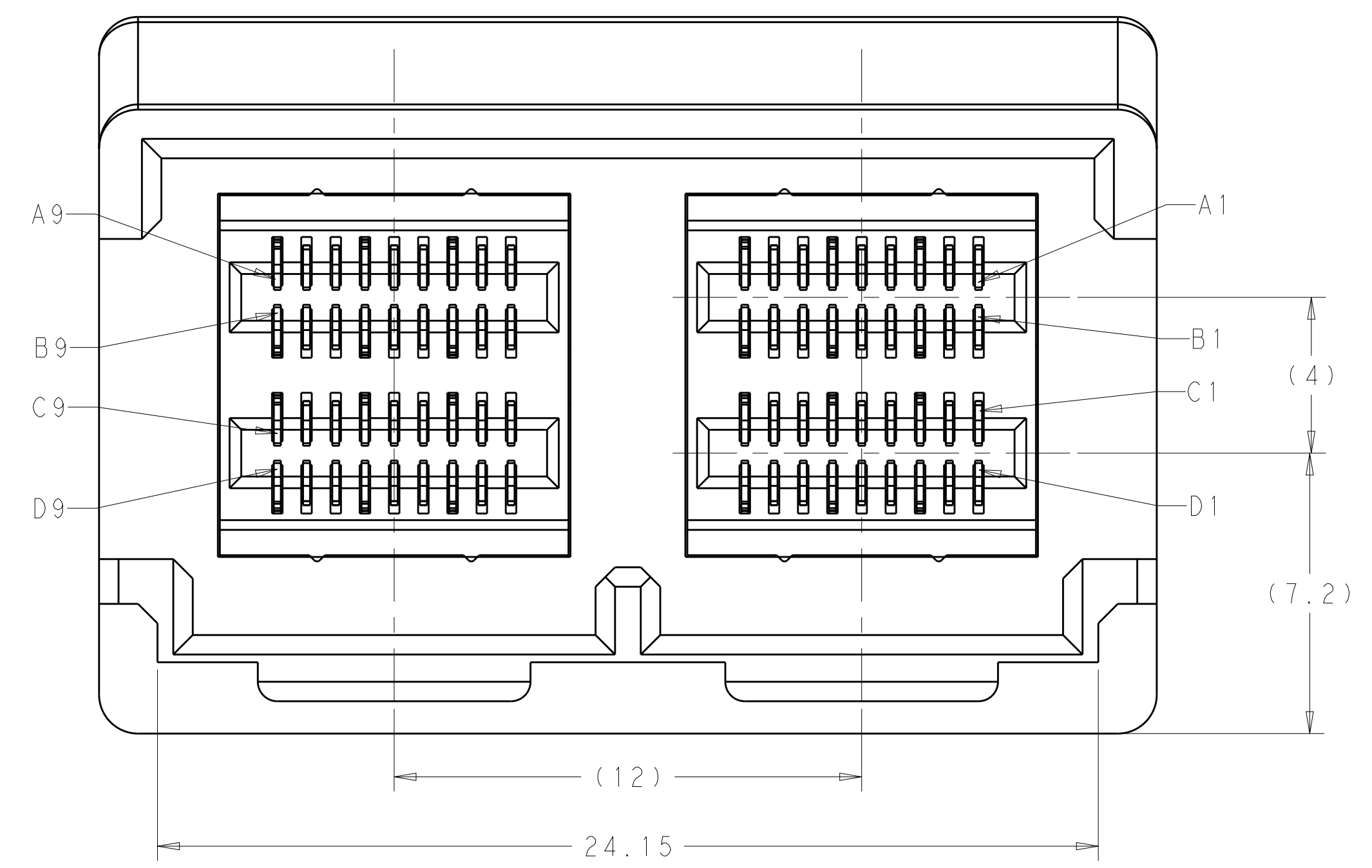
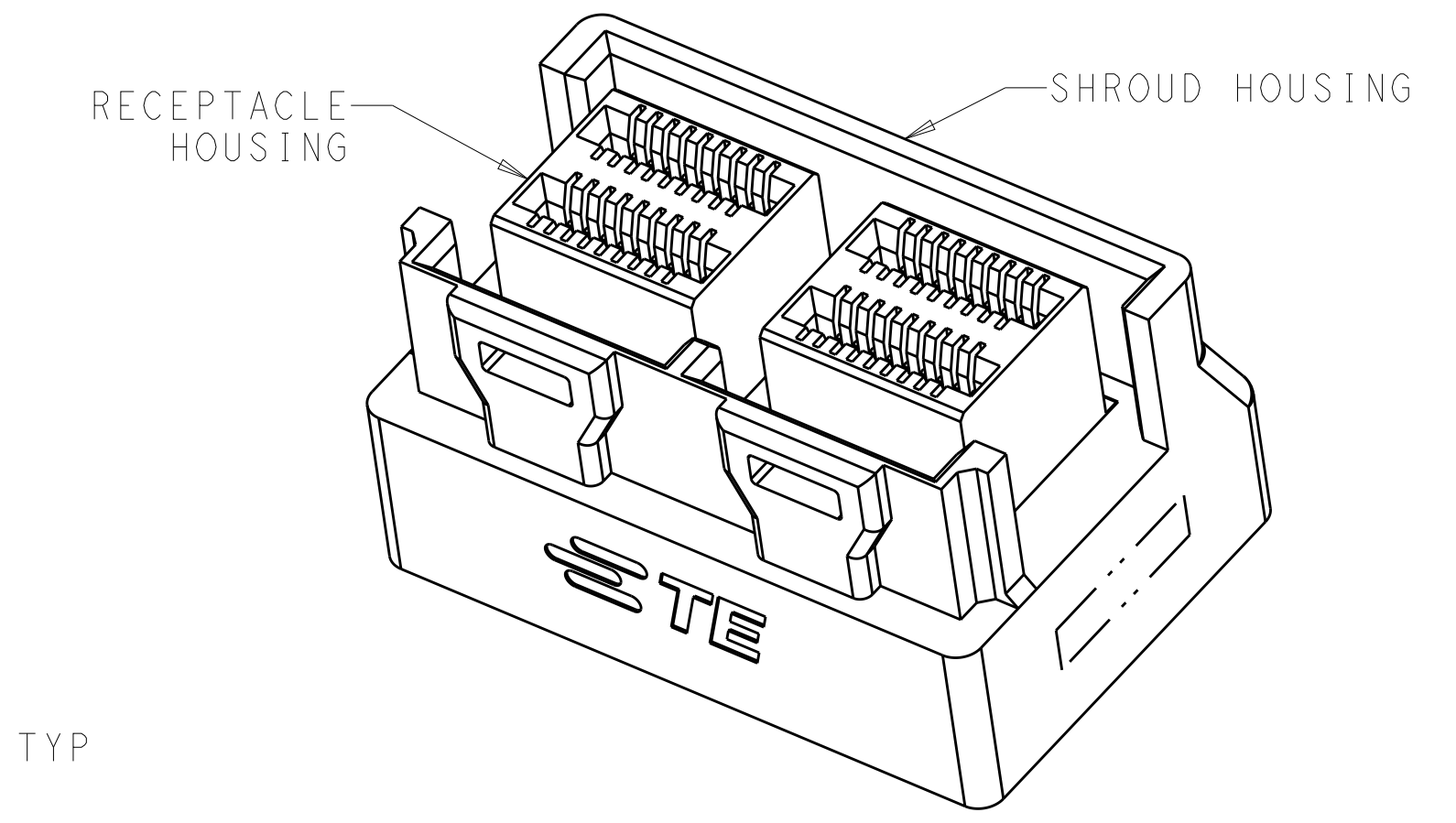


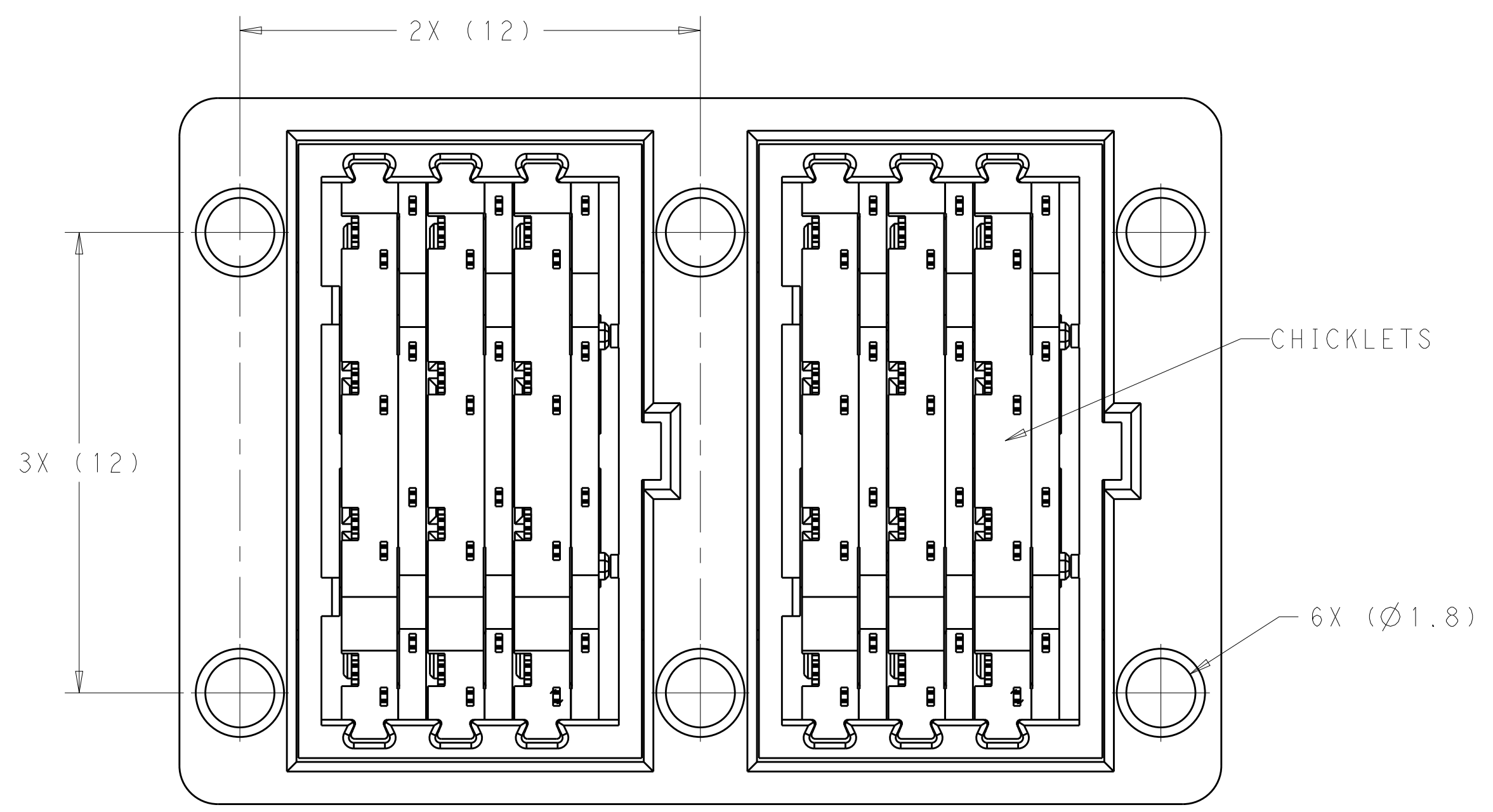
LOC	DIST	REVISIONS			
P	LTN	DESCRIPTION	DATE	DWN	APVD
GP	00	A	REVISED PER ECO-15-000199	13JAN2015	AP DG



- 1. HOUSINGS AND CHICKLETS: LCP, BLACK, UL94V-0 RATED. CONTACTS: COPPER ALLOY.
- 2. CONFORMS TO THE REQUIREMENTS OF TE PRODUCT SPECIFICATION, 108-32038 BASED ON EIA/ECA-364-1000.01A (CONTROLLED ENVIRONMENT APPLICATIONS) ON MATING END. TIN PLATED ON PCB TAIL.
- 3. MATES WITH TE PLUG 2227603-1.
- 4. MOUNTING HARDWARE M2x1.35 SELF-THREADING SCREW. SCREW LENGTH OF FASTENER = PCB THICKNESS + 3.0mm MAX (1.75mm MIN) MOUNTING HARDWARE NOT INCLUDED.
- 5. RECOMMENDED COMPONENT KEEP OUT ZONE.
- 6. PART NUMBER AND DATE CODE MARKED IN APPROXIMATE AREA SHOWN.



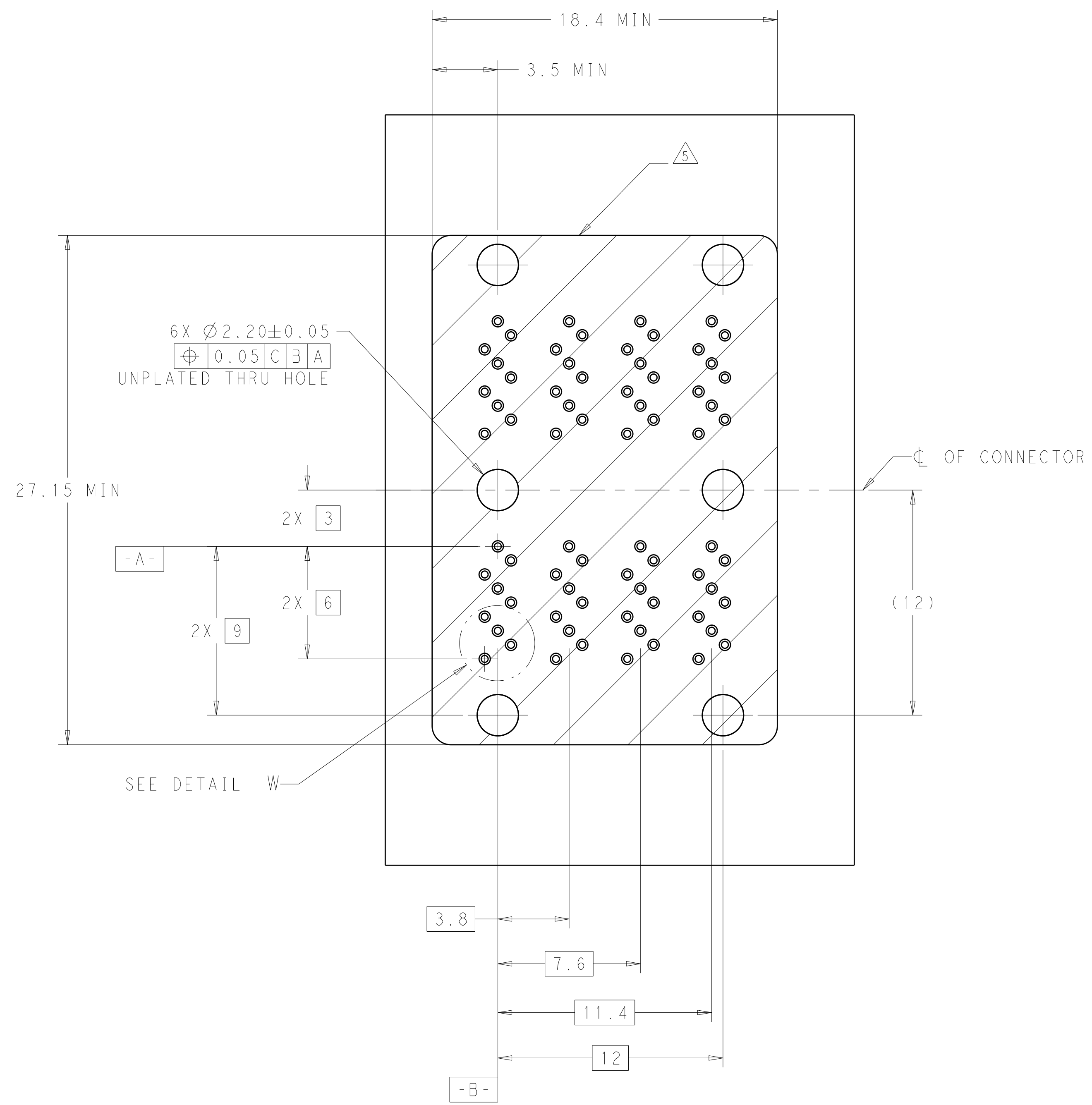
SCALE 4:1



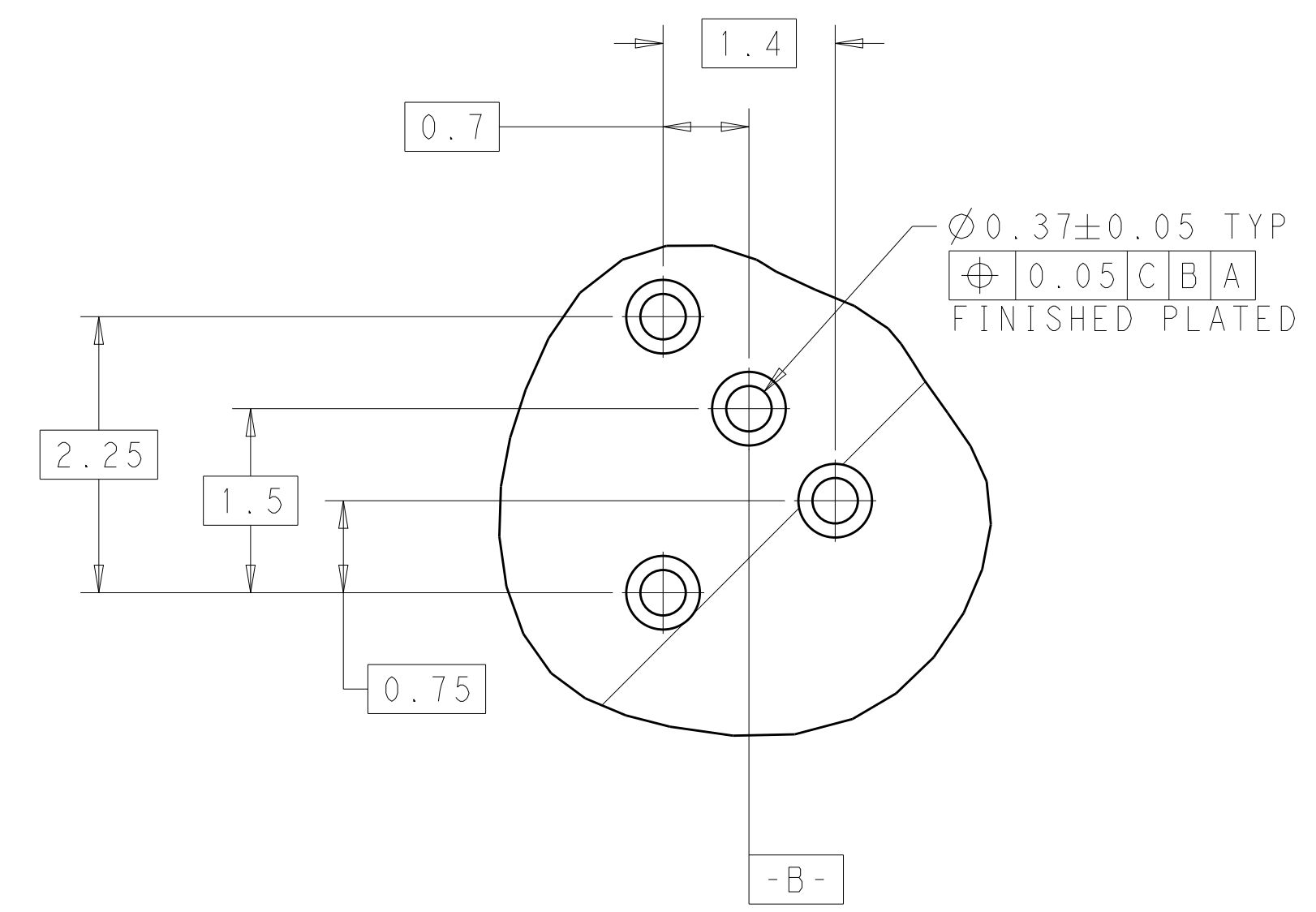
2227640-1
PART NUMBER

THIS DRAWING IS A CONTROLLED DOCUMENT.		DWN: R. TREA 26DEC2012	TE Connectivity RECEPTACLE ASSEMBLY, 1X2, VERTICAL, INTERNAL MINI SAS HD
DIMENSIONS: mm		CHK: R. HENRY 26DEC2012	
TOLERANCES UNLESS OTHERWISE SPECIFIED:		APVD: -	NAME: -
0 PLC	±	PRODUCT SPEC	108-32038
1 PLC	±0.10	APPLICATION SPEC	114-32101
2 PLC	±	SIZE	A1
3 PLC	±	CAGE CODE	00779
4 PLC	±	DRAWING NO	C=2227640
ANGLES	±	WEIGHT	-
FINISH	±	CUSTOMER DRAWING	-
MATERIAL:		SCALE	4:1
		SHEET	1 OF 2
		REV	A

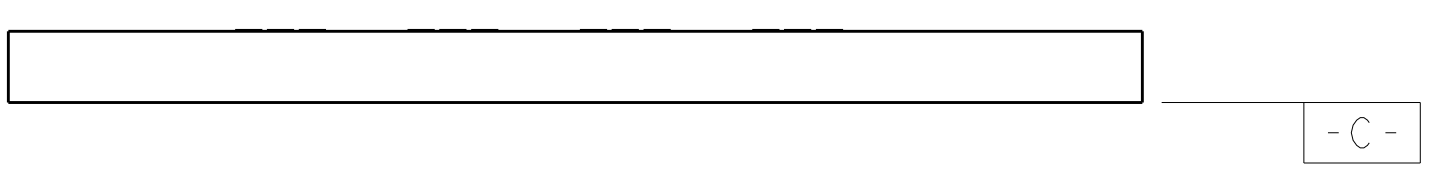
LOC	DIST	REVISIONS			
P	LTN	DESCRIPTION	DATE	DWN	APVD
GP	00	SEE SHEET 1	-	-	-



RECOMMENDED PCB LAYOUT
 SCALE 6:1



DETAIL W
 SCALE 20:1



THIS DRAWING IS A CONTROLLED DOCUMENT.		DWN R. IREA 26DEC2012	TE Connectivity
DIMENSIONS: mm		CHK R. HENRY 26DEC2012	
TOLERANCES UNLESS OTHERWISE SPECIFIED: 0 PLC \pm 1 PLC ± 0.10 2 PLC \pm 3 PLC \pm 4 PLC \pm ANGLES \pm FINISH		APVD -	NAME RECEPTACLE ASSEMBLY, 1X2, VERTICAL, INTERNAL MINI SAS HD
MATERIAL		PRODUCT SPEC 108-32038	RESTRICTED TO
		APPLICATION SPEC 114-32101	SIZE A100779
		WEIGHT	CAGE CODE C=2227640
		CUSTOMER DRAWING	SCALE 4:1 SHEET 2 OF 2 REV A

单击下面可查看定价，库存，交付和生命周期等信息

[>>TE Connectivity\(泰科\)](#)