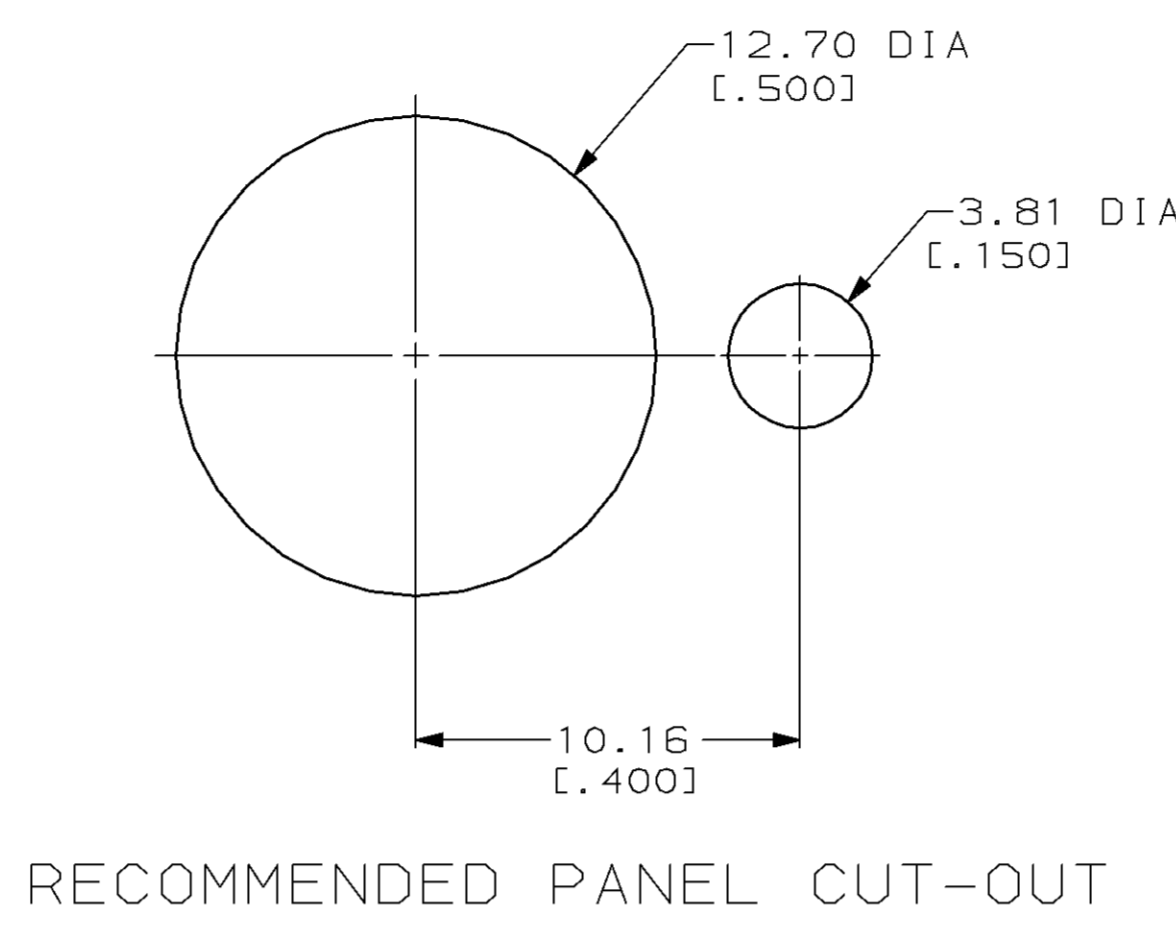
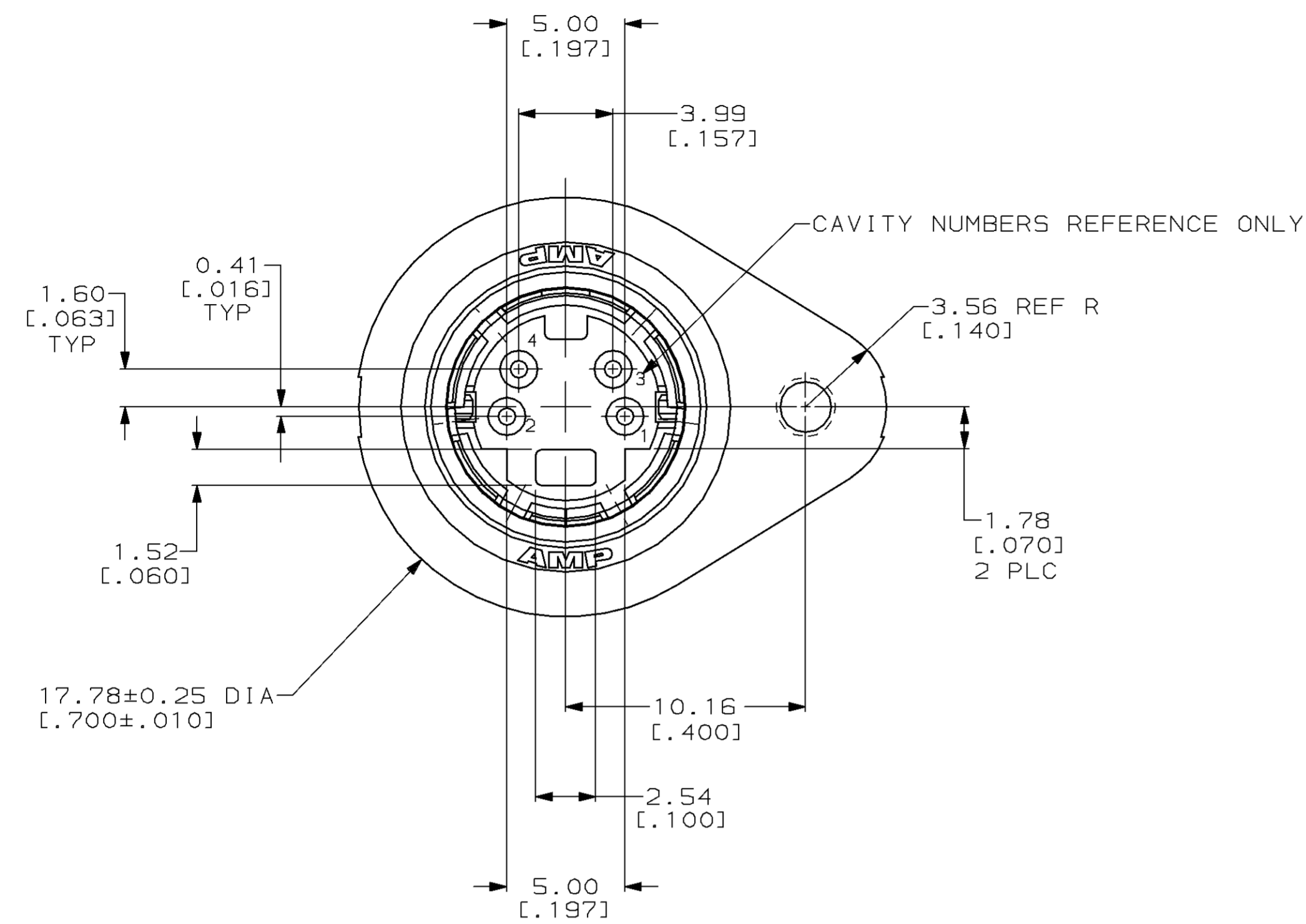
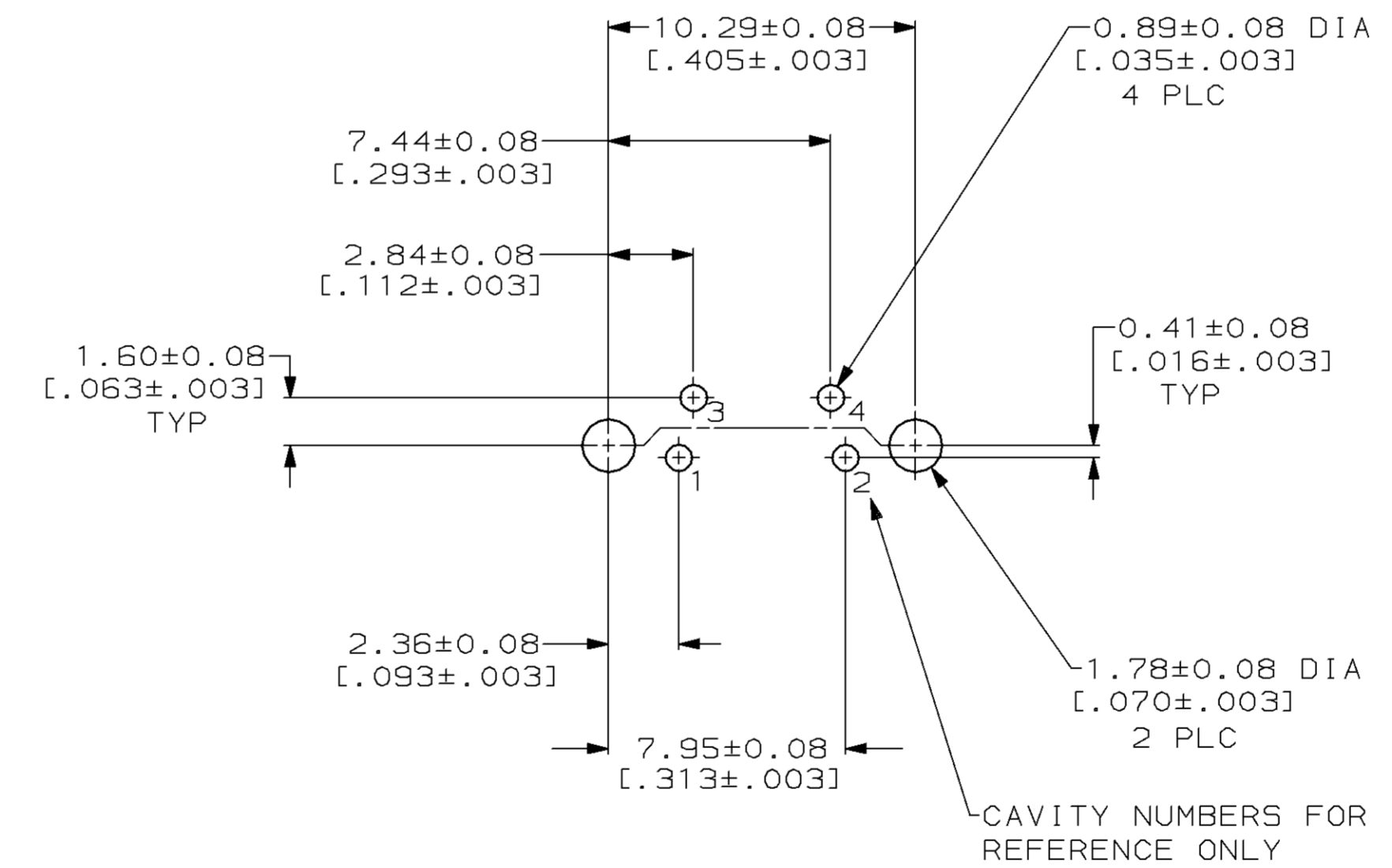
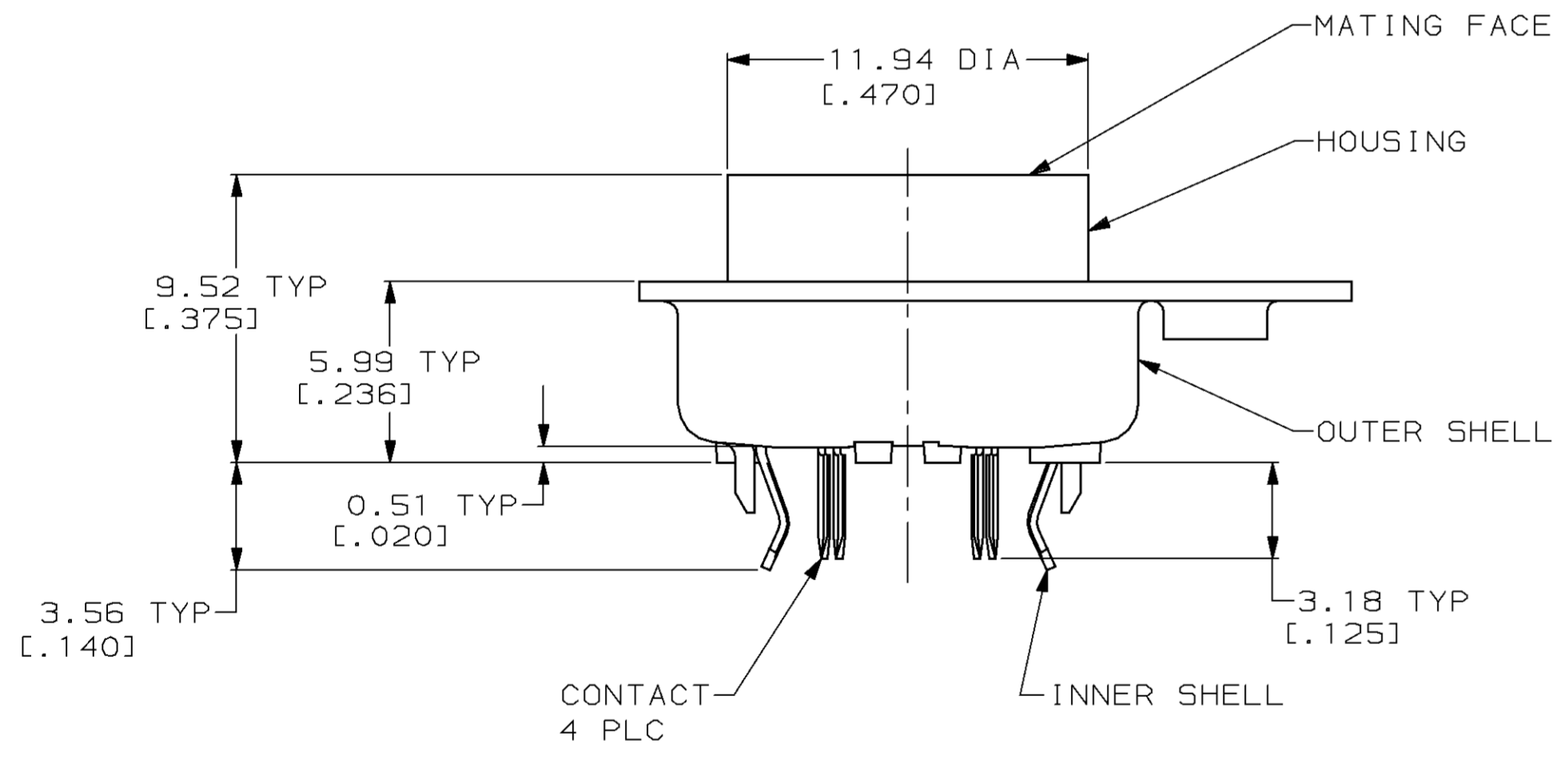


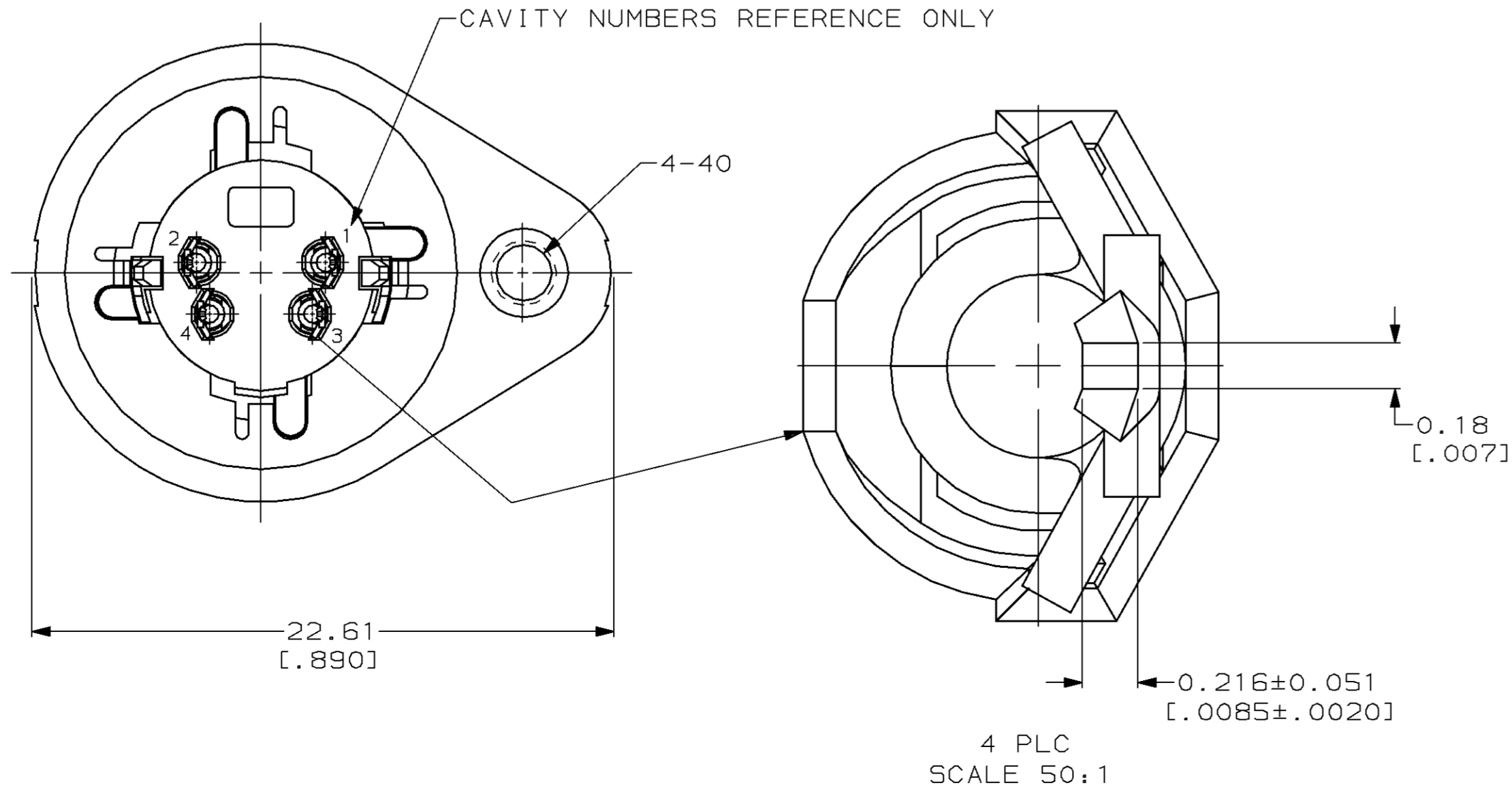
LOC		REVIS		REVISIONS				
BD	26	P	F	ZONE	LTR	DESCRIPTION	DATE	APPD
						RLSE WAS 90-4837-4-1 & -2, NPR 2960	8-90	-
						REVISED PER ECN BD4681	02/08/91	-
						OBS -1 PER EC 0020-1537-93	03/30/94	RB



- △ SHELLS: BRASS; CONTACTS: PHOSPHOR BRONZE; HOUSING: POLYESTER, UL 94V-0 RATED, BLACK.
- △ 0.76 μm [.000030] MIN GOLD ON MATING END FOR A LENGTH OF 1.37 [.054] MIN ON INSIDE, 2.54 μm [.000100] MIN TIN-LEAD FOR A LENGTH OF 3.30 [.130] MIN FROM OPPOSITE END, ALL OVER 1.27 μm [.000050] MIN NICKEL.
- △ 0.38 μm [.000015] MIN GOLD ON MATING END FOR A LENGTH OF 1.37 [.054] MIN ON INSIDE, 2.54 μm [.000100] MIN TIN-LEAD FOR A LENGTH OF 3.30 [.130] MIN FROM OPPOSITE END, ALL OVER 1.27 μm [.000050] MIN NICKEL.
- △ 2.54 μm [.000100] MIN TIN-LEAD OVER 1.27 μm [.000050] MIN NICKEL.
- △ GOLD PLATING PER MIL-G-45204, TIN PLATING PER MIL-T-10727, NICKEL PLATING PER QQ-N-290, COPPER PLATING PER MIL-C-14550.
- 6. RECEPTACLE ASSEMBLY MATES WITH 4 PIN, 8.99±0.10 [.354±.004] DIAMETER PLUG.
- △ 3.81 μm [.000150] MIN TIN-LEAD OVER 2.54 μm [.000100] MIN COPPER.



RECOMMENDED PC BOARD LAYOUT
 BOTTOM VIEW



DO NOT SCALE PRINT. UNLESS SPECIFIED DIMENSIONS IN mm [INCHES]		DR 8-6-90 J McCLINTON	750319-2	
TOLERANCES: ON ; 2 PLC DEC ± 0.13 [.005] 3 PLC DEC ± - ANGLES ± -		CHK 9-5-90 R STONE	750319-1	
MATERIAL		APPD 9-5-90 R WHYNE	PART NO	
FINISH △ CONTACTS: SEE TABLE INNER SHELL: △ OUTER SHELL: △		APPD 9-10-90 J FULPONI	AMP Incorporated Harrisburg, PA 17105-3608	
APPLICATION SPEC		PRODUCT SPEC	NAME RECEPTACLE ASSEMBLY, 4 POSN, LOW FLANGE, SHIELDED, VERTICAL, MINIATURE CIRCULAR DIN	
SIZE	CAGE CODE	DRAWING NO	750319	
D	00779	750319	SHEET 1 OF 1	
SCALE	5:1	CUSTOMER DRAWING		

单击下面可查看定价，库存，交付和生命周期等信息

[>>TE Connectivity\(泰科\)](#)