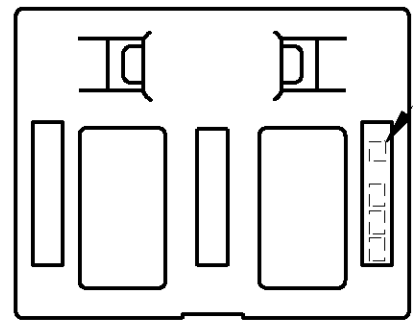
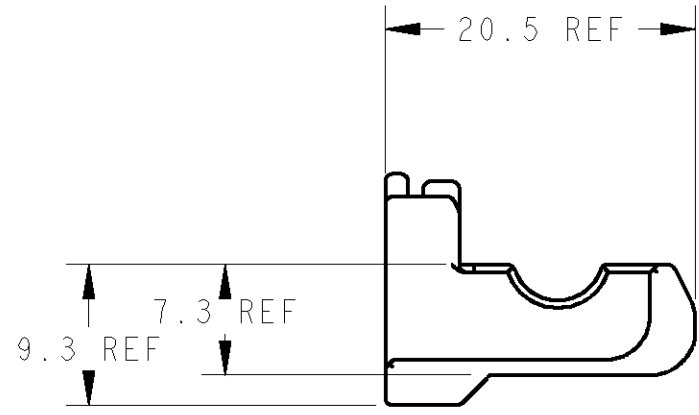
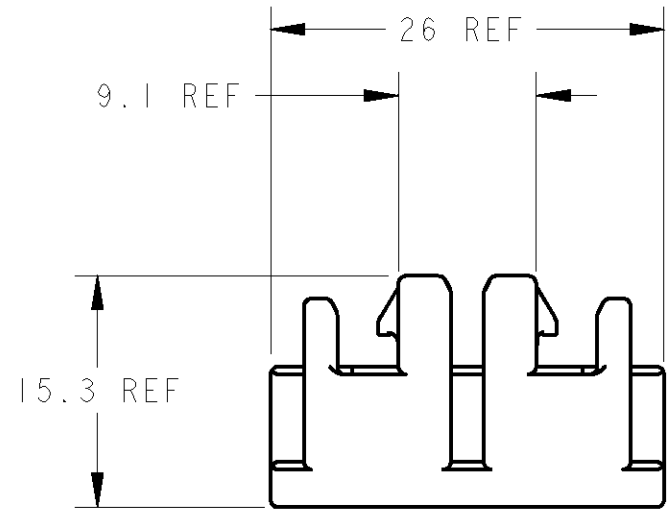
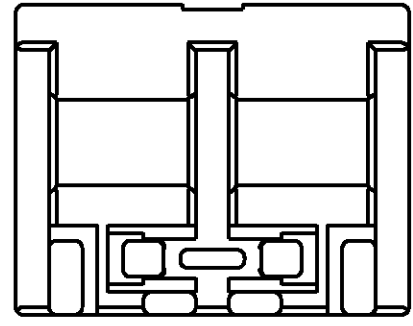


THIS DRAWING IS UNPUBLISHED. RELEASED FOR PUBLICATION 2006
 © COPYRIGHT 2006 BY TYCO ELECTRONICS CORPORATION. ALL RIGHTS RESERVED.

LOC	DIST	REVISIONS					
		P	LTR	DESCRIPTION	DATE	DWN	APVD
J	-		A	RELEASED	05SEP06	SS	SI
			B	REVISED	26MAY10	TS	KB
				ECR-10-007504			



LOGO MARK

- MATING CONNECTOR IS:
TYCO P/N: 1612275-3/1747137-3/1612275-4/1747137-4
- HANDLING OF THIS PART SHOULD FOLLOW INSTRUCTION SHEET NO. 411-78084.
- ASSEMBLED BY CUSTOMER.

- 嵌合相手品番
TYCO P/N: 1612275-3/1747137-3/1612275-4/1747137-4
- 本部品取扱は取扱説明書NO. 411-78084に従うこと
- クリップは顧客にて組立てられる。

PAPER BOX ダンボール箱	PLASTIC BAG ビニール袋	BLACK	1939393-1
OUTER 外装	INNER 内装	COLOR	P/N
PACKING STYLE 梱包形態			

THIS DRAWING IS A CONTROLLED DOCUMENT FOR TYCO ELECTRONICS CORPORATION IT IS SUBJECT TO CHANGE AND THE CONTROLLING ENGINEERING ORGANIZATION SHOULD BE CONTACTED FOR THE LATEST REVISION.		DWN	05SEP06	Tyco Electronics Corporation	
DIMENSIONS: 単位: ㎜ mm		CHK	05SEP06	Kawasaki, Japan	
TOLERANCES UNLESS OTHERWISE SPECIFIED: 一般公差 ±0.5 0-PLC ± 1-PLC ±0.5 2-PLC ±0.50 3-PLC ±0.500 4-PLC ±0.5000 ANGLES ±3'00"		APVD	05SEP06	NAME S. ISOHATA	
		PRODUCT SPEC	108-5891	0.64/2.311 SEALED CLIP	
MATERIAL 材料	PBT	FINISH 仕上	SEE TABLE	WEIGHT	3.6 g
		SIZE	A3	CAGE CODE	00779
		DRAWING NO	C=1939393		RESTRICTED TO
		SCALE	2:1	SHEET	1 OF 1
		CUSTOMER DRAWING		REV	B

单击下面可查看定价，库存，交付和生命周期等信息

[>>TE Connectivity\(泰科\)](#)