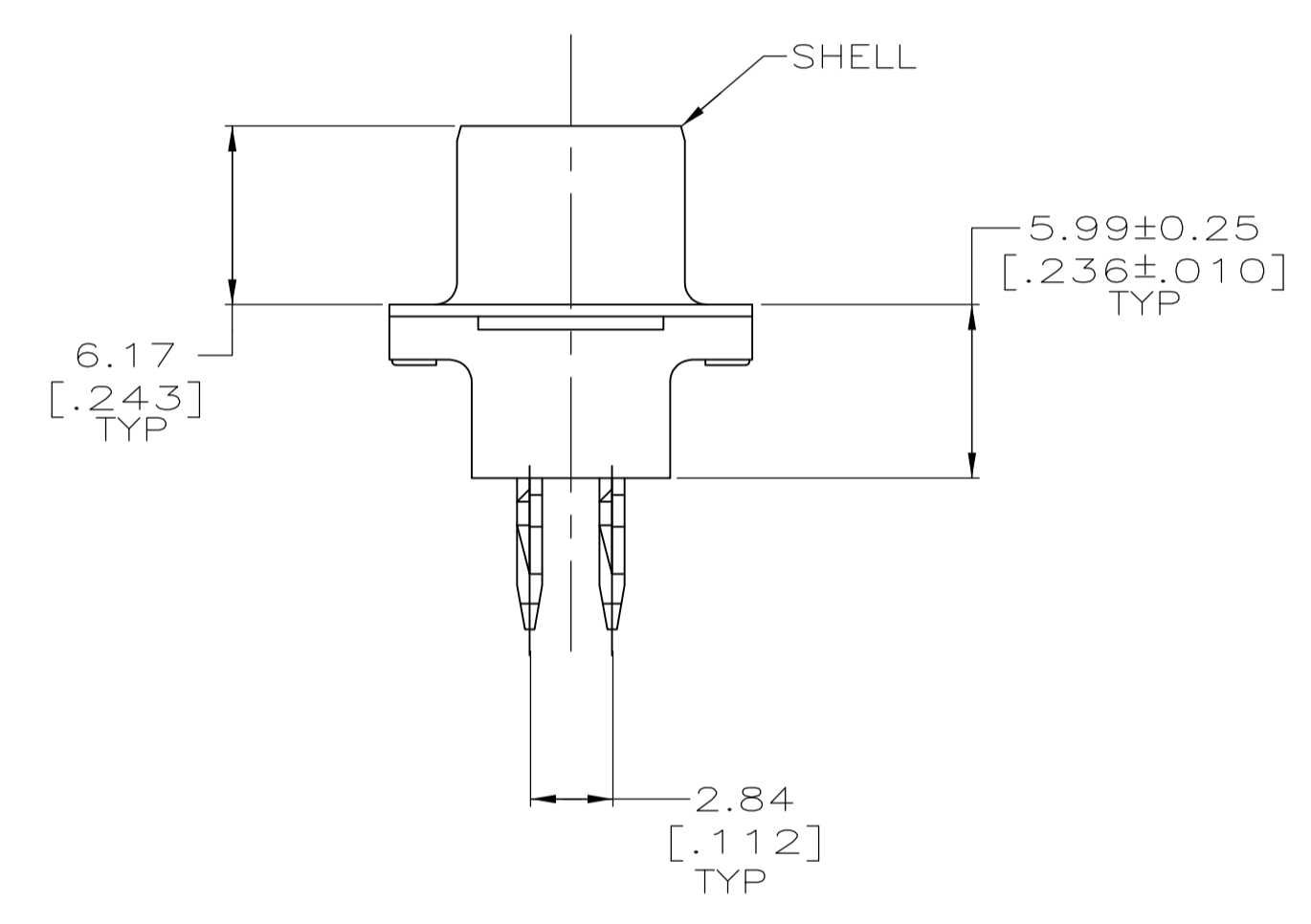
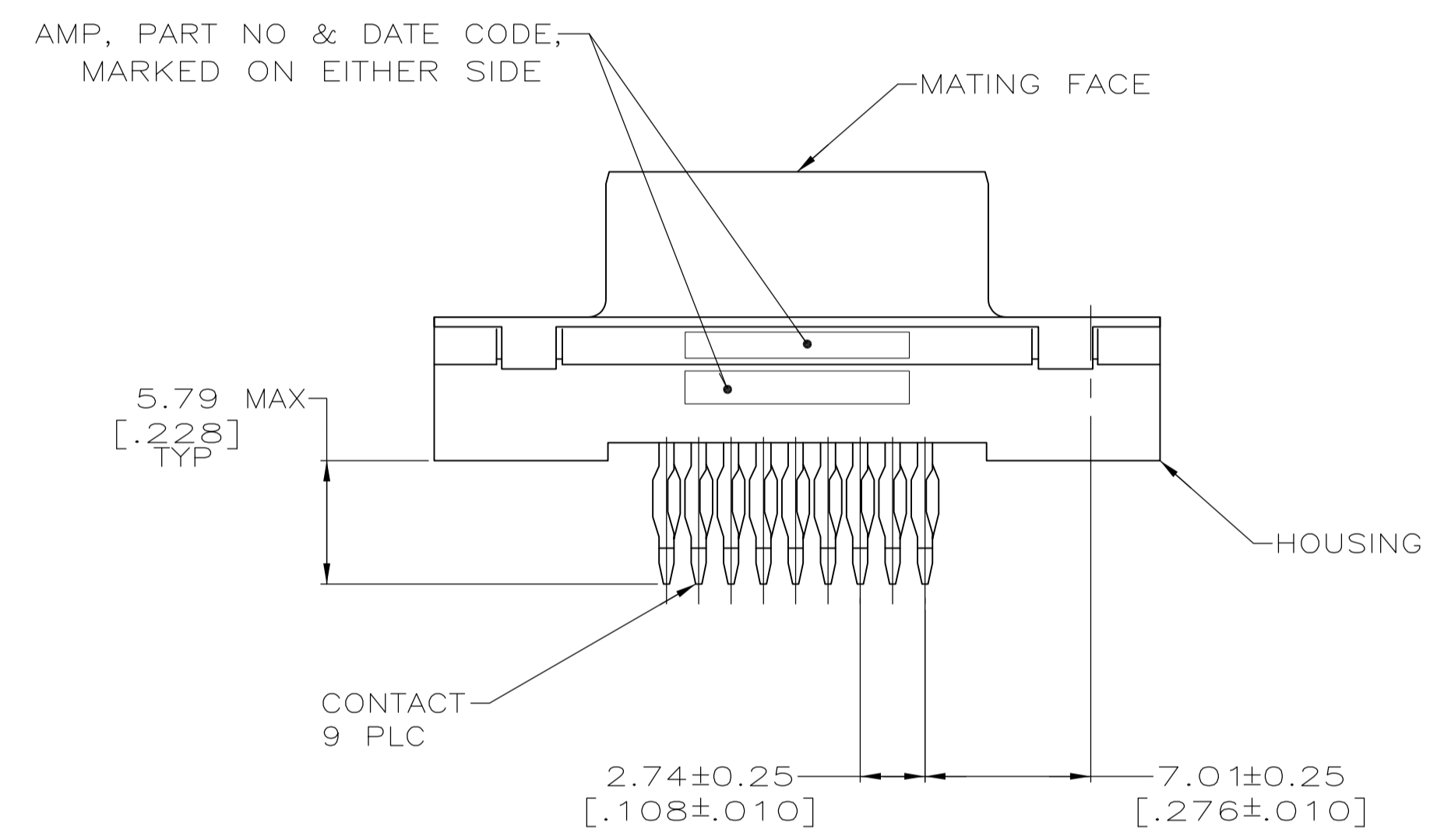
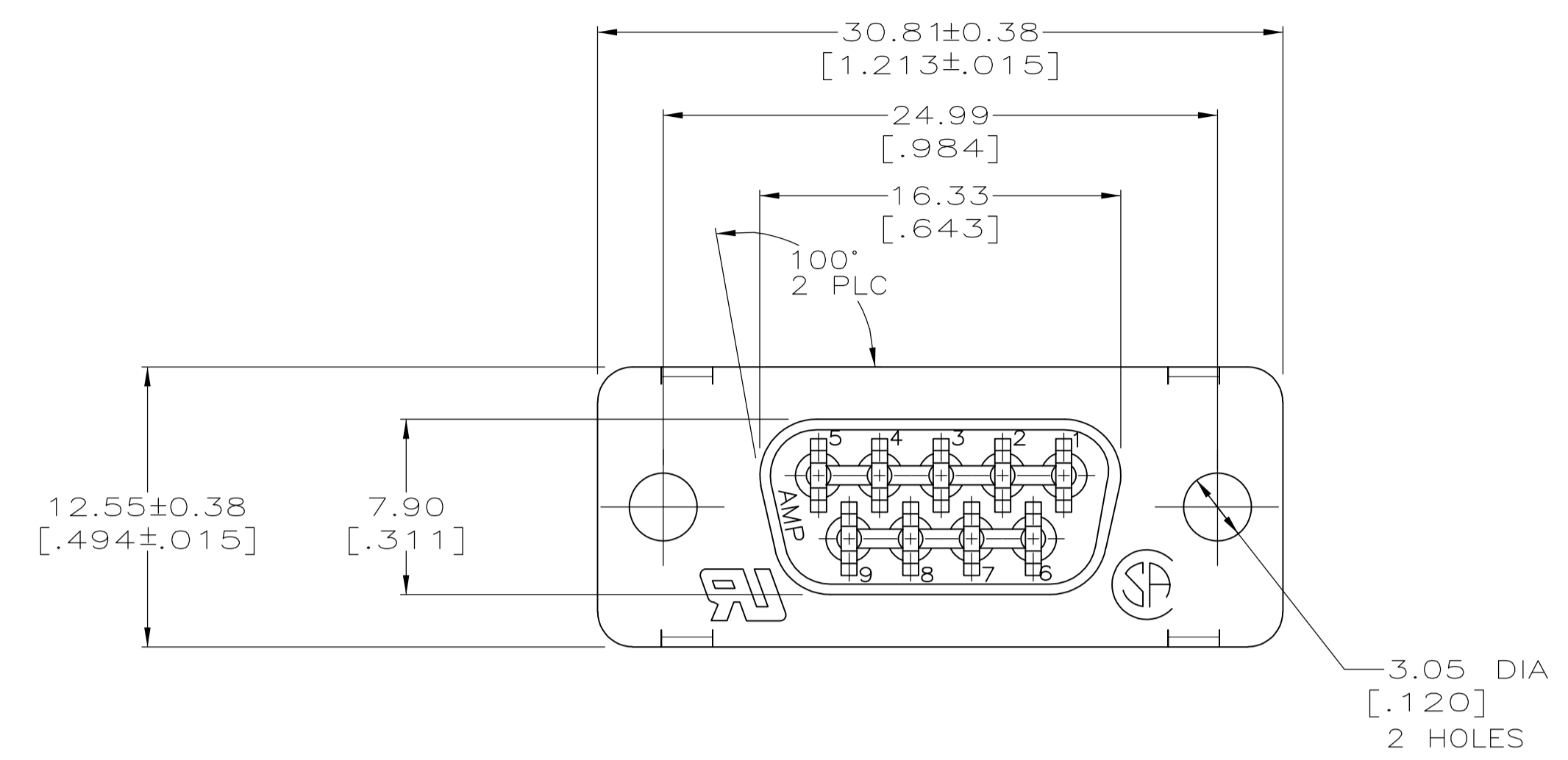


LOC		DIST		REVISIONS			
P	LTR	DESCRIPTION	DATE	DMN	APVD		
M		REVISED PER ECO-12-000090	30JAN2012	CJV	SLB		



- ① FOR USE WITH 2.36 [.093] MINIMUM THICK PRINTED CIRCUIT BOARD. REFER TO APPLICATION SPECIFICATION FOR PRINTED CIRCUIT BOARD LAYOUT DIMENSIONS AND FINISH RECOMMENDATIONS.
- ② HOUSING: NYLON OR POLYESTER, UL 94V-0 RATED, GLASS FILLED, BLACK.
- ③ CONTACTS: COPPER ALLOY.
- ④ SHELL: CARBON STEEL.
- ⑤ GOLD FLASH IN MATING AREA. 2.54 MICROMETERS [.000100] MINIMUM TIN OR TIN-LEAD ON COMPLIANT PIN. ALL OVER 1.27 MICROMETERS [.000050] MINIMUM NICKEL.
- ⑥ SHELL: 5.08 μm [.000200] MIN TIN OVER 2.54 μm [.000100] MIN COPPER.
- ⑦ 0.76 MICROMETERS [.000030] MIN GOLD IN MATING AREA. 2.54 MICROMETERS [.000100] MIN TIN OR TIN-LEAD ON COMPLIANT PIN. ALL OVER 1.27 MICROMETERS [.000050] MIN NICKEL. OR GOLD FLASH OVER PALLADIUM NICKEL. 0.76 MICROMETERS [.000030] MIN TOTAL IN MATING AREA. 2.54 MICROMETERS [.000100] MIN TIN OR TIN-LEAD ON COMPLIANT PIN. ALL OVER 1.27 MICROMETERS [.000050] MIN NICKEL.
- ⑧ DATUM AND BASIC DIMENSION ESTABLISHED BY CUSTOMER.

	⑦	747089-2
SUPERSEDED BY 747089-2	⑤	747089-1
	CONTACT FINISH	PART NO

THIS DRAWING IS A CONTROLLED DOCUMENT.

DIMENSIONS: mm [INCHES]	TOLERANCES UNLESS OTHERWISE SPECIFIED:	DIN C. OBERMAN 05/15/92	APVD R. STONE 06/17/92	NAME PERCHERKE/PARKER
0 PLC ± -	1 PLC ± -	2 PLC ± 0.13 [.005]	3 PLC ± -	4 PLC ± -
MATERIAL		FINISH	WEIGHT	SIZE
②③④		⑥	—	A1
CUSTOMER DRAWING		SCALE 4:1	SHEET 1 OF 1	REV M

STE TE Connectivity
 RECEPTACLE ASSEMBLY, SIZE 1, 9 POSITION, ACTION PIN, VERTICAL, FRONT METAL SHELL
 APPLICATION SPEC 108-40014
 DRAWING NO 00779
 PART NO 747089

单击下面可查看定价，库存，交付和生命周期等信息

[>>TE Connectivity\(泰科\)](#)