

4

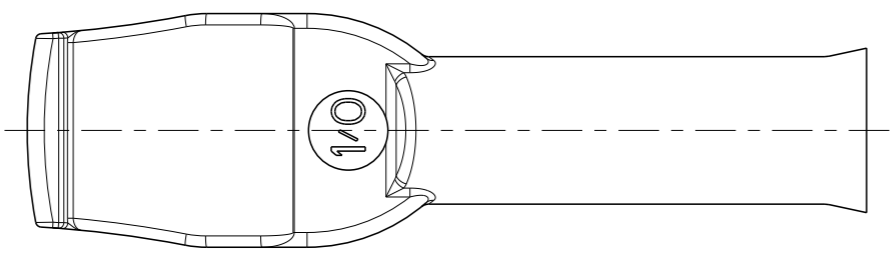
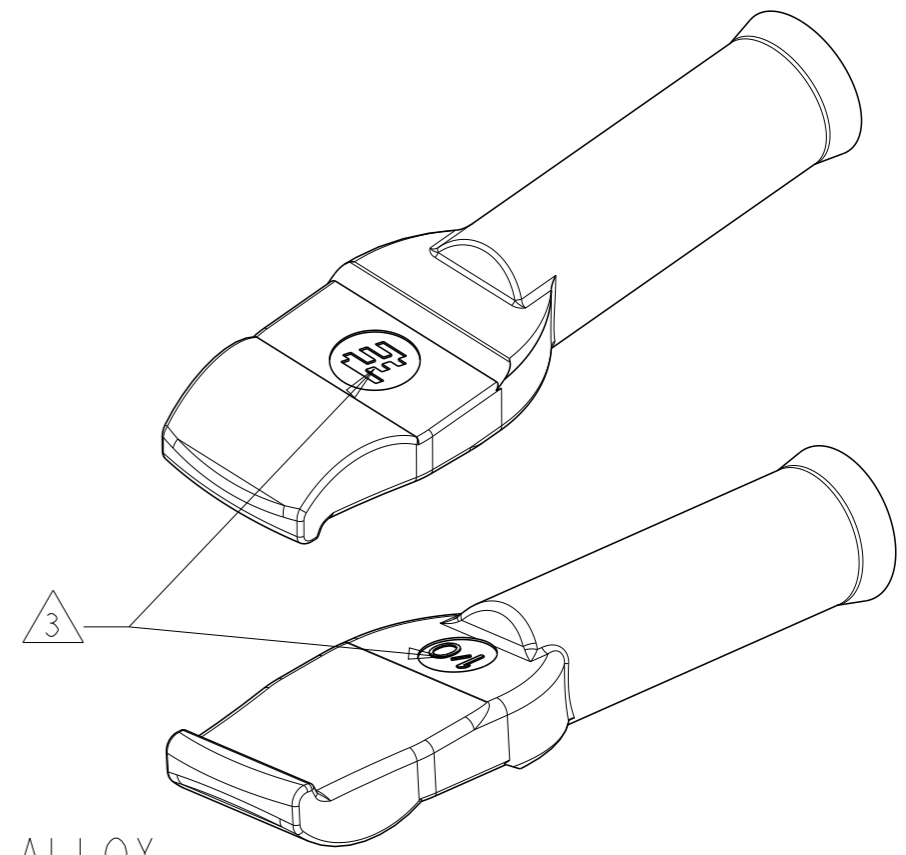
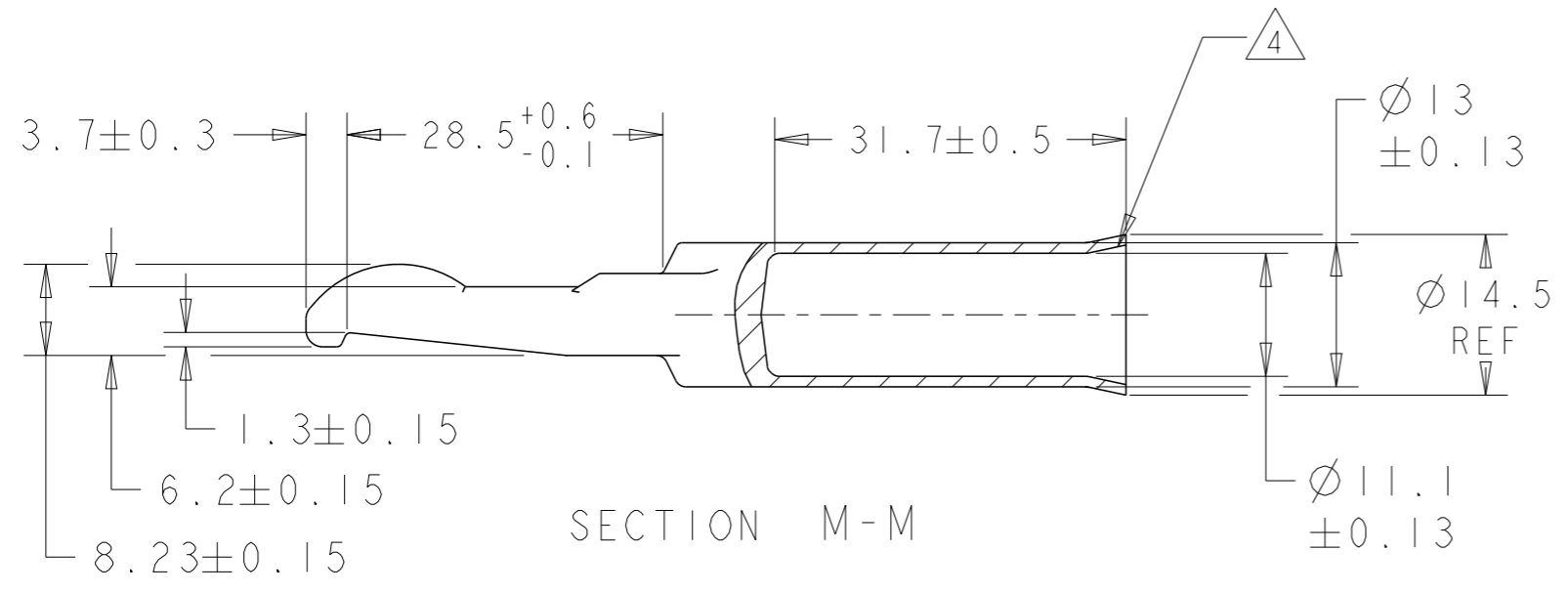
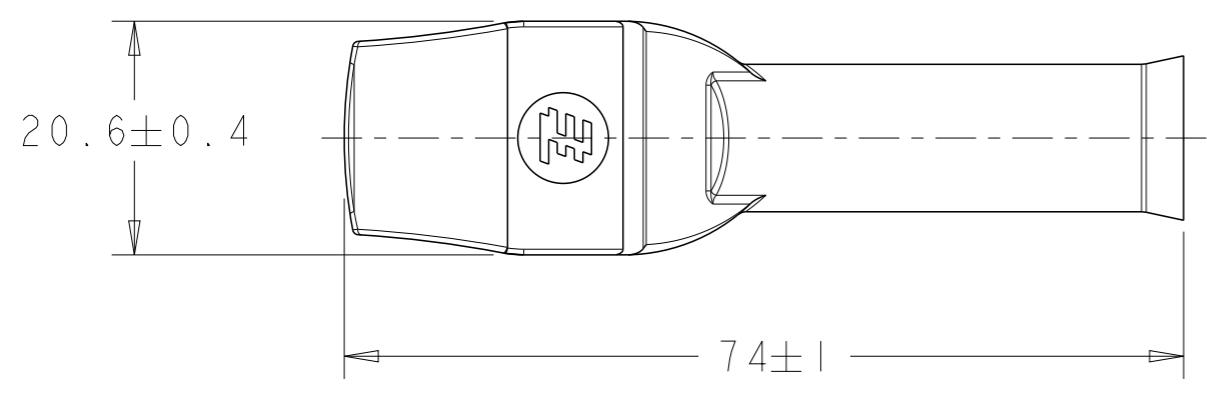
3

2

1

THIS DRAWING IS UNPUBLISHED. RELEASED FOR PUBLICATION 20
 © COPYRIGHT 20 BY TYCO ELECTRONICS CORPORATION. ALL RIGHTS RESERVED.

LOC	DIST	REVISIONS					
CM	0	P	LTR	DESCRIPTION	DATE	DWN	APVD
			B	REV PER ECR 10-006756	01APR10	JR	SM
			C	REV PER ECR-18-000415	17JAN2018	RS	SZ
			CI	REV PER ECR-18-010169	04JUL2018	RS	SZ



- 1. MATERIAL: COPPER ALLOY
- 2. FINISH: PLATED SILVER
- 3. STAMP MARK MAY BE ROTATED
- 4. DEFORMATION OF THE FLARE IS PERMISSIBLE PROVIDED IT DOES NOT REDUCE THE WIRE BARREL ID.

METRIC

AS SHOWN	1604055-1
DESCRIPTION	PART NUMBER

THIS DRAWING IS A CONTROLLED DOCUMENT FOR TYCO ELECTRONICS CORPORATION. IT IS SUBJECT TO CHANGE AND THE CONTROLLING ENGINEERING ORGANIZATION SHOULD BE CONTACTED FOR THE LATEST REVISION.		DWN Brent D. Yohn 09APR2002	Tyco Electronics Harrisburg, PA 17105-3608		
DIMENSIONS: mm		CHK W.H. BERNHART 09APR2002			
TOLERANCES UNLESS OTHERWISE SPECIFIED:		APVD W.H. BERNHART 09APR2002	NAME CONTACT, AMP POWER SERIES 350, 1/0 AWG		
0 PLC ±- 1 PLC ±0.3 2 PLC ±0.13 3 PLC ±0.050 4 PLC ±- ANGLES ±1°		PRODUCT SPEC -	RESTRICTED TO		
MATERIAL -		APPLICATION SPEC -	SIZE A3	CAGE CODE 00779	DRAWING NO G-1604055
FINISH -		WEIGHT -	SCALE 3:2 SHEET 1 OF 1 REV CI		
CUSTOMER DRAWING					

单击下面可查看定价，库存，交付和生命周期等信息

[>>TE Connectivity\(泰科\)](#)