

THIS DRAWING IS UNPUBLISHED.

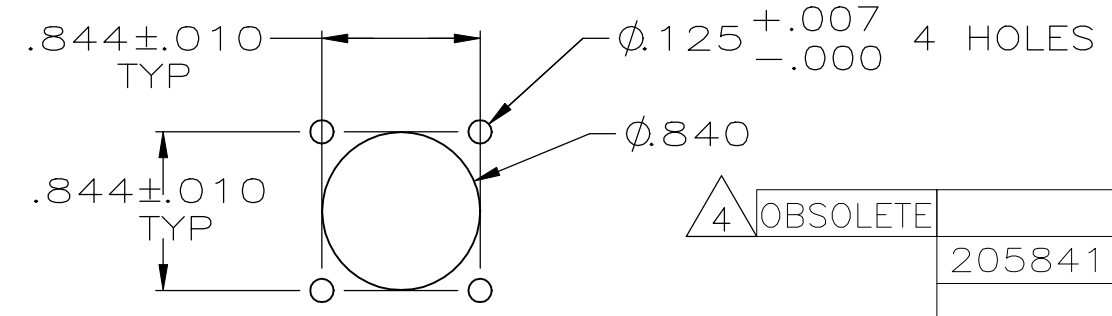
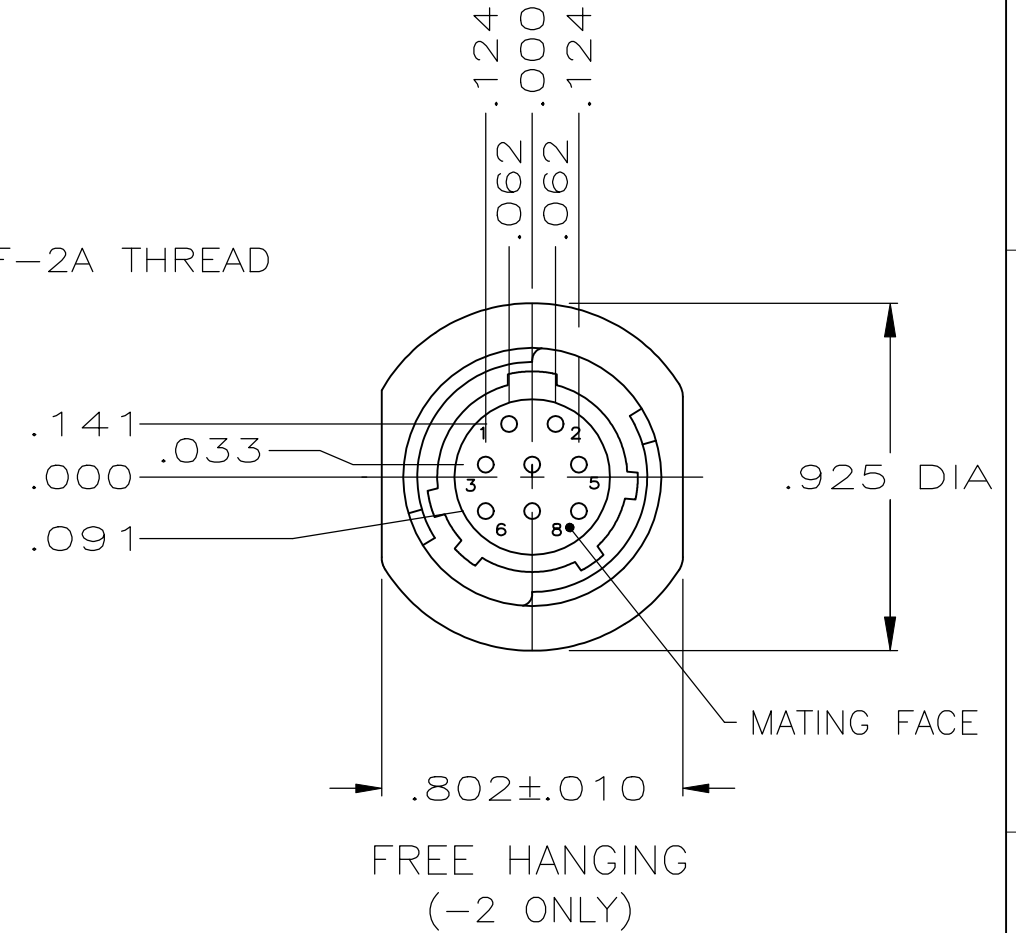
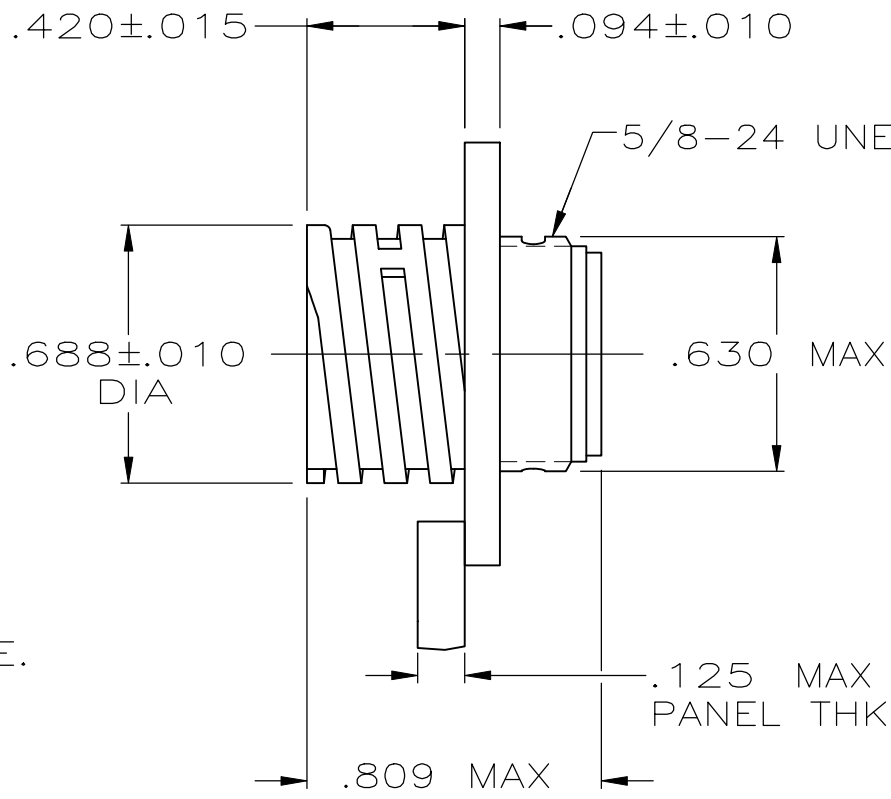
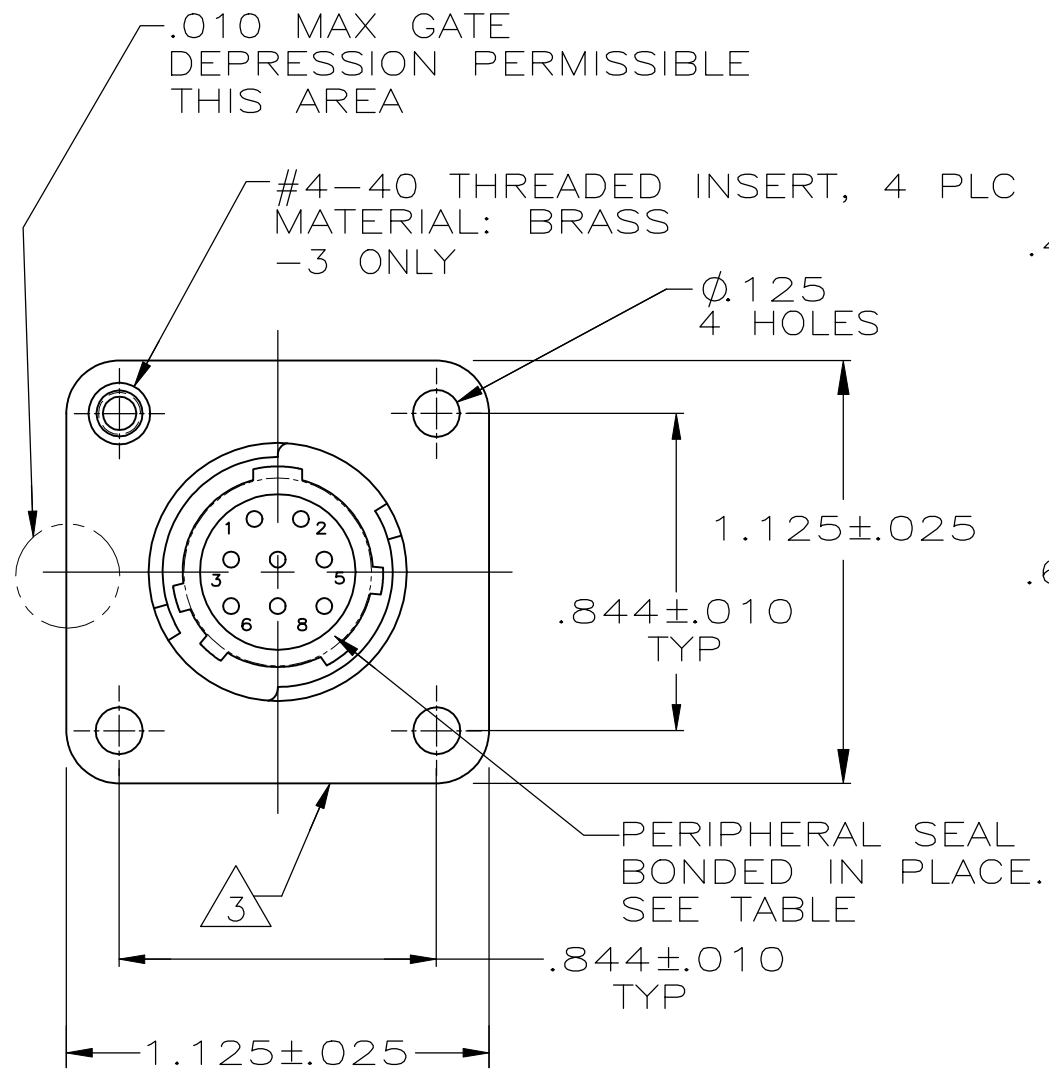
RELEASED FOR PUBLICATION

ALL RIGHTS RESERVED.

© COPYRIGHT - By -

REVISIONS

P	LTR	DESCRIPTION	DATE	DWN	APVD
	N4	REVISED PER ECO-13-019645	14DEC2013	KH	MZ
	P	REVISED PER ECO-18-000972	24JUL2018	RS	MZ



PANEL CUTOUT SCALE 1:1

4 OBSOLETE		YES	YES	205841-4
	205841-1 & 205841-3	YES	NO	205841-3
	205841-2	NO	NO	205841-2
	205841-1	NO	NO	205841-1
	PART NUMBER LOCATED ON FLANGE EDGE	THREADED INSERTS	PERIPHERAL SEAL	PART NUMBER

- 1 CONTACT CAVITIES IDENTIFIED BY CHARACTERS ON FRONT AND REAR FACES OF CONNECTOR.
- 2 WILL ACCEPT (8) SIZE 20 PIN CONTACTS.
- 3 AMP LOGO AND PART NUMBER LOCATED ON ANY FLANGE EDGE SEE CHART FOR PART NUMBER
- 4 OBSOLETE PARTS: OBSOLETE CIS STREAMLINING PER D.RENAUD/D.SINISI

THIS DRAWING IS A CONTROLLED DOCUMENT.

DIMENSIONS: INCHES	TOLERANCES UNLESS OTHERWISE SPECIFIED:	DWN A.STAUB BG 4/5/91	STE TE Connectivity Ltd.
	0 PLC ± - 1 PLC ± - 2 PLC ± - 3 PLC ± .005 4 PLC ± - ANGLES ± -	CHK W.G.LENKER 7-24-92	
MATERIAL THERMOPLASTIC, BLK	FINISH -	APVD -	NAME RECEPTACLE ASSEMBLY, STD SEX, SERIES 2, 11-8, CPC
		PRODUCT SPEC 108-10024	SIZE A3
		APPLICATION SPEC -	CAGE CODE 00779
		WEIGHT -	DRAWING NO C-205841
		CUSTOMER DRAWING	RESTRICTED TO -
			SCALE 2:1
			SHEET 1 of 1
			REV P

单击下面可查看定价，库存，交付和生命周期等信息

[>>TE Connectivity\(泰科\)](#)