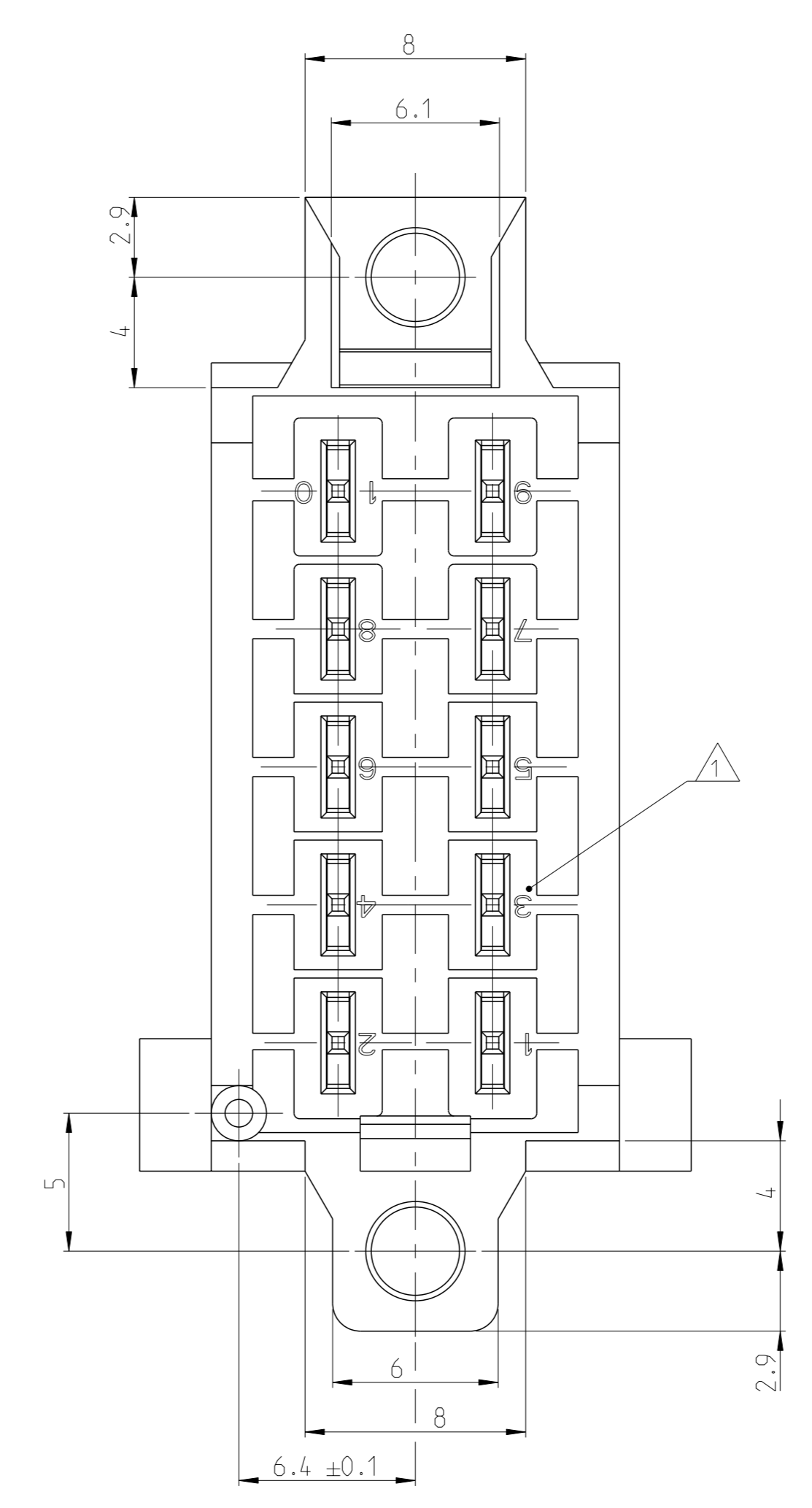
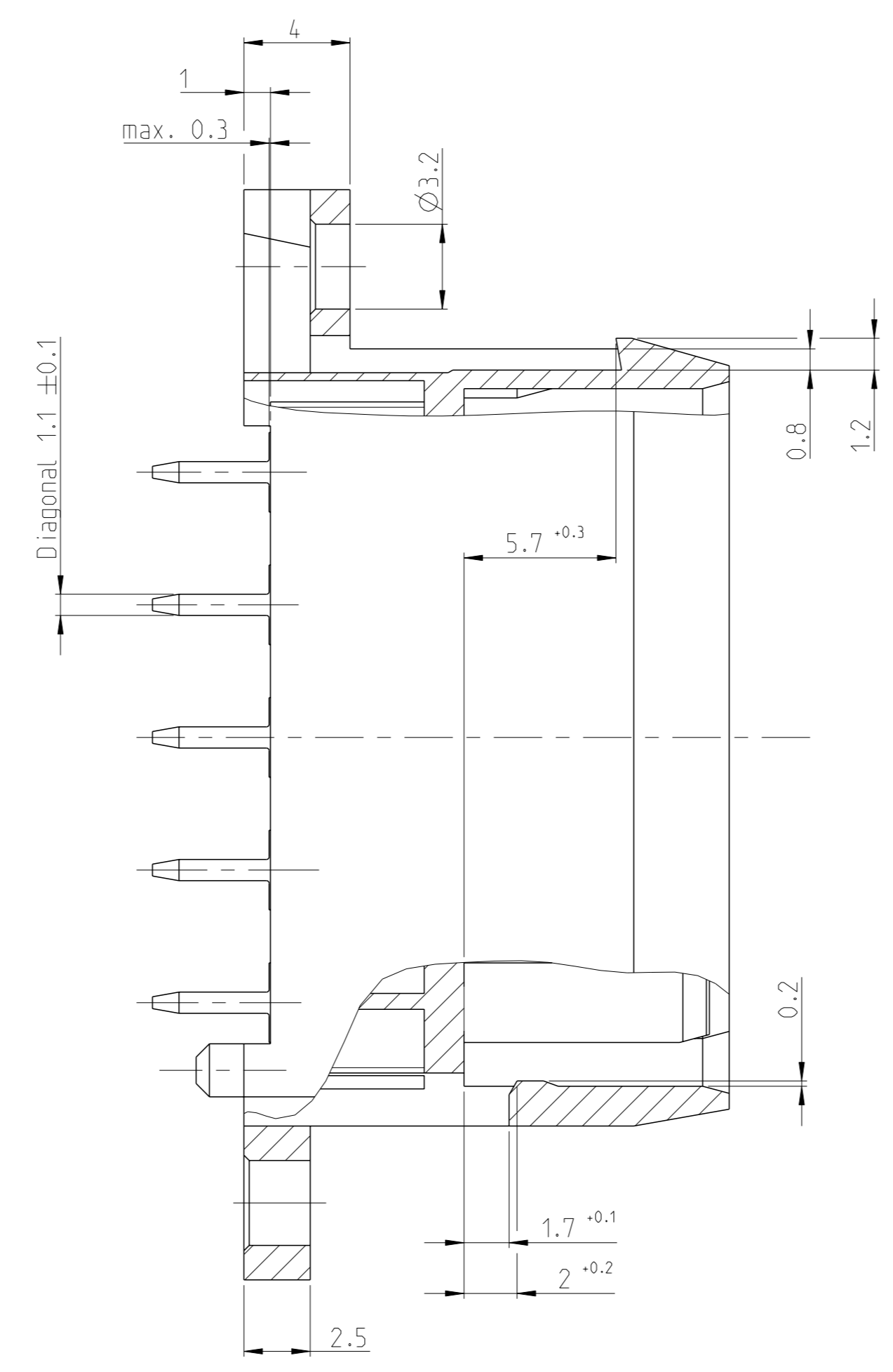
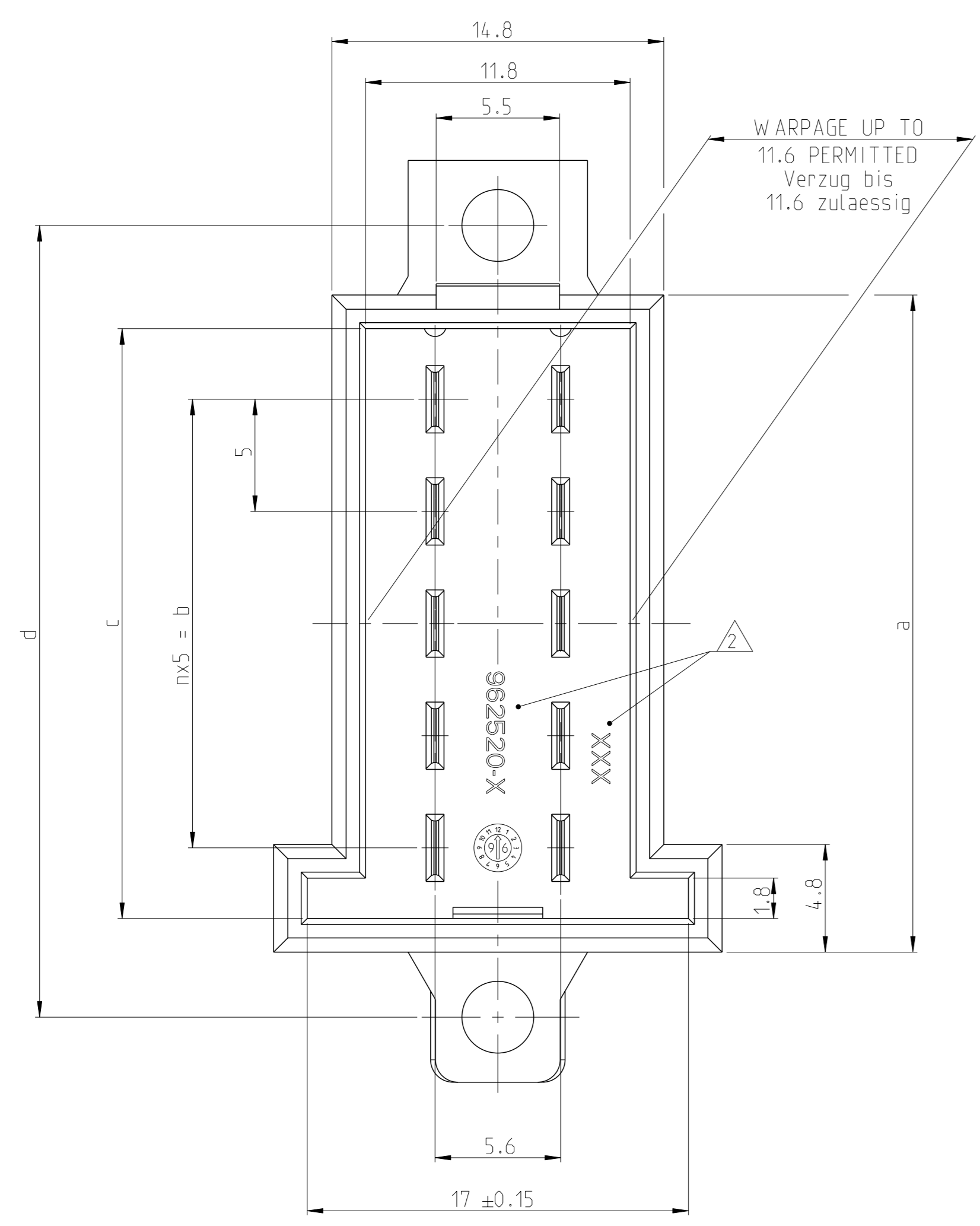
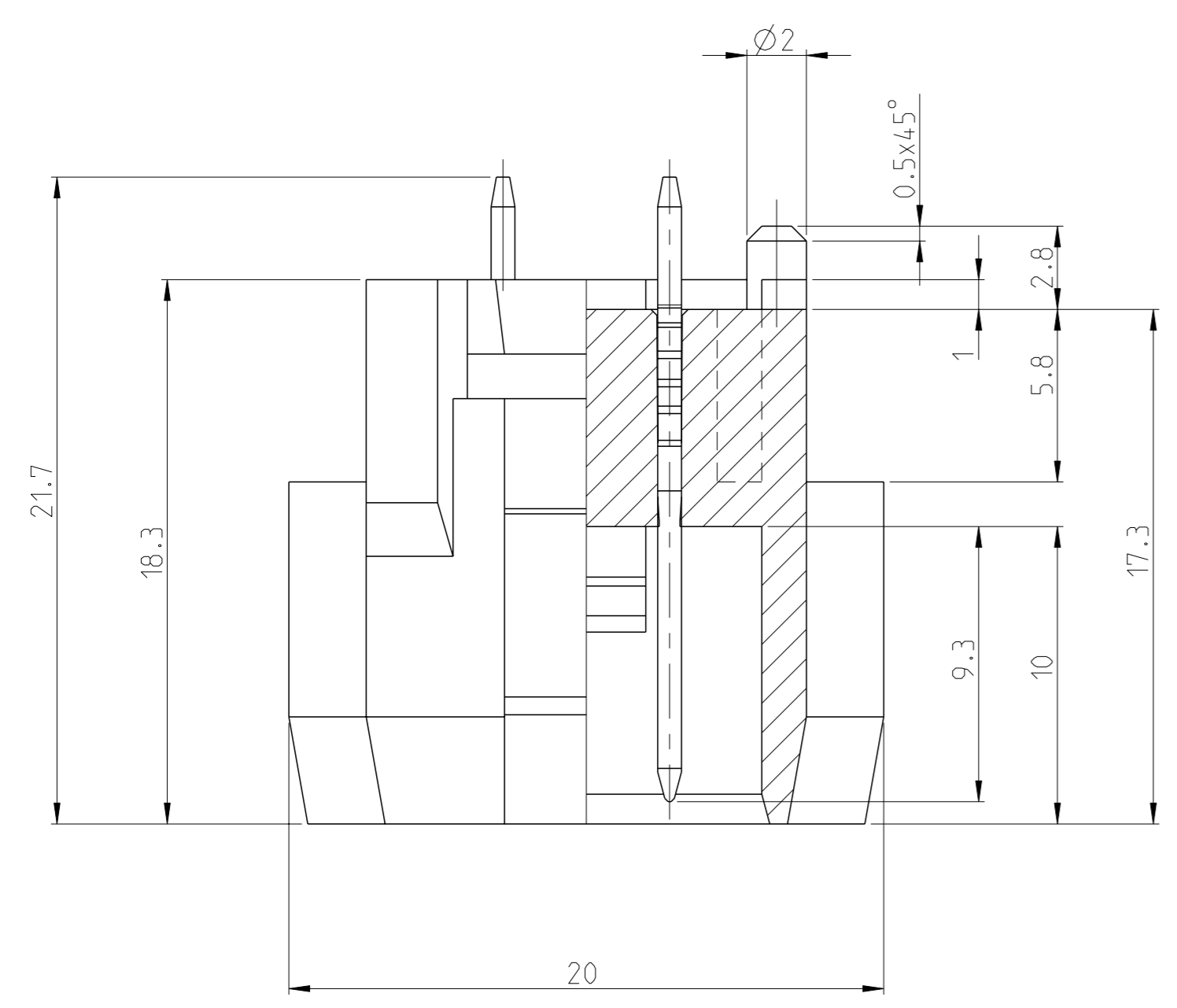
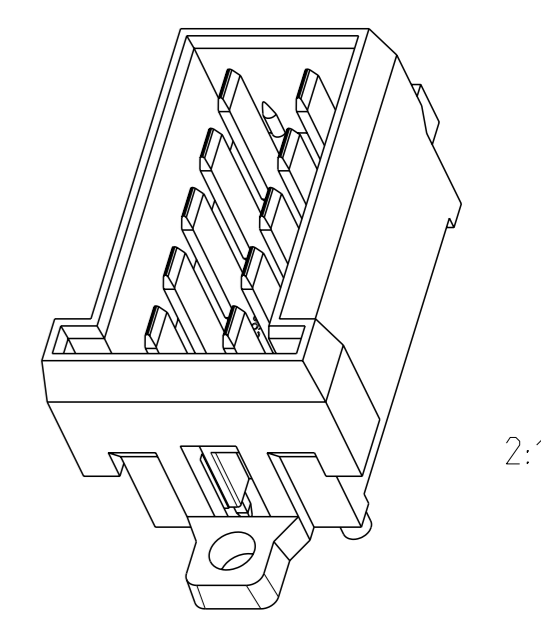


REVISIONS				
#	DATE	DESCRIPTION	DATE	OWN APVD
A4		DATE CLOCK ADDED	21MAR2011	Kirs Merz
A5		NEW CREO DRAWING ECR-16-008505	13JUN2016	Abr Merz



- NOTES  
Bemerkungen
- 1 CAVITY MARKING  
Kammernummerierung
  - 2 COMPANY LOGO AND PART-NO.  
Firmenlogo und Teile-Nr.
  - 3 MATERIAL OF TAB FOR PN's 963357-1 TO ...-6  
Material der Kontakte fuer PN's 963357-1 bis ...-6  
CuZn30 (SILVER PLATED/versilbert)
  - 4 MATERIAL OF TAB FOR PN 1-963357-1  
Material der Kontakte fuer PN 1-963357-1  
CuSn4 (TIN PLATED/verzinkt)



	59.3	50	56.3	65.3	10	22 POS. MALE CONN. 22 pol. Messerleiste	929504-7	1-963357-1	A
	14.3	5	11.3	20.3	1	4 POS. MALE CONN. 4 pol. Messerleiste	929504-1	963357-6	A
	19.3	10	16.3	25.3	2	6 POS. MALE CONN. 6 pol. Messerleiste	929504-2	963357-5	A
	29.3	20	26.3	35.3	4	10 POS. MALE CONN. 10 pol. Messerleiste	929504-4	963357-4	A
	39.3	30	36.3	45.3	6	14 POS. MALE CONN. 14 pol. Messerleiste	929504-5	963357-3	A
	49.3	40	46.3	55.3	8	18 POS. MALE CONN. 18 pol. Messerleiste	929504-6	963357-2	A
	59.3	50	56.3	65.3	10	22 POS. MALE CONN. 22 pol. Messerleiste	929504-7	963357-1	A
CAVITY SYMBOL Kammerbezeichnung	a	b ±0.15	c +0.2	d ±0.15	n	DESCRIPTION Benennung	MATING PLUG Gegenstecker	TE Order-No. Bestell-Nr.	REV

-4 AS SHOWN  
WIE GEZEICHNET

THIS DRAWING IS A CONTROLLED DOCUMENT. OWN: K. Benke, 12JUN1990. CHK: Steinbach, 12JUN1990.

DIMENSIONS: mm. TOLERANCES UNLESS OTHERWISE SPECIFIED: ±0.2.

MATERIAL: PBT/PC-GF20, BLACK / schwarz.

STE TE Connectivity

NAME: 4-22 POS:MALE CONNECTOR, 4-22 pol. Messerleiste.

SIZE: A1. SCALE: 5:1. SHEET: 1 OF 1. REV: A5.

单击下面可查看定价，库存，交付和生命周期等信息

[>>TE Connectivity\(泰科\)](#)