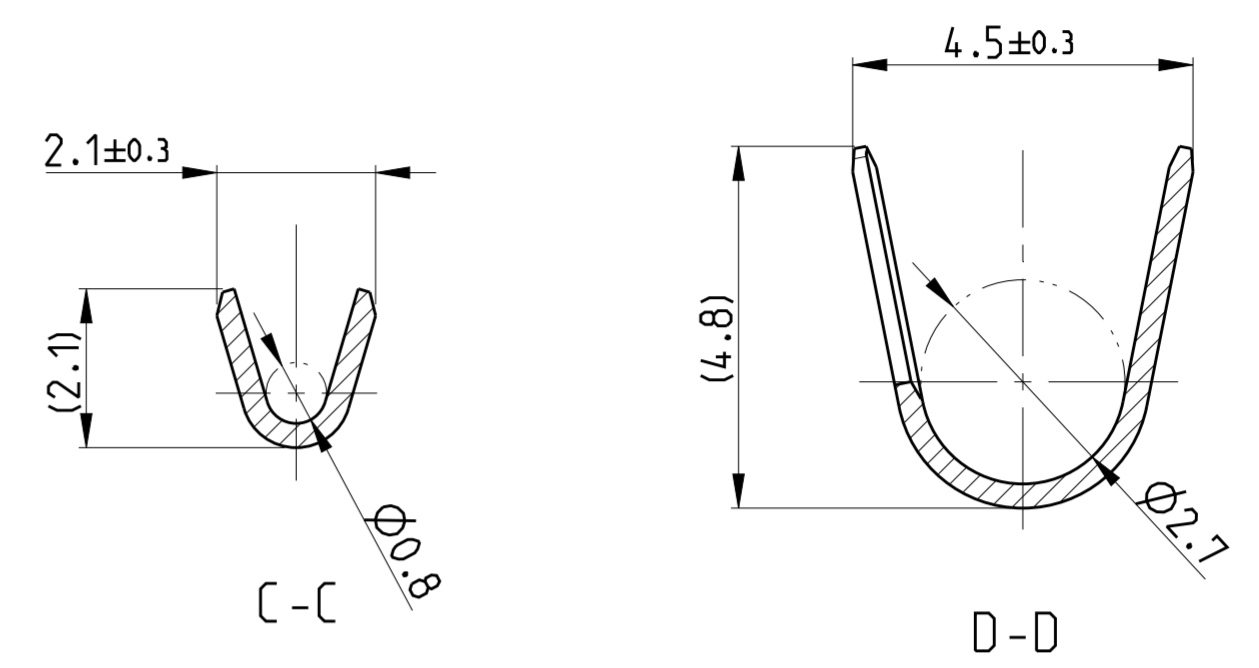
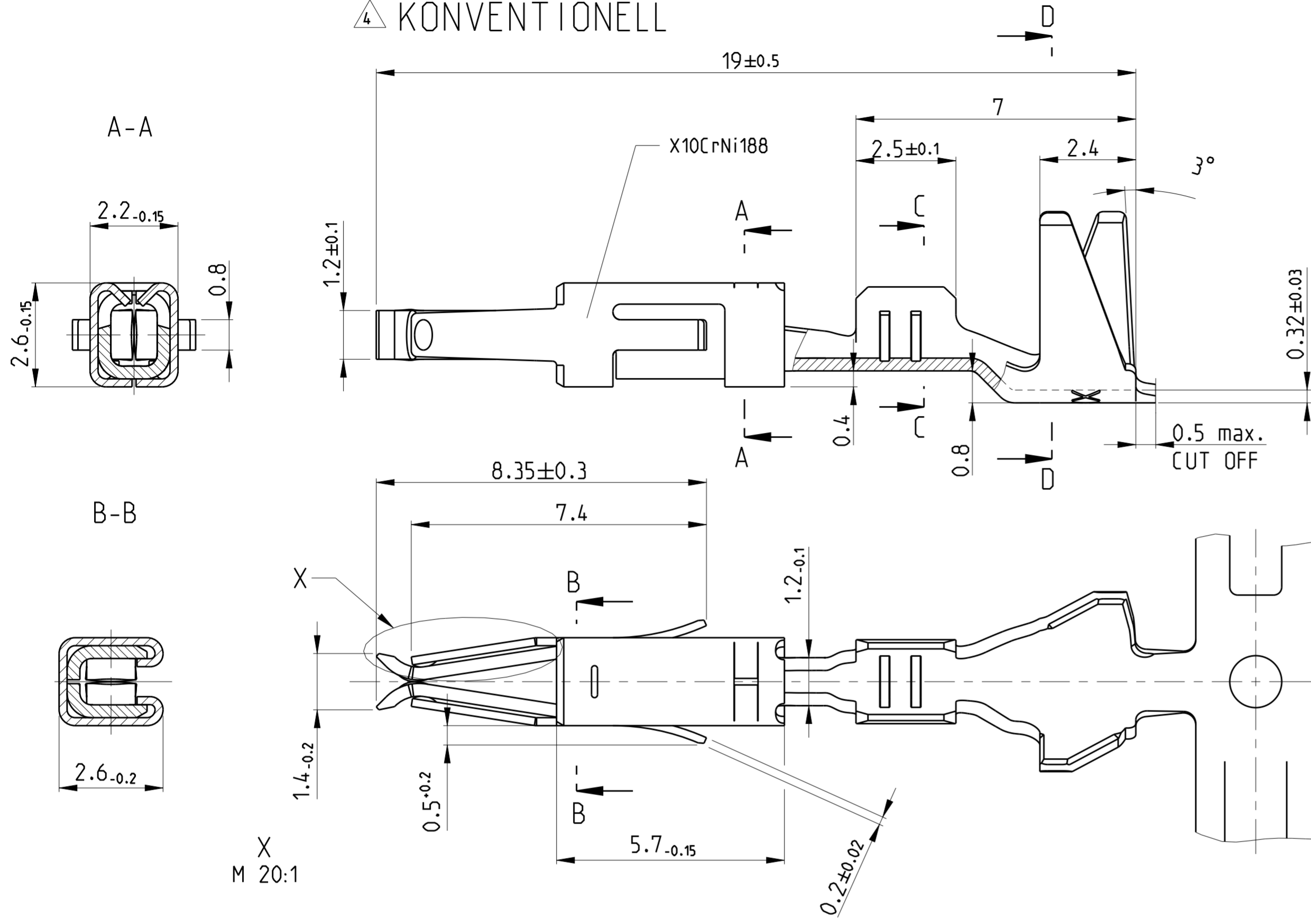


THIS DRAWING IS UNPUBLISHED. RELEASED FOR PUBLICATION
 © COPYRIGHT. ALL RIGHTS RESERVED.

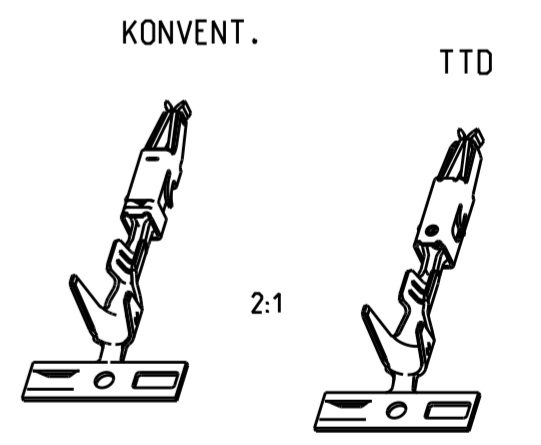
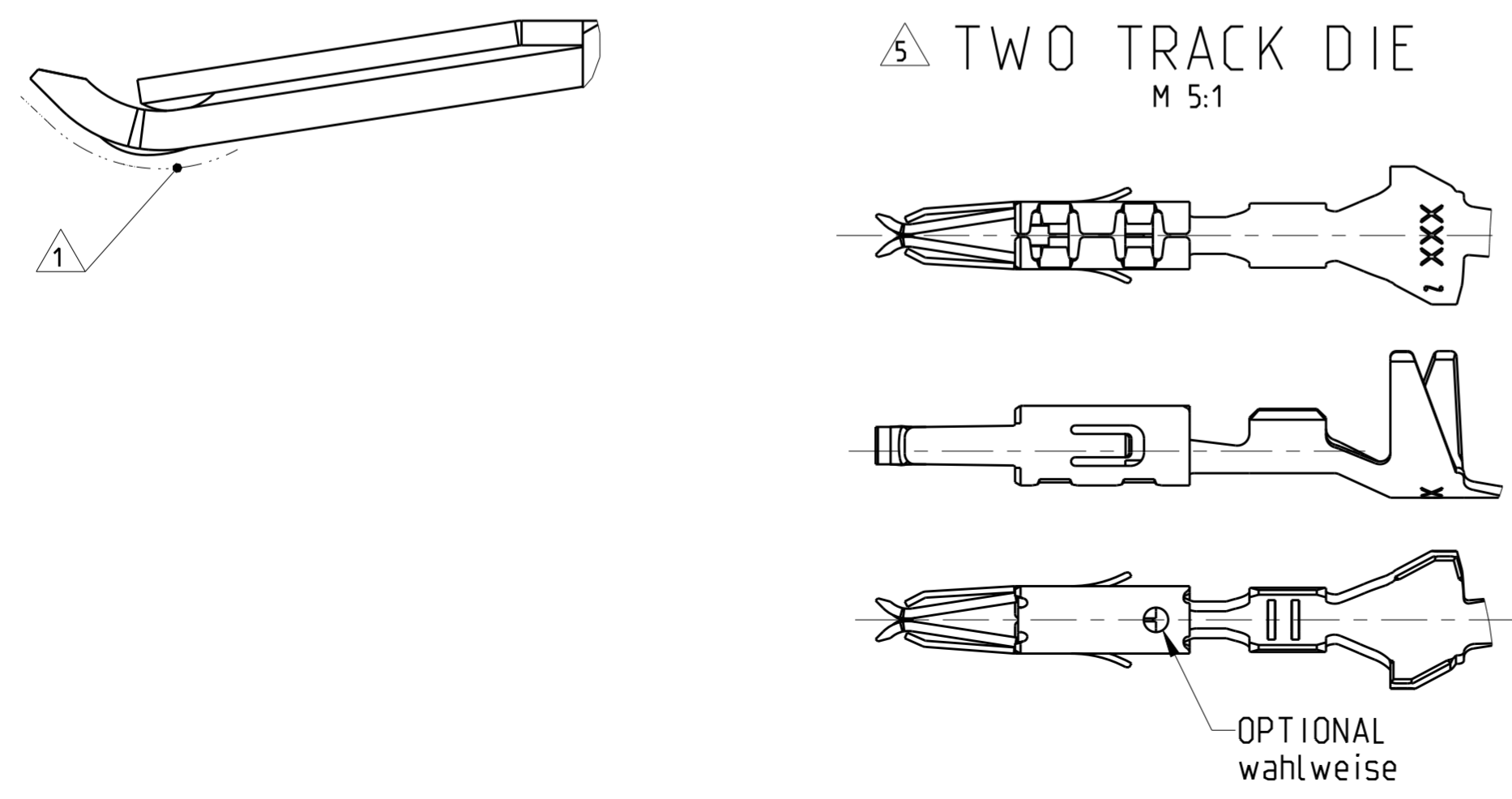
| LOC | | DIST | | REVISIONS | | | | |
|-----|-----|-------------|------------------------------------------|-----------|-------|------|--|--|
| P | LTR | DESCRIPTION | DATE | DWN | APVD | | | |
| A1 | - | N3 | NEW VERISON OF GOLD CONTACTS PRERMITTED. | 18MAY2011 | Kirs | Mair | | |
| | | N4 | OPTIONAL to note 5 TTD added. (area A3) | 29JUN2011 | Kirs | Mair | | |
| | | N5 | PRODUCT SPEC CORRECTED | 23JUN2014 | Ho. | Eder | | |
| | | N6 | ECR-15-012070 | 13AUG2015 | JB.JH | BK | | |

4 KONVENTIONELL



- 1 SELECTIVE GOLD PLATED MIN. 0.8 µm OVER NI
selektiv vergoldet 0.8 µm ueber Ni
- 2 TIN PLATED MIN. 0.2 µm OVER NI
verzinkt 0.2 µm ueber Ni
- 3 WIRE RANGE : 0.2 - 0.5 mm²
INSULATION-Ø: 2.8 mm (SINGLE WIRE SEAL)
Drahtgrossenbereich: 0.2 - 0.5 mm²
Isolations-Ø: 2.8 mm (Einzeldichtung)

5 TWO TRACK DIE
M 5:1



| VERSION | SURFACE / Oberflaeche | MATERIAL | PART NO | REV |
|---------|-----------------------|----------|----------|-----|
| 5 4 | 1 2 | CuFe2 | 962875-5 | N |
| 5 4 | 1 2 | CuSn4 | 962875-3 | N |
| 5 | PRETIN / vorverzinkt | CuFe2 | 962875-2 | N |
| 5 | PRETIN / vorverzinkt | CuSn4 | 962875-1 | N |

THIS DRAWING IS A CONTROLLED DOCUMENT.

| | | | |
|----------------|----------------------------------------|----------------------------|-------------------------------------------------------------------------------------------------------|
| DIMENSIONS: mm | TOLERANCES UNLESS OTHERWISE SPECIFIED: | DWN R.Hofer 05-JAN-89 | TE Connectivity MICRO TIMER 2 CONTACT WITH DOUBLE LOCKING LANCE mit doppelter Rastfeder |
| | | CHK L. Nix 05-APR-89 | |
| | | APVD M. Bleicher 25-JUN-08 | |
| | | PRODUCT SPEC 108-18055 | |
| MATERIAL | | APPLICATION SPEC 114-18081 | SIZE CAGE CODE DRAWING NO RESTRICTED TO |
| | | WEIGHT 0.3 g | A2 00779 C-962875 - |
| | | Customer Drawing | SCALE 10:1 SHEET 1 OF 1 REV N6 |

单击下面可查看定价，库存，交付和生命周期等信息

[>>TE Connectivity\(泰科\)](#)