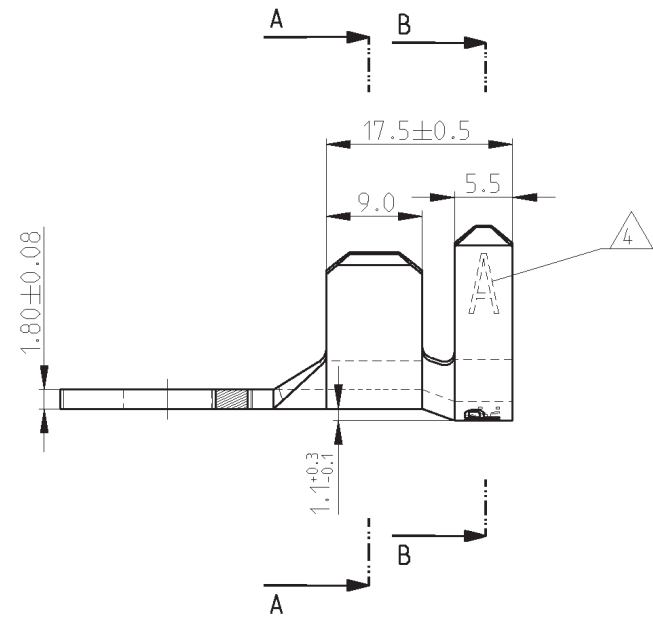
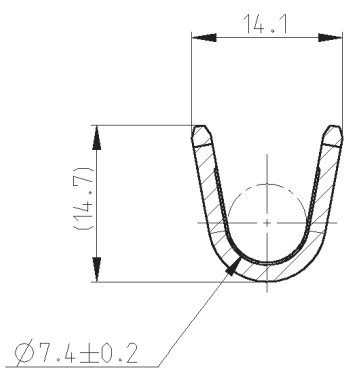


THIS DRAWING IS UNPUBLISHED. RELEASED FOR PUBLICATION 2000
 © COPYRIGHT 2000 BY TYCO ELECTRONICS CORPORATION. ALL RIGHTS RESERVED.

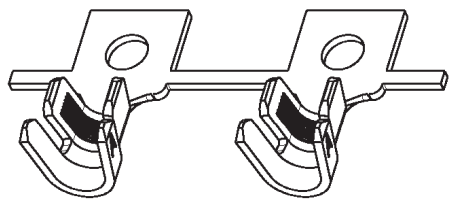
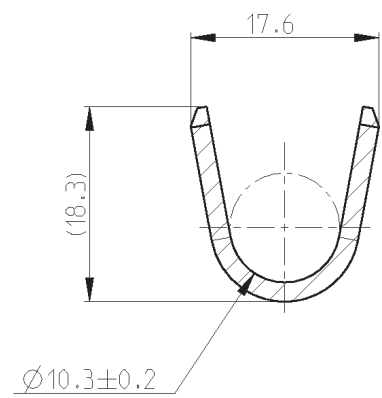
LOC	DIST	REVISIONS			
P	LTR	DESCRIPTION	DATE	DWN	APVD
A1	01	A4	REVISED PER ECR-19-017995	09DEC2019	PC MK



SCHNITT A-A

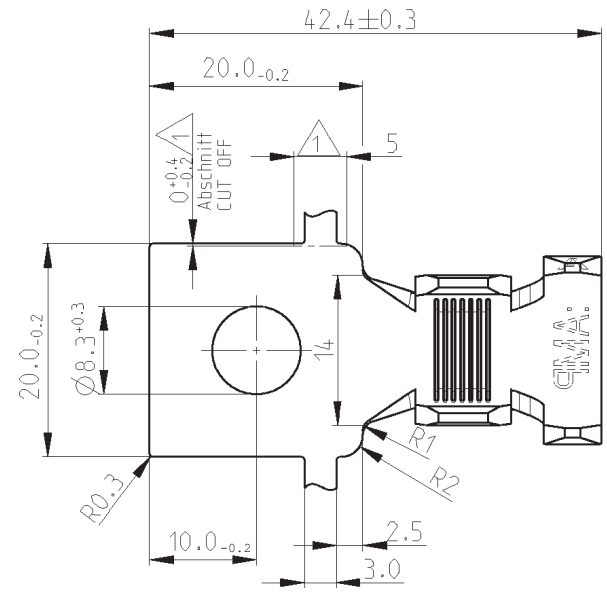


SCHNITT B-B



MASSTAB 1:1

- 1 Massangabe fuer Anschlagwerkzeug
DIMENSION FOR APPLICATOR
- 2 Drahtgrossenbereich/WIRE RANGE: 25 - 35mm²
Isolationsdurchmesser/INSUL. RANGE: 8.5 - 11.5mm²
- 3 Teile auf Kunststoffspule aufgewickelt (nicht unterbrechungsfrei)
Menge/Spule: 450
PARTS REELED ON PLASTIC-REEL (NOT SPLICE FREE)
QUANTITY/REEL: 450
- 4 Aenderungsstand des Produktes
REVISIONSTATUS OF PRODUCT



OBSOLETE			929928-2-
PLAIN / Blank	CuSn 4	DIN EN 1652	auf Anfrage
PLAIN / Blank	CuZn30	DIN EN 1652	929 928-1
FINISH/Oberflaeche	MATERIAL		PART NO/Bestell-Nr.

THIS DRAWING IS A CONTROLLED DOCUMENT FOR TYCO ELECTRONICS CORPORATION. IT IS SUBJECT TO CHANGE AND THE CONTROLLING ENGINEERING ORGANIZATION SHOULD BE CONTACTED FOR THE LATEST REVISION.		DWN R.Liebing	03SEP2002	TE Connectivity	
DIMENSIONS: mm	TOLERANCES UNLESS OTHERWISE SPECIFIED: PLC ± 0.4 1 PLC ± 0.1 2 PLC ± 0.01 3 PLC ± 0.005 4 PLC ± 0.3 ANGLES ± 0.5	CHK -	APVD -	NAME RING TONGUE Kabelschuh 8-35	
MATERIAL -	FINISH -	PRODUCT SPEC -	APPLICATION SPEC -	SIZE A3	RESTRICTED TO -
CUSTOMER DRAWING		WEIGHT -	SCALE 2:1	CAGE CODE 00779	DRAWING NO 929928
		SHEET 1 OF 1		REV A4	

单击下面可查看定价，库存，交付和生命周期等信息

[>>TE Connectivity\(泰科\)](#)