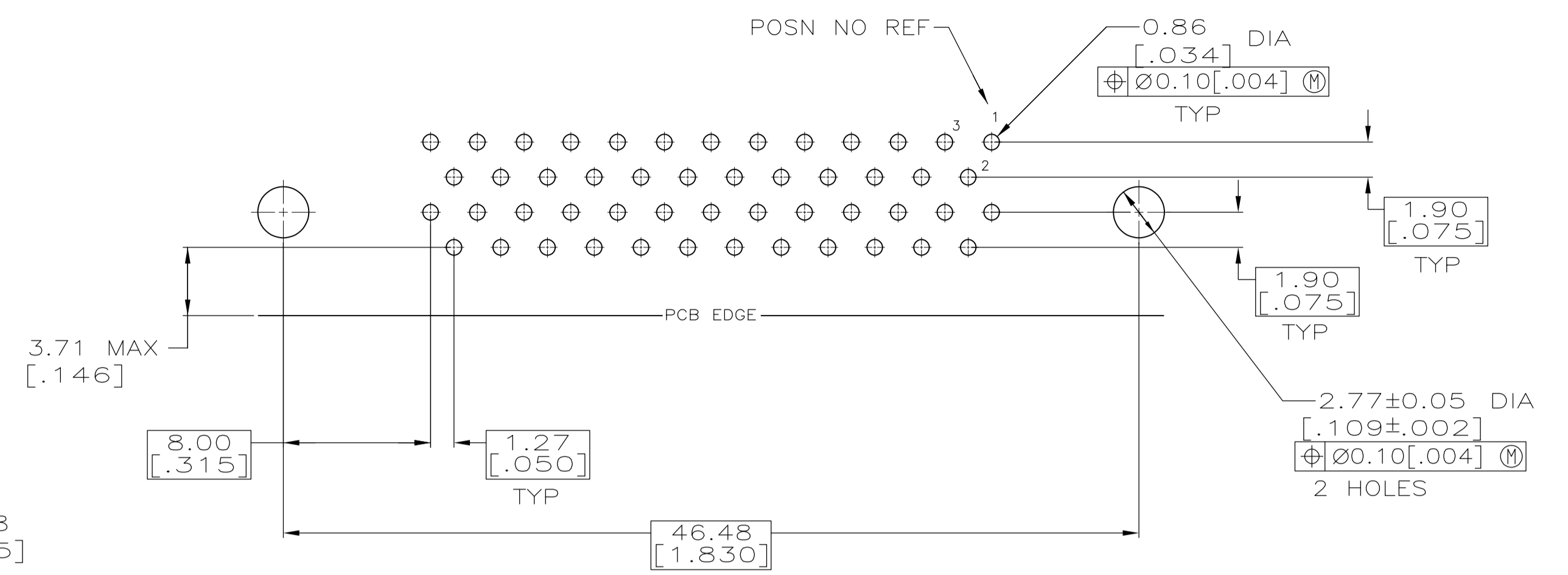
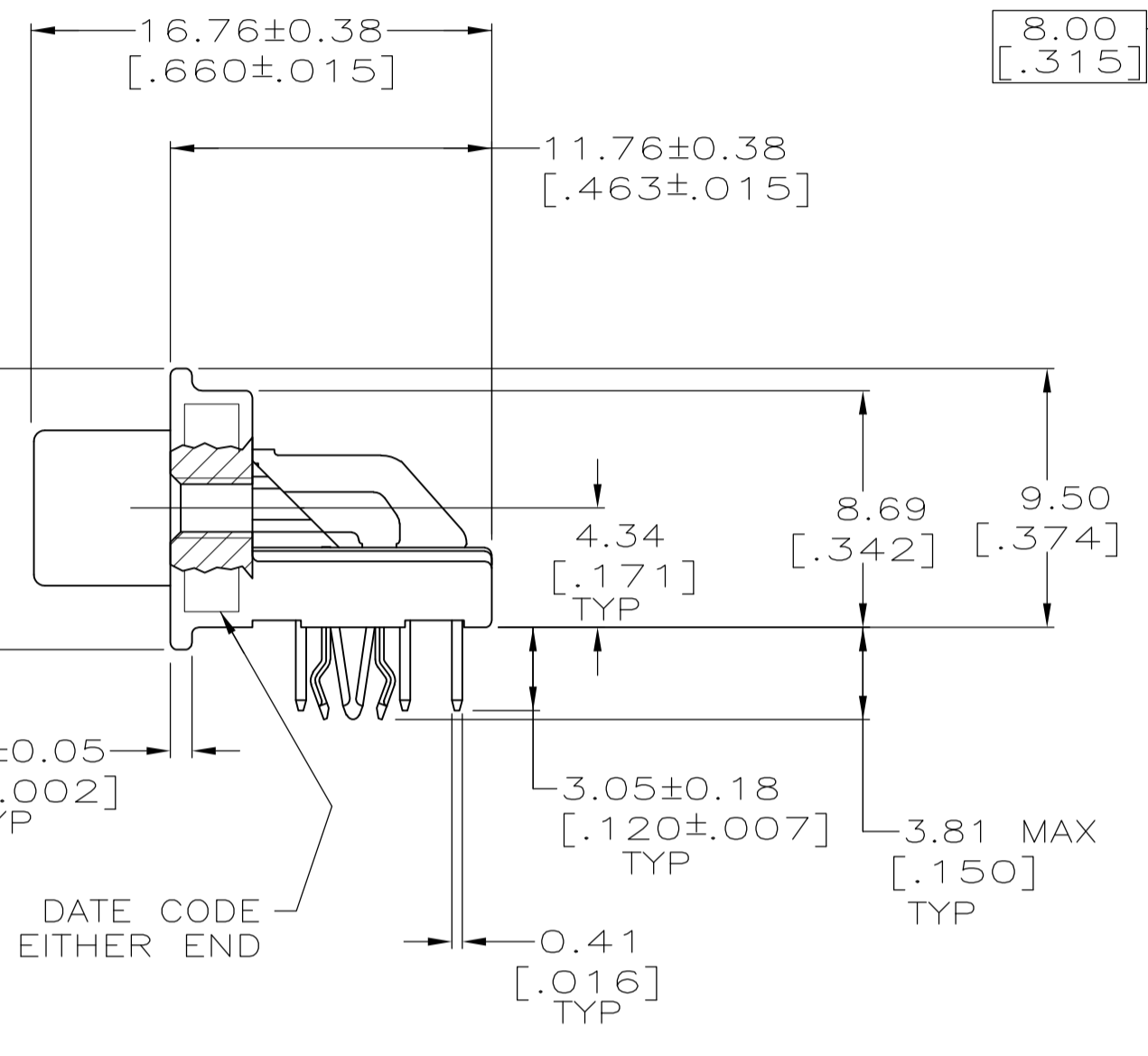
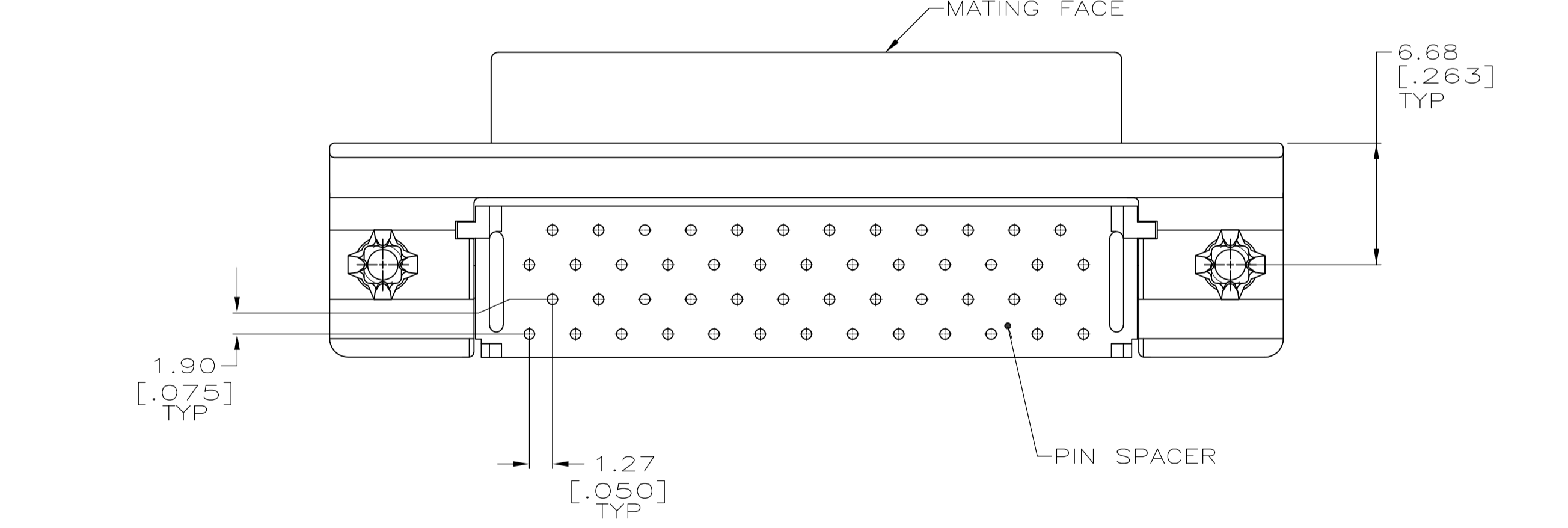
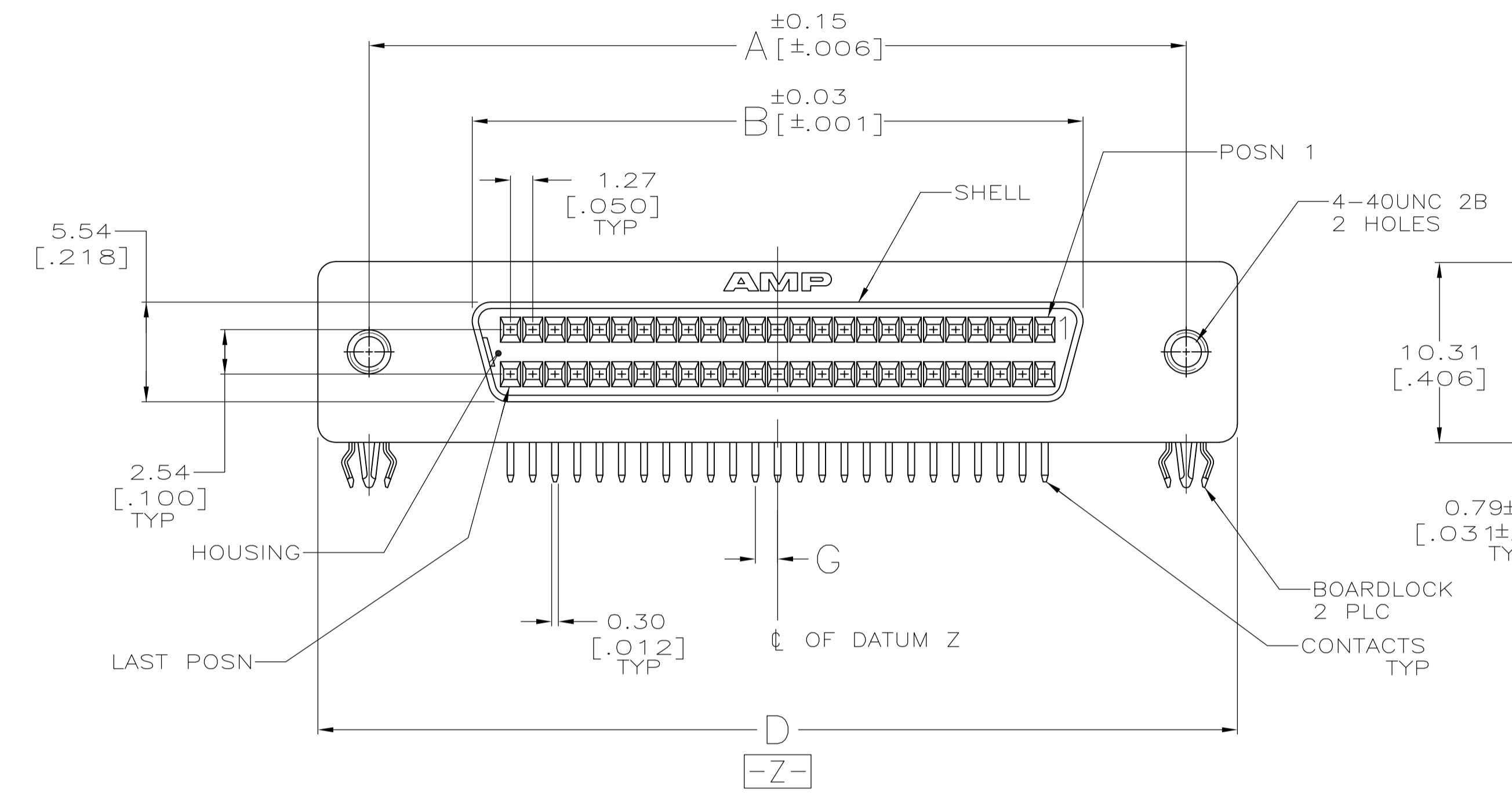
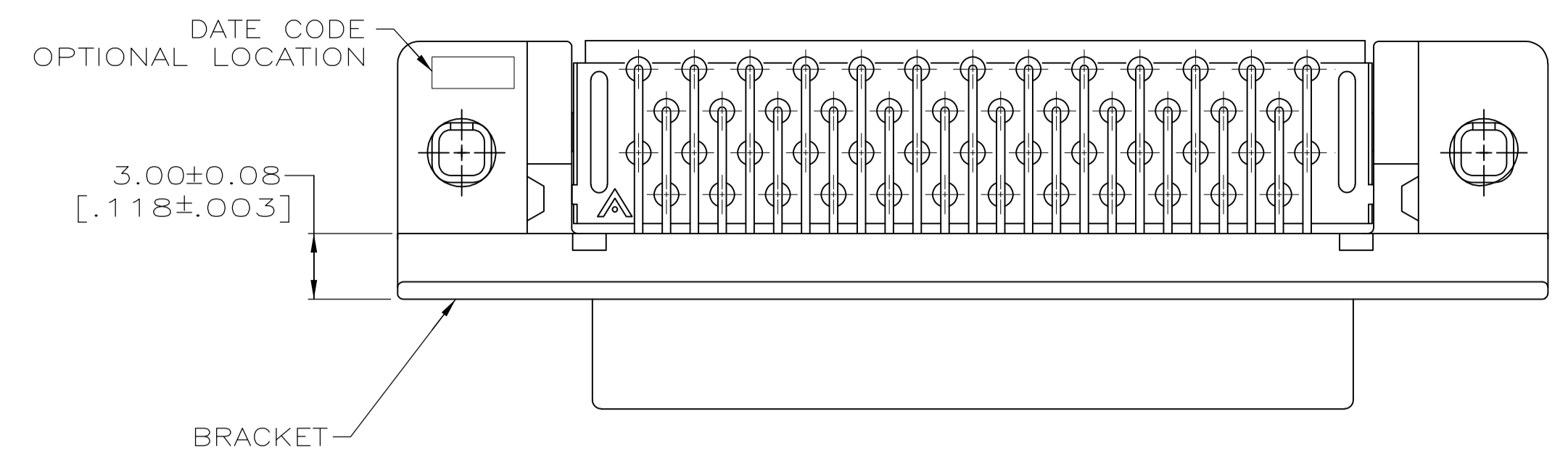
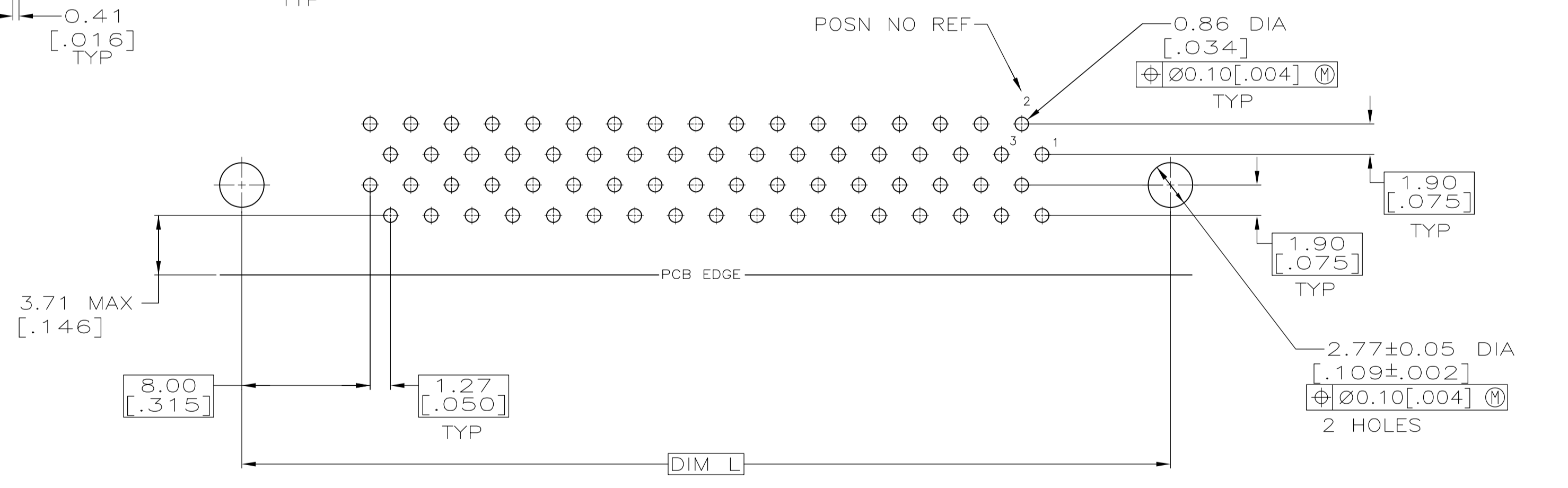


LOC	DIST	REVISIONS			
GP	00	REV	DESCRIPTION	DATE	BY
T		REVISED PER ECO-09-013072		3JUN2009	ZMR/SLB
T1		REVISED PER ECO-10-000443		18JAN2010	KK/HMR

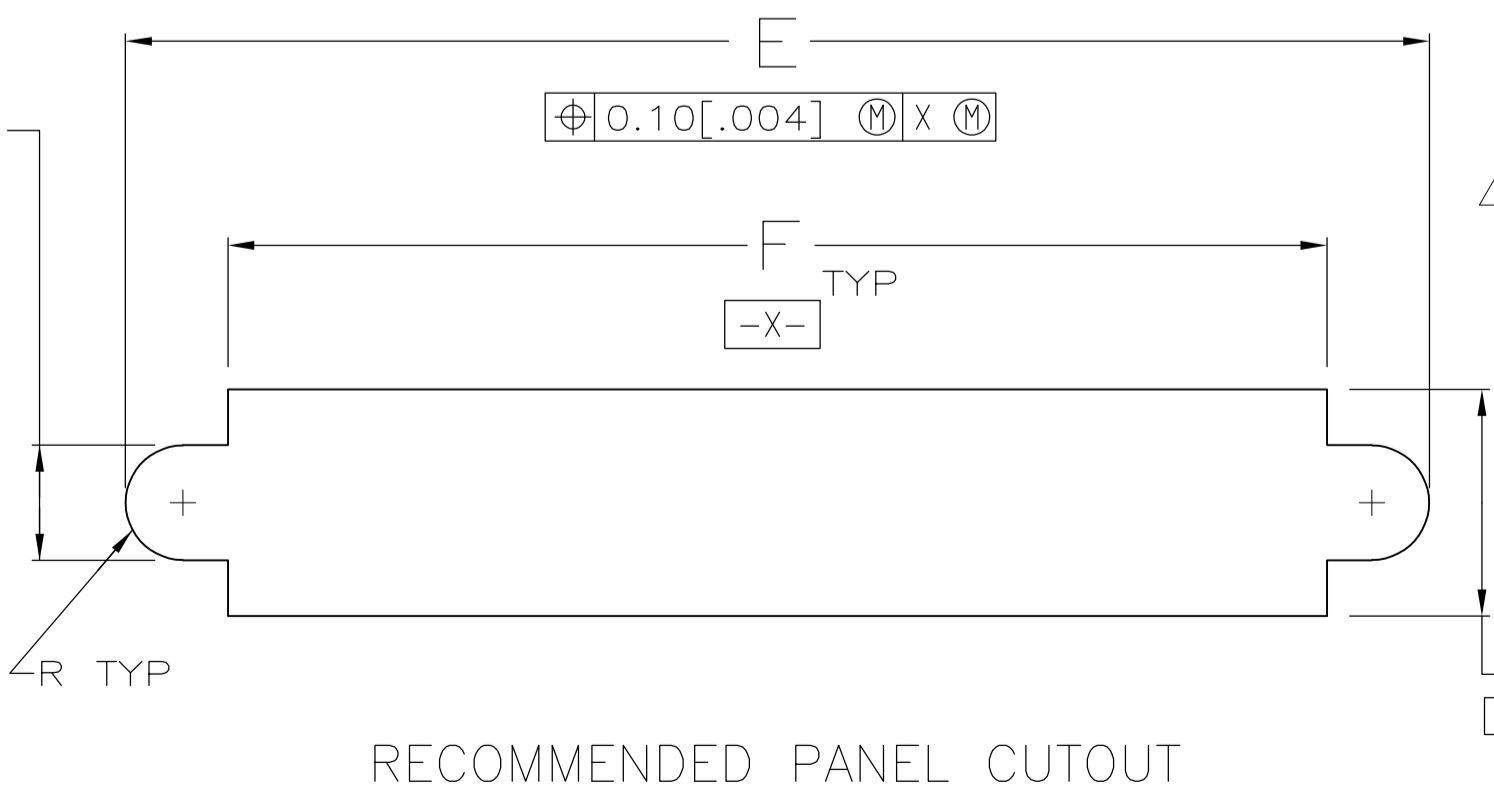
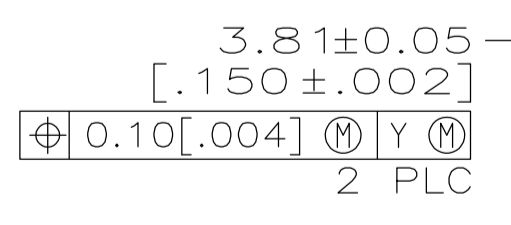


P.C. BOARD MOUNTING DIMENSIONS
CONNCTOR SIDE
P.C. BOARD THICKNESS 2.36±0.20 [.093±.008]
PC BOARD PATTERN S



P.C. BOARD MOUNTING DIMENSIONS
CONNCTOR SIDE
P.C. BOARD THICKNESS 2.36±0.20 [.093±.008]
PC BOARD PATTERN T

- ⚠ MATERIAL
CONTACTS: PHOSPHOR BRONZE
HOUSING & PIN SPACER: UL 94V-0 RATED, THERMOPLASTIC, BLACK
BRACKET: ZINC
SHELL: CARBON STEEL
BOARDLOCKS: COPPER ALLOY.
- ⚠ FINISH
CONTACTS: EITHER 0.76µm [.000030] MIN GOLD PLATE FOR A LENGTH OF 0.64 [.025] MAX, 0.13 [.005] MIN FROM MATING END OR GOLD FLASH OVER PALLADIUM NICKEL PLATE, 0.76µm [.000030] MIN TOTAL FOR A LENGTH OF 0.64 [.025] MAX, 0.13 [.005] MIN FROM MATING END. 3.81µm [.000150] MIN TIN-LEAD ON OPPOSITE END FOR A LENGTH OF 3.23 [.127] MIN, BOTH OVER 1.27µm [.000050] MIN NICKEL.
SHELL: 5.08µm [.000200] MIN NICKEL OVER 1.27µm [.000050] MIN COPPER.
BRACKET: 2.54µm [.000100] MIN NICKEL OVER 5.08µm [.000200] COPPER.
- ⚠ 5.08µm [.000200] MIN TIN-LEAD OVER 1.27µm [.000050] MIN NICKEL.
- ⚠ 3.00µm [.000118] MIN TIN OVER 1.27µm [.000050] MIN NICKEL.
- ⚠ OBSOLETE PARTS: OBSOLETE CIS STREAMLINING PER D.RENAUD/D.SINISI



RECOMMENDED PANEL CUTOUT

SUP BY	REV	FIN	L	G	F	E	D	B	A	NO OF POSN	PART NUMBER
5787362-9	T	⚠4	78.23 [3.080]	0.64 [.025]	69.44 [2.734]	82.04 [3.230]	84.20 [3.315]	66.45 [2.616]	78.23 [3.080]	100	1-787362-0
	T	⚠3	78.23 [3.080]	0.64 [.025]	69.44 [2.734]	82.04 [3.230]	84.20 [3.315]	66.45 [2.616]	78.23 [3.080]	100	787362-9
	T	⚠3	57.91 [2.280]	0.64 [.025]	49.12 [1.934]	61.72 [2.430]	63.88 [2.515]	46.13 [1.816]	57.91 [2.280]	68	787362-7
	S	⚠3	-	1.27 [.050]	37.69 [1.484]	50.29 [1.980]	52.45 [2.065]	34.70 [1.366]	46.48 [1.830]	50	787362-5
OBSOLETE	T	⚠3	40.13 [1.580]	0.64 [.025]	36.78 [1.448]	43.56 [1.715]	46.10 [1.815]	28.35 [1.116]	40.13 [1.580]	40	787362-4

THIS DRAWING IS A CONTROLLED DOCUMENT.

DIMENSIONS: mm [INCHES]

TOLERANCES UNLESS OTHERWISE SPECIFIED:

0 PLC	±	-
1 PLC	±	-
2 PLC	±	0.13 [.005]
3 PLC	±	-
4 PLC	±	-

ANGLES: ± -

MATERIAL: ⚠1

FINISH: ⚠2

APPROVED: R. WALTER

DATE: 12-22-94

NAME: R. WALTER

PRODUCT SPEC: 108-1228

APPLICATION SPEC: 114-40029

WEIGHT: -

SIZE: A1

CAGE CODE: 00779

DRAWING NO: 787362

RESTRICTED TO: -

CUSTOMER DRAWING

SCALE: 4:1

SHEET: 1 OF 1

REV: T1

Tyco Electronics Corporation
Harrisburg, PA 17105-3608

RECEPTACLE ASSEMBLY, SHIELDED, RIGHT ANGLE, TM

单击下面可查看定价，库存，交付和生命周期等信息

[>>TE Connectivity\(泰科\)](#)