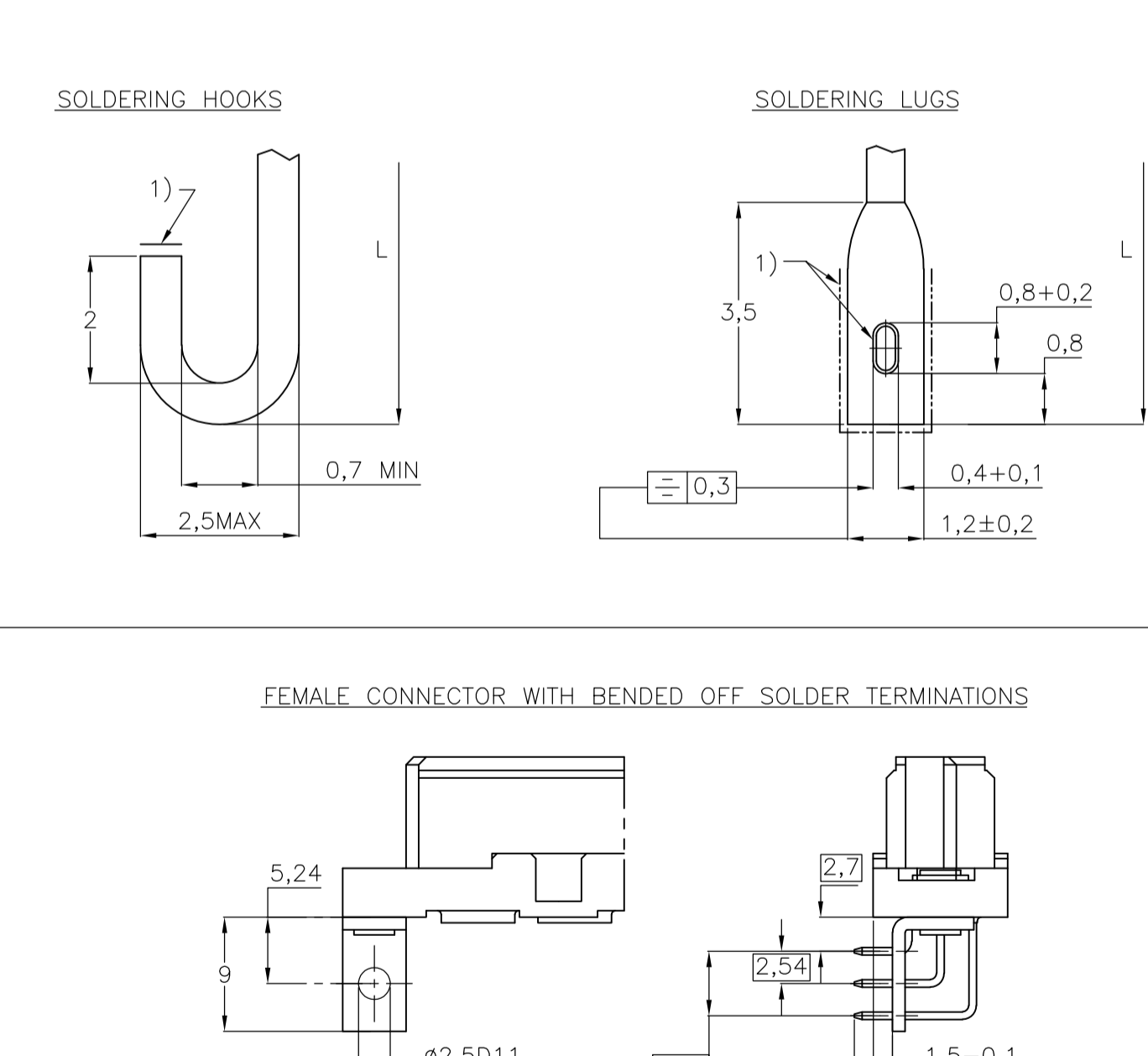
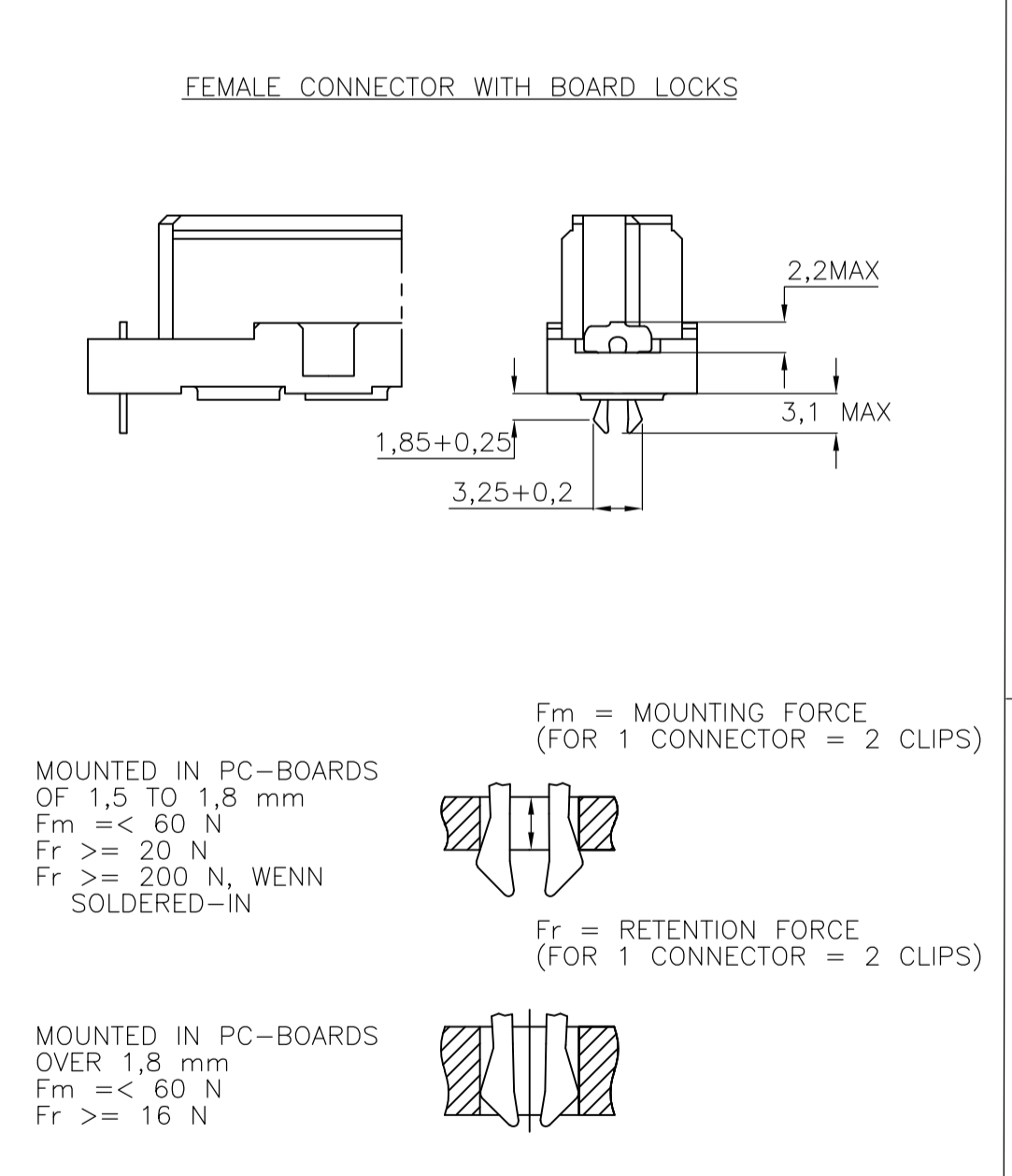
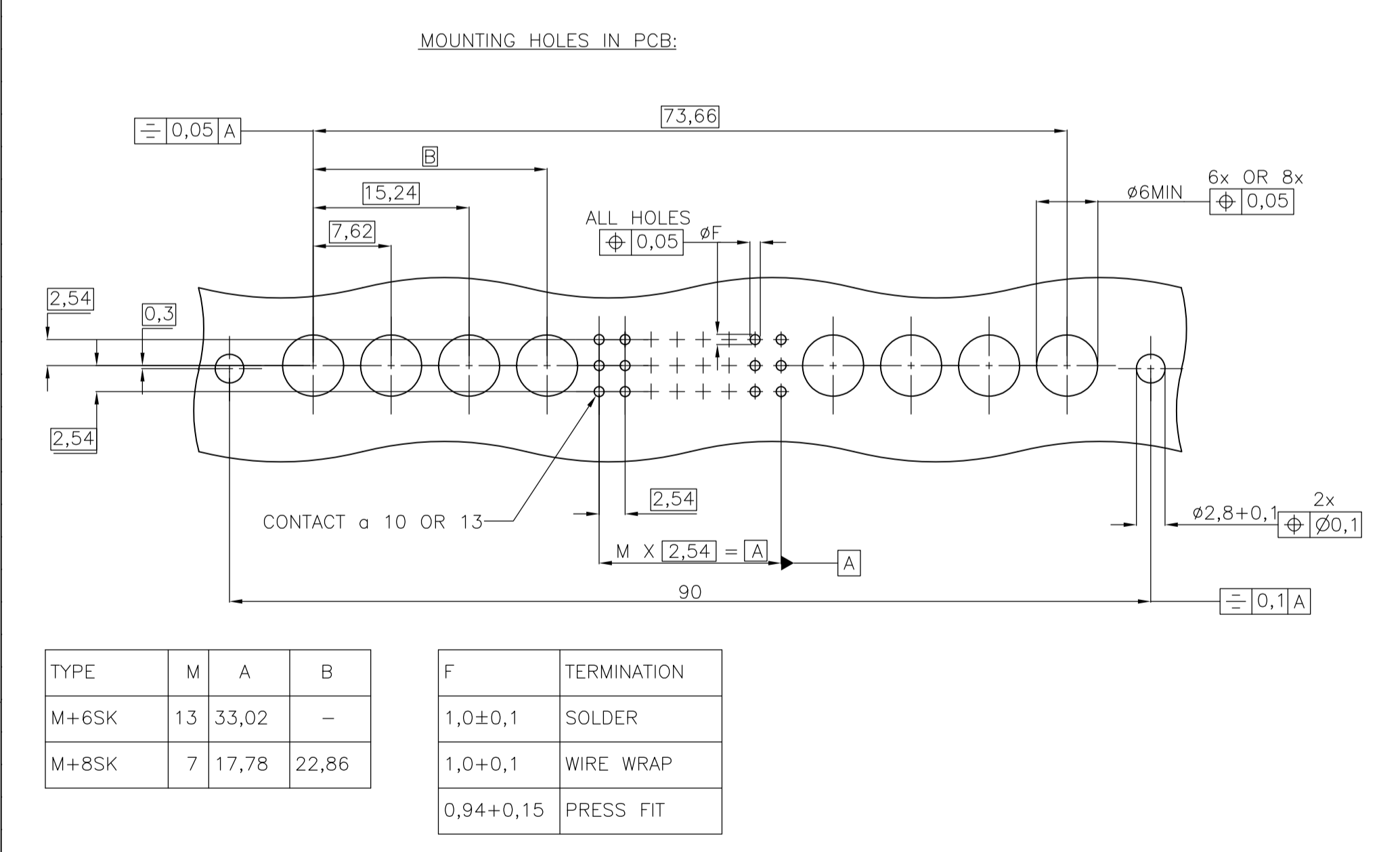


| REVISONS | | DATE | DMN | APVD |
|----------|---------------|----------|-----|------|
| B4 | ECR-08-012253 | 30-10-08 | AEG | MKO |
| B5 | ECR-10-003044 | 02JUN10 | RK | MKG |
| B6 | ECR-10-026542 | 27MAY11 | KK | HMR |

| TERMINATION STYLES | | L | CODE |
|---|--|----------|--------|
| SOLDER TERMINATIONS | | 2,9±0,3 | 01 |
| | | 3,7±0,3 | 05 |
| | | 4,5±0,3 | 02 |
| WIRE WRAP TERMINATIONS AND SOLDER TERMINATION | | 6,3±0,3 | 03 |
| | | 7,3±0,3 | 04 |
| SOLDERING-HOOKS | | 13±0,5 | 40 |
| | | 5,5±0,3 | 30 |
| SOLDERING-LUGS | | 10-0,5 | 35 |
| | | 5,5±0,3 | 10-0,5 |
| SOLDER BENDED OFF | | 3-0,4 | 10 |
| | | 1,55-0,4 | 00 |

TERMINATION WITH GALVANIC SN PLATING

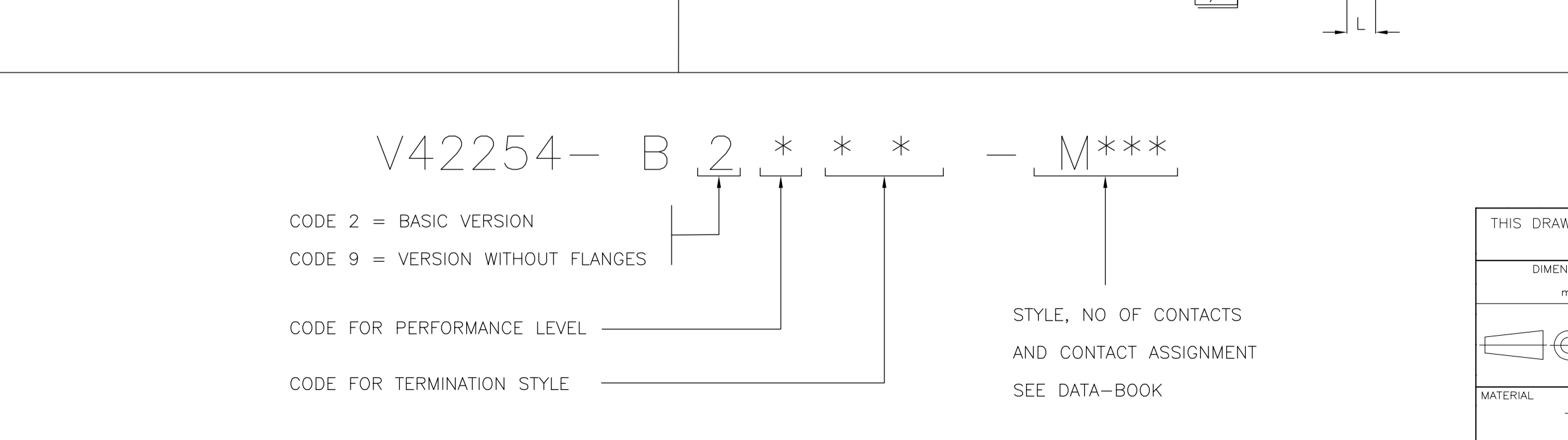
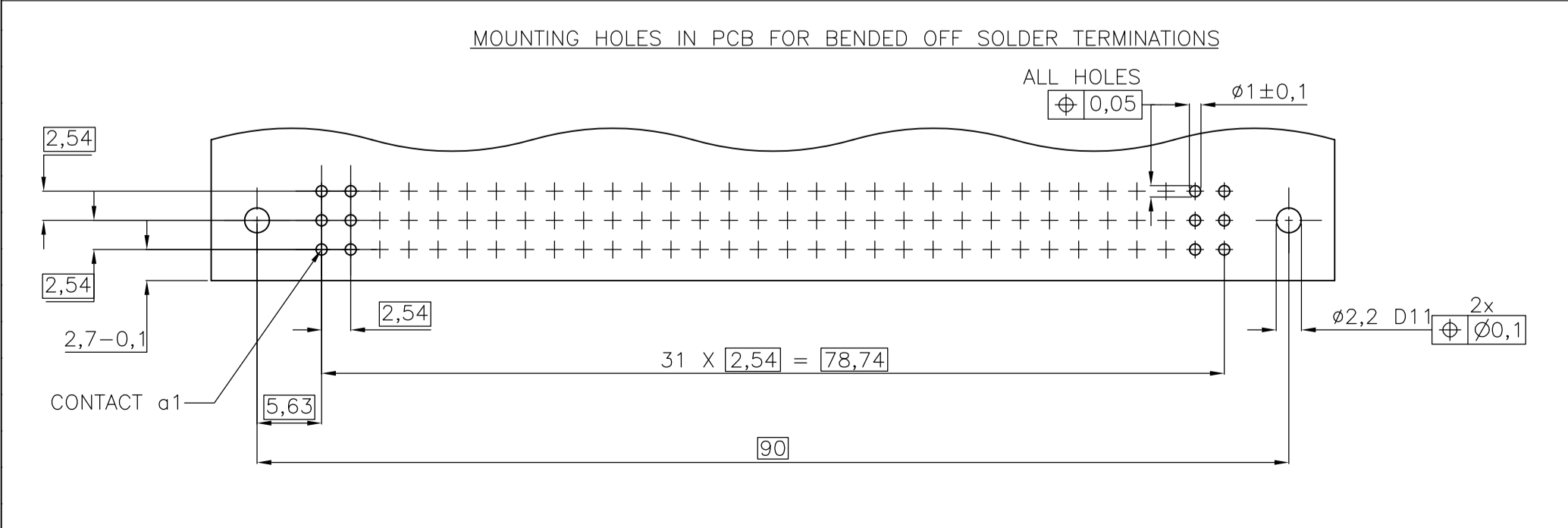
BURRHEIT MAX. 0,02
RADIUS OF EDGES MAX. 0,05



| PERFORMANCE LEVEL | NOBLE METALS | CODE |
|-------------------|---------------|------|
| CLASS I | Pd + Au or Au | 1 |
| | Au | 4 |
| CLASS II | Pd + Au or Au | 2 |
| | Au | 5 |
| CLASS III | Pd + Au or Au | 3 |

NICKEL UNDERLAYER
PROTECTION FILM: HF-GREASE

1) CUTTING EDGES NOT PLATED



| | | | |
|--|--|------------------|---------------|
| THIS DRAWING IS A CONTROLLED DOCUMENT. | | DIN 180CT89 | 180CT89 |
| DIMENSIONS: mm | | APVD | NAME |
| TOLERANCES UNLESS OTHERWISE SPECIFIED: | | SIZE | CAGE CODE |
| 0 PLC ± - | | WEIGHT | RESTRICTED TO |
| 1 PLC ± - | | CUSTOMER DRAWING | SCALE |
| 2 PLC ± - | | | SHEET |
| 3 PLC ± - | | | 1 OF 2 |
| 4 PLC ± - | | | REV |
| ANGLES ± - | | | B6 |

RECEPTACLE ASSEMBLY EUROCARD
TYPE M WITH 6 AND 8 SPECIAL CONTACTS
(PN:V42254-B2***-M4***-7626)

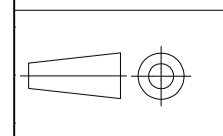
00779 © 4-1393640-1

| PRODUCT DESCRIPTION CODE | TE PN | STYLE & NUMBER OF POSITIONS | TERMINATION POSTS | LOADED ROWS | PERFORMANCE LEVEL | BOARD LOCKS |
|--------------------------|-------------|-----------------------------|--|-------------------------|-------------------|--------------|
| V42254-B2101-M420 | 1-1393640-3 | M42+6 | 2,9MM STRAIGHT SOLDER LEADS | EVERY ROW , EVERY PITCH | 1 | NO OBSOLETE |
| V42254-B2110-M240 | 4-1393640-1 | M24+8 | RIGHT-ANGLE SOLDER LEADS WITH MOUNTING BRACKET | EVERY ROW , EVERY PITCH | 1 | NO OBSOLETE |
| V42254-B2110-M420 | 4-1393640-2 | M42+6 | RIGHT-ANGLE SOLDER LEADS WITH MOUNTING BRACKET | EVERY ROW , EVERY PITCH | 1 | NO |
| V42254-B2135-M240 | 5-1393640-3 | M24+8 | 5,5 / 10MM SOLDER LUGS | EVERY ROW , EVERY PITCH | 1 | NO OBSOLETE |
| V42254-B2135-M420 | 5-1393640-4 | M42+6 | 5,5 / 10MM SOLDER LUGS | EVERY ROW , EVERY PITCH | 1 | NO OBSOLETE |
| V42254-B2140-M240 | 6-1393640-4 | M24+8 | 13MM STRAIGHT WIRE-WRAP PINS | EVERY ROW , EVERY PITCH | 1 | NO OBSOLETE |
| V42254-B2140-M420 | 6-1393640-5 | M42+6 | 13MM STRAIGHT WIRE-WRAP PINS | EVERY ROW , EVERY PITCH | 1 | NO OBSOLETE |
| V42254-B2201-M240 | 9-1393640-7 | M24+8 | 2,9MM STRAIGHT SOLDER LEADS | EVERY ROW , EVERY PITCH | 2 | NO OBSOLETE |
| V42254-B2201-M410 | 9-1393640-9 | M42+6 | 2,9MM STRAIGHT SOLDER LEADS | EVERY ROW , EVERY PITCH | 2 | YES OBSOLETE |
| V42254-B2201-M420 | 1393641-1 | M42+6 | 2,9MM STRAIGHT SOLDER LEADS | EVERY ROW , EVERY PITCH | 2 | NO OBSOLETE |
| V42254-B2201-M423 | 1393641-2 | M42+6 | 2,9MM STRAIGHT SOLDER LEADS | ROW A+C , EVERY PITCH | 2 | NO OBSOLETE |
| V42254-B2202-M240 | 4-1393641-2 | M24+8 | 4,5MM STRAIGHT SOLDER LEADS | EVERY ROW , EVERY PITCH | 2 | NO OBSOLETE |
| V42254-B2202-M420 | 4-1393641-4 | M42+6 | 4,5MM STRAIGHT SOLDER LEADS | EVERY ROW , EVERY PITCH | 2 | NO OBSOLETE |
| V42254-B2202-M420B | 4-1393641-5 | M42+6 | 4,5MM STRAIGHT SOLDER LEADS | EVERY ROW , EVERY PITCH | 2 | NO OBSOLETE |
| V42254-B2203-M240 | 6-1393641-0 | M24+8 | 6,3MM STRAIGHT SOLDER LEADS | EVERY ROW , EVERY PITCH | 2 | NO OBSOLETE |
| V42254-B2240-M240 | 2-1393642-3 | M24+8 | 13MM STRAIGHT WIRE-WRAP PINS | EVERY ROW , EVERY PITCH | 2 | NO OBSOLETE |
| V42254-B2240-M420 | 2-1393642-5 | M42+6 | 13MM STRAIGHT WIRE-WRAP PINS | EVERY ROW , EVERY PITCH | 2 | NO OBSOLETE |

1)

1) ACCORDING TO BT 236 LEVEL 2.

ACTIVE PART NUMBERS.
CONTACT TYCO ELECTRONICS FOR OTHER CONFIGURATION AVAILABILITY

| | | | | |
|---|--|--|--------------------------------------|--|
| THIS DRAWING IS A CONTROLLED DOCUMENT. | | DIN 180CT89 | VANBESJEN | |
| DIMENSIONS: mm | | TOLERANCES UNLESS OTHERWISE SPECIFIED: | STE TE Connectivity | |
|  | | 0 PLC ± - | RECEPTACLE ASSEMBLY EUROCARD | |
| | | 1 PLC ± - | TYPE M WITH 6 AND 8 SPECIAL CONTACTS | |
| | | 2 PLC ± - | (PN:V42254-B2***-M4***-7626) | |
| | | 3 PLC ± - | APPLICATION SPEC | |
| | | 4 PLC ± - | SIZE A1 | |
| | | ANGLES ± - | CAGE CODE 4-1393640-1 | |
| MATERIAL | | FINISH | RESTRICTED TO | |
| | | | CUSTOMER DRAWING | |
| | | | SCALE NTS SHEET 2 OF 2 REV B6 | |

单击下面可查看定价，库存，交付和生命周期等信息

[>>TE Connectivity\(泰科\)](#)