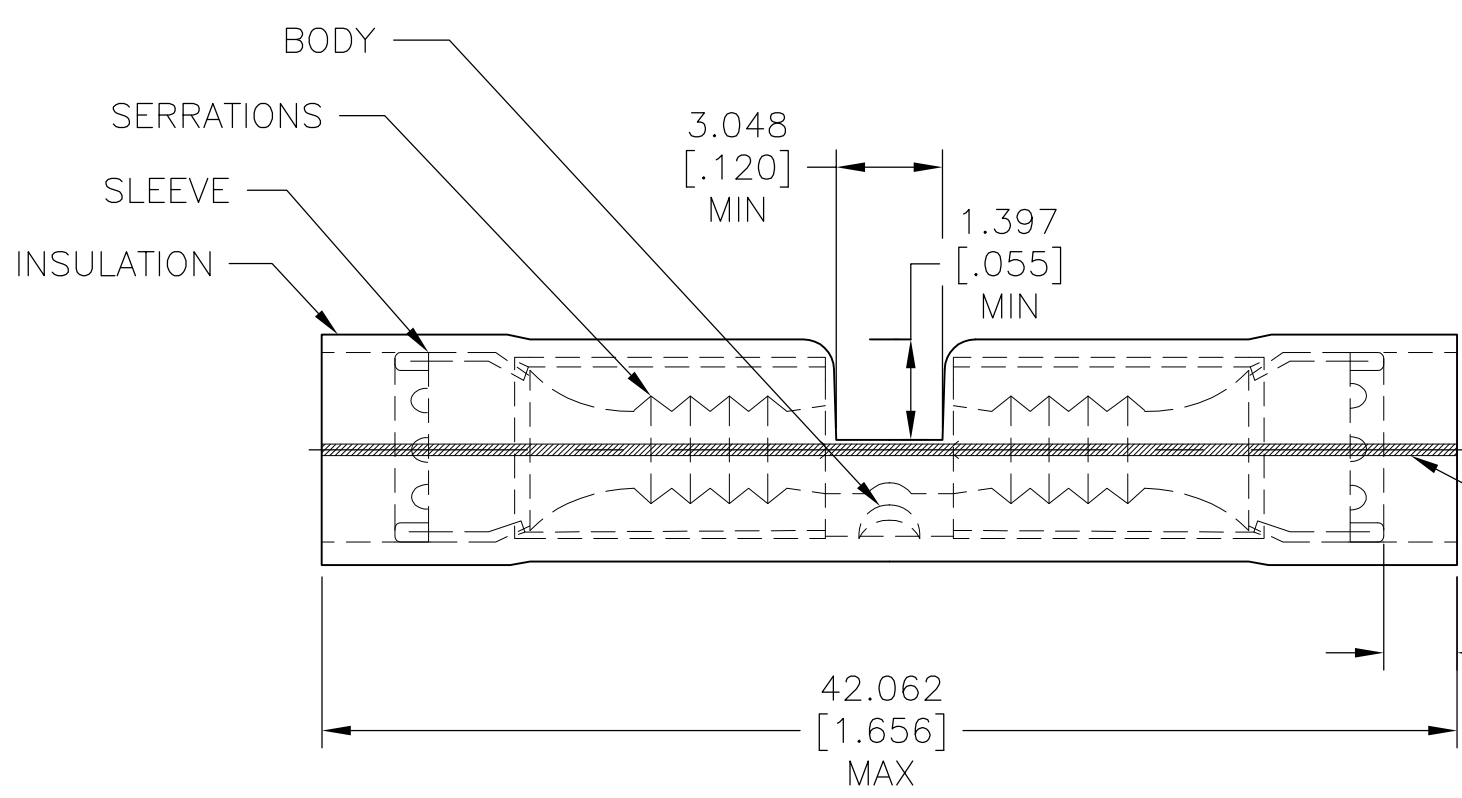


REVISIONS					
P	LTR	DESCRIPTION	DATE	DWN	APVD
	M	REV PER 0G3A-0582-04	31AUG04	JR	TM
	M1	REVISED PER ECO-17-007400	22NOV2017	RS	DR

AMP
WIRE RANGE

12-10 AWG
STRANDED



- 1 WIRE INSULATION $\phi 3.810[\phi.150]$ TO $\phi 5.588[\phi.220]$.
- 2 FINISH:
 BODY AND SLEEVE: TIN/LEAD (93-7) PLATE PER ASTM B545.
 (3% MIN LEAD CONTENT)
 INSULATION: COLOR-NATURAL.
- 3 MATERIAL:
 BODY AND SLEEVE: COPPER PER ASTM B152
 INSULATION: PVF².

M7928/6-5 CLASS 1 & 2	500	LOOSE PIECE	53550-1
MILITARY PART NUMBER AND CLASS PER MIL-T-7928	QTY	PACKAGE TYPE	PART NO.

AMP INCORPORATED CUSTOMER SERVICE SYSTEMS		MAX RECOMMENDED OPERATING TEMPERATURE: 150°C[302°F]	THIS DRAWING IS A CONTROLLED DOCUMENT.		DWN S.S. GOULDEN 9-28-93	STE TE Connectivity				
FOR ADDITIONAL PRODUCT INFORMATION OR COPIES OF DRAWINGS AND TECHNICAL DOCUMENTS	PRODUCT INFORMATION CENTER 1-800-522-6752	VOLTAGE RATING: -	DIMENSIONS: mm [INCHES]	TOLERANCES UNLESS OTHERWISE SPECIFIED:	CHK R. HERSEY 9-28-93				NAME SPLICE, BUTT, PVF ² , P.I.D.G. WIRE SIZE: 12-10 AWG	
FOR APPLICATION TOOLING INFORMATION	TOOLING ASSISTANCE CENTER 1-800-722-1111	CIRCULAR MIL AREA: 2.62-6.64mm ² [5,180-13,100] STRANDED		0 PLC ± - 1 PLC ± - 2 PLC ± - 3 PLC ± 0.127[.005] 4 PLC ± - ANGLES ± -	APVD M ELLIS 9-28-93	PRODUCT SPEC	SIZE	CAGE CODE	DRAWING NO	RESTRICTED TO
FOR ORDER ENTRY	1-800-526-5142	THIS DRAWING IS A CONTROLLED DOCUMENT FOR AMP INCORPORATED. IT IS SUBJECT TO CHANGE AND THE CONTROLLING ENGINEERING ORGANIZATION SHOULD BE CONTACTED FOR THE LATEST REVISION.	MATERIAL	FINISH	APPLICATION SPEC 114-2157	WEIGHT	A3	00779	C-53550	-
					CUSTOMER DRAWING	SCALE	1:1	SHEET	1 OF 1	REV M1

单击下面可查看定价，库存，交付和生命周期等信息

[>>TE Connectivity\(泰科\)](#)