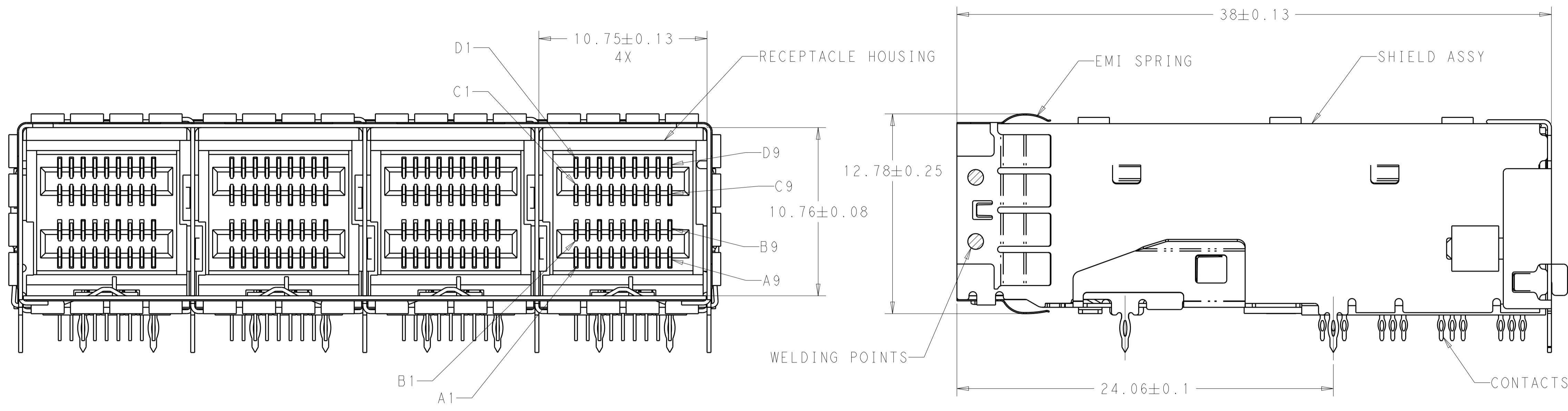
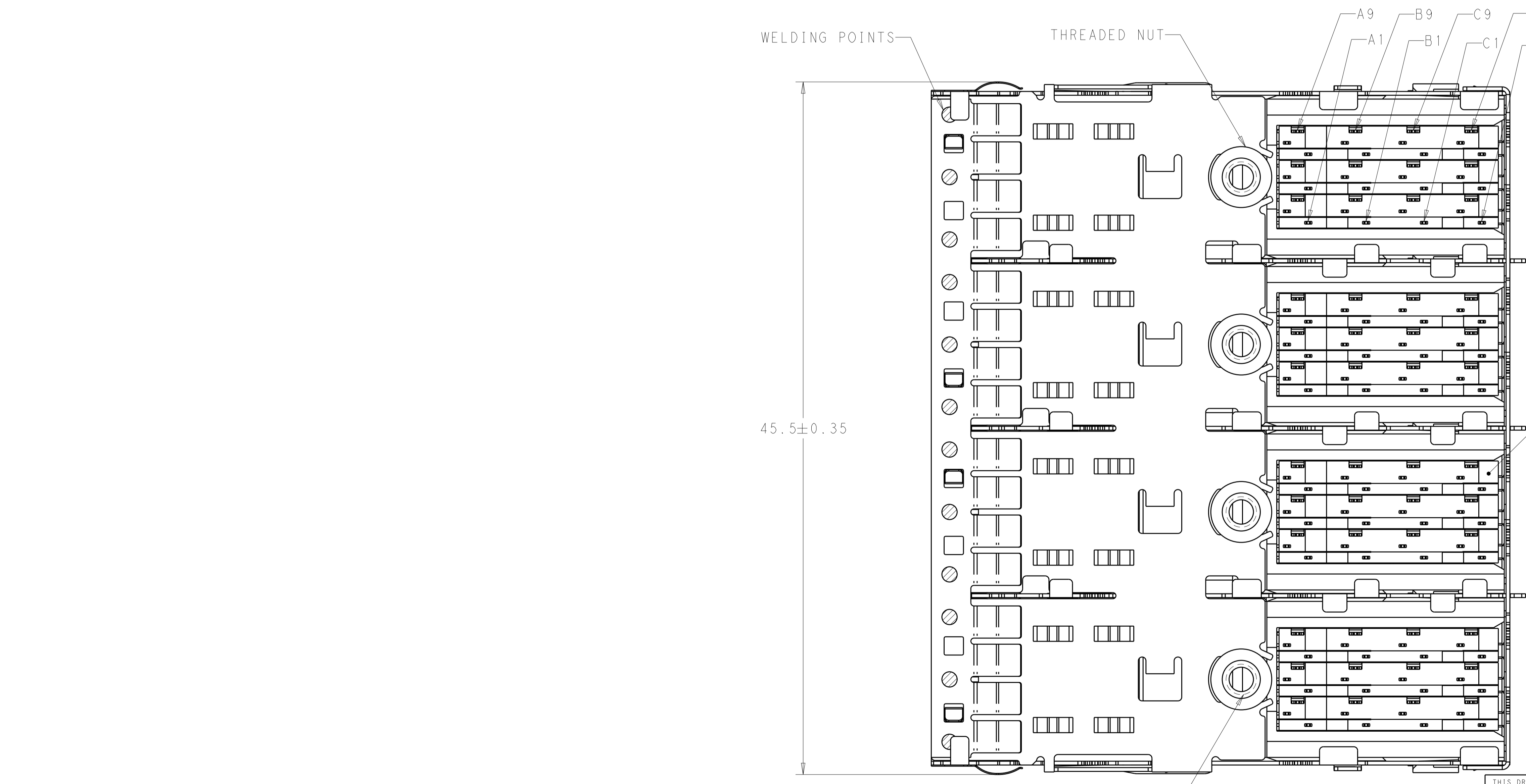


LOC	DIST	REVISIONS					
		P	LTN	DESCRIPTION	DATE	DWN	APVD
AG	00	A		REVISED PER ECO-14-018497	17DEC2014	AP	DG
		B		REVISED PER ECO-15-013876	19JUN2016	JY	SH



- 1. MATERIALS**
 RECEPTACLE HOUSING, LCP, BLACK, UL94V-0 RATED
 SHIELD ASSY: NICKEL SILVER COPPER ALLOY
 CONTACTS: COPPER ALLOY
 EMI SPRING: COPPER ALLOY
 THREADED NUT: BRASS
 CHICKLETS: LCP, BLACK, UL 94V-0 RATED
- 2. FINISH**
 EMI SPRING: TIN PLATE OVER NICKEL PLATE
 NON-PLATED EDGES PERMISSABLE
 THREADED NUT: NICKEL PLATE
- 3. CONTACT FINISH:** CONFORMS TO THE REQUIREMENTS OF TE PRODUCT SPECIFICATION, 108-2462. BASED ON EIA/ECA-364-1000.01A. (CONTROLLED ENVIRONMENT APPLICATIONS) ON MATING END. TIN PLATED ON PCB TAIL
- 4. THREAD LENGTH OF FASTENER = PCB THICKNESS+1.45 MAX**
- 5. RECOMMENDED TRACE KEEP OUT ZONE**

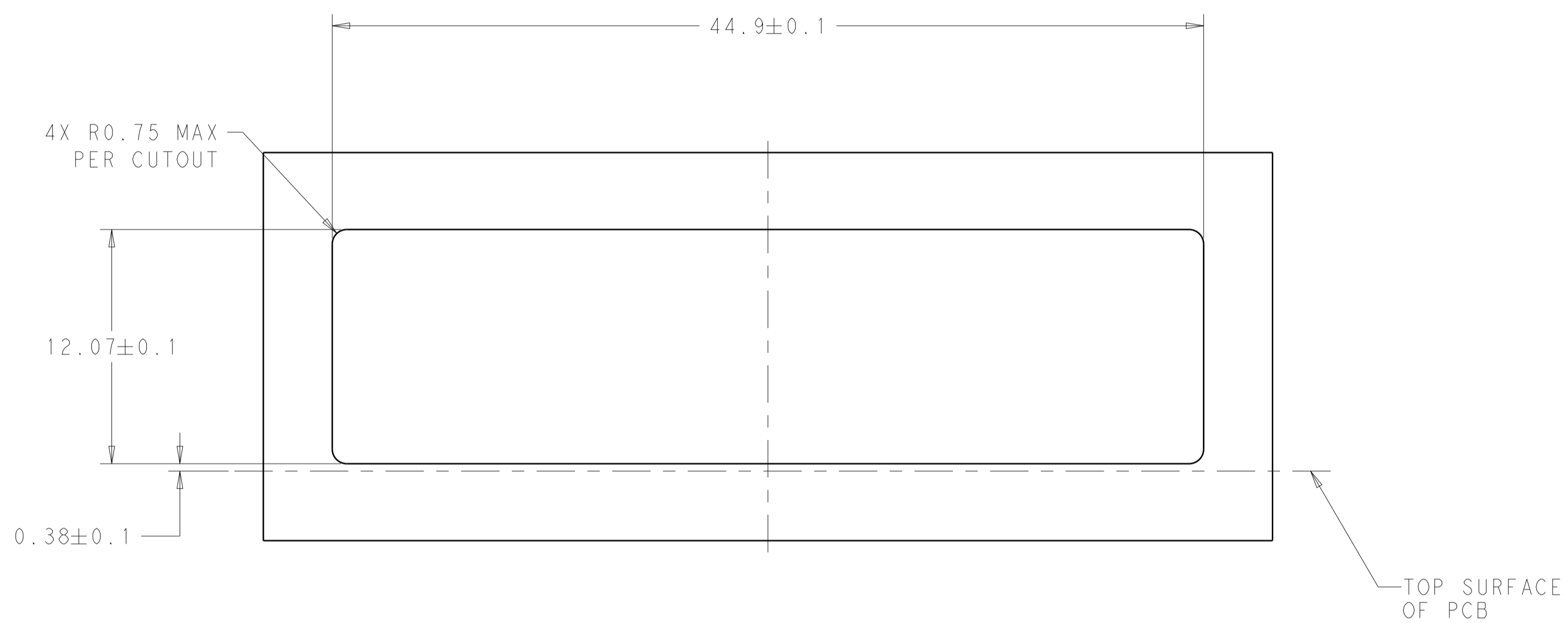


2214870-1
PART NUMBER

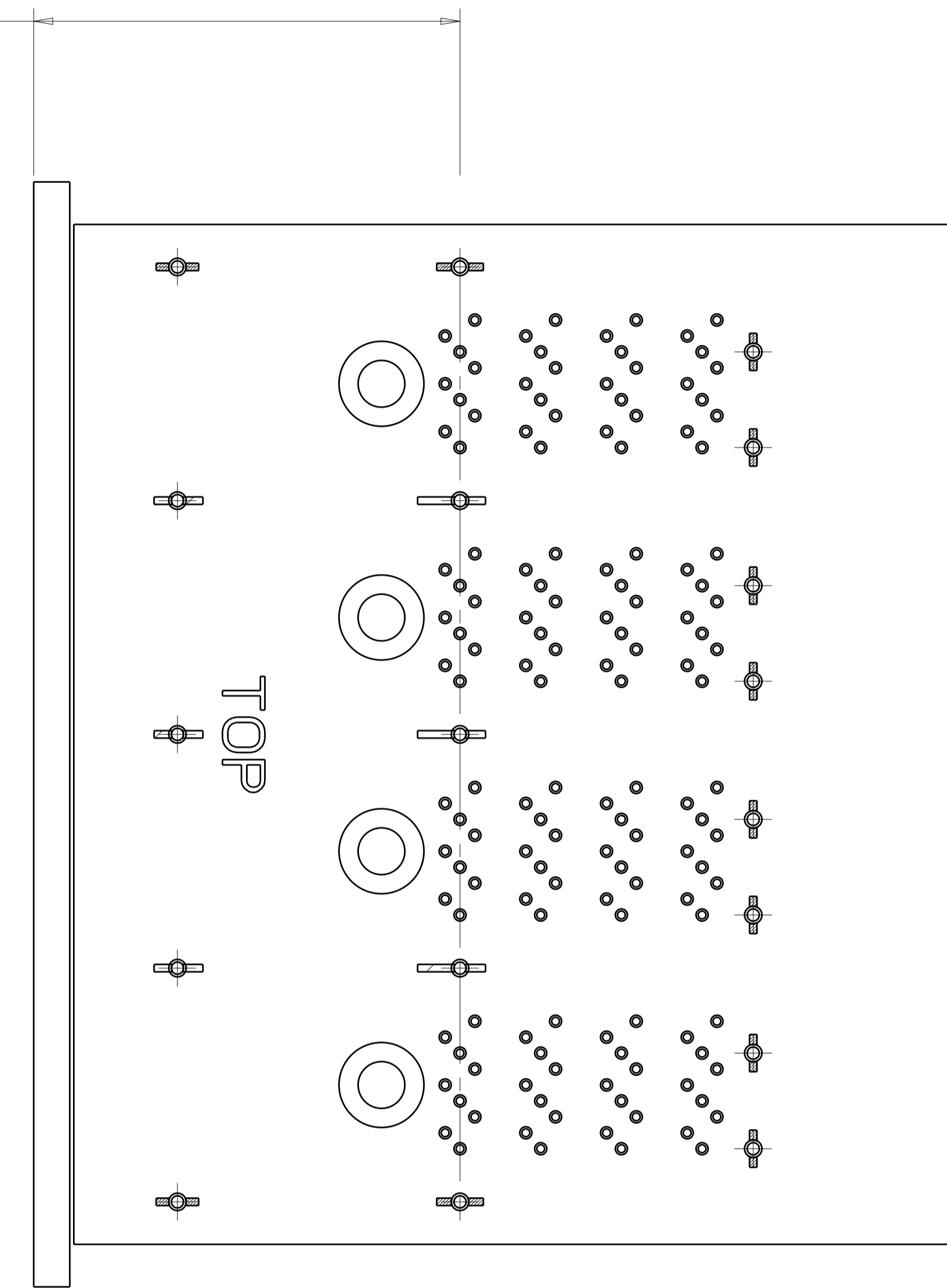
THIS DRAWING IS A CONTROLLED DOCUMENT.		DWN: J. SECHRIST 26MAR2012	
DIMENSIONS: mm		CHK: J. SECHRIST 26MAR2012	
TOLERANCES UNLESS OTHERWISE SPECIFIED:		APVD: -	NAME: RECEPTACLE ASSEMBLY, MINI-SAS HD, 4X
0 PLC ±		PRODUCT SPEC: 108-2462	SIZE: A1
1 PLC ±		APPLICATION SPEC: 114-13316	CAGE CODE: C=2214870
2 PLC ±		WEIGHT: -	RESTRICTED TO: -
3 PLC ±		CUSTOMER DRAWING	SCALE: 6:1
4 PLC ±			SHEET: 1 OF 3
ANGLES ±			REV: B
FINISH: -			

LOC		DIST		REVISIONS			
P	LTN	DESCRIPTION	DATE	DWN	APVD		
-	-	SEE SHEET 1	-	-	-		

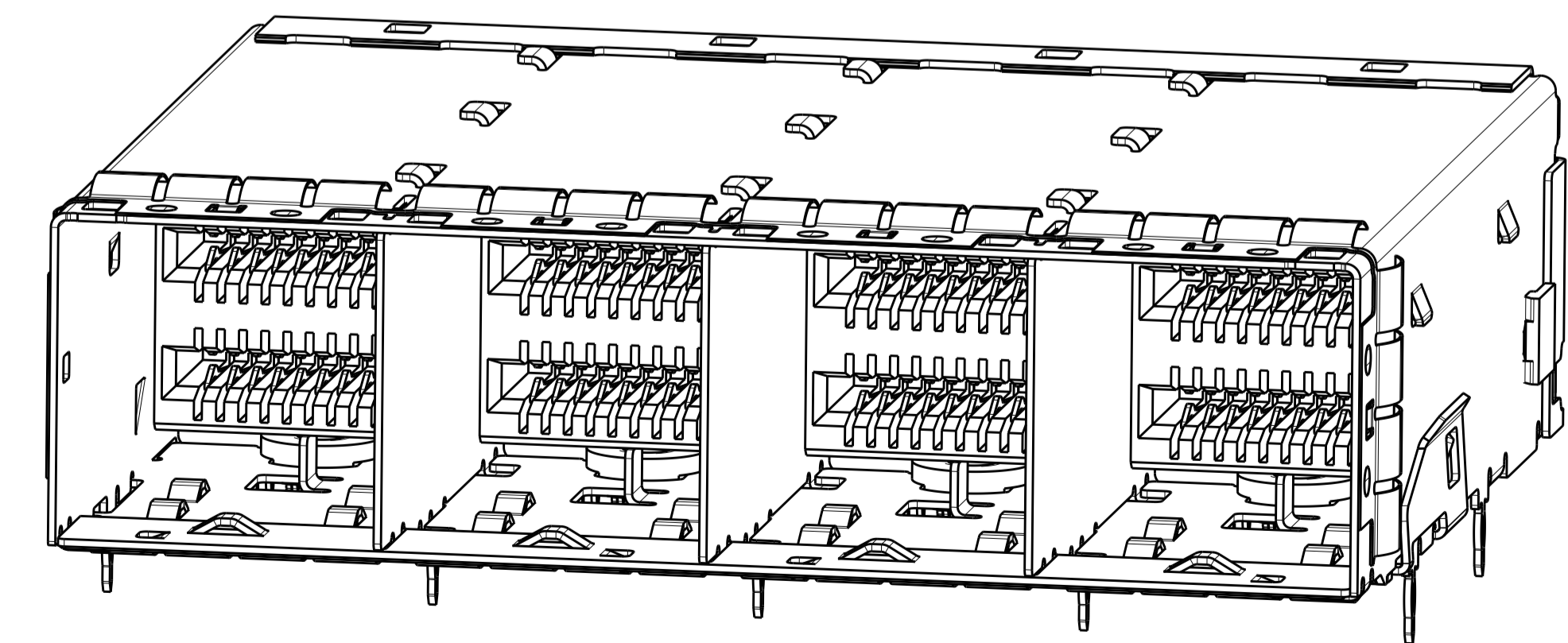
19 PCI APPLICATION
 20.08 ALL OTHER APPLICATIONS



RECOMMENDED I/O PANEL CUTOUT
 SCALE=5:1



PANEL/PCB ASSEMBLY
 SCALE=5:1



THIS DRAWING IS A CONTROLLED DOCUMENT.		DWN: J. SECHRIST 26MAR2012	
		CHK: J. SECHRIST 26MAR2012	
DIMENSIONS:		NAME	
mm	0 PLC ±	RECEPTACLE ASSEMBLY, MINI-SAS HD, 4X	
	2 PLC ±	PRODUCT SPEC	
	3 PLC ±	108-2462	
	4 PLC ±	APPLICATION SPEC	
	ANGLES ±	114-13316	
MATERIAL	FINISH	WEIGHT	RESTRICTED TO
-	-	-	A100779C=2214870
CUSTOMER DRAWING		SCALE 5:1	SHEET 3 OF 3 REV B

单击下面可查看定价，库存，交付和生命周期等信息

[>>TE Connectivity\(泰科\)](#)