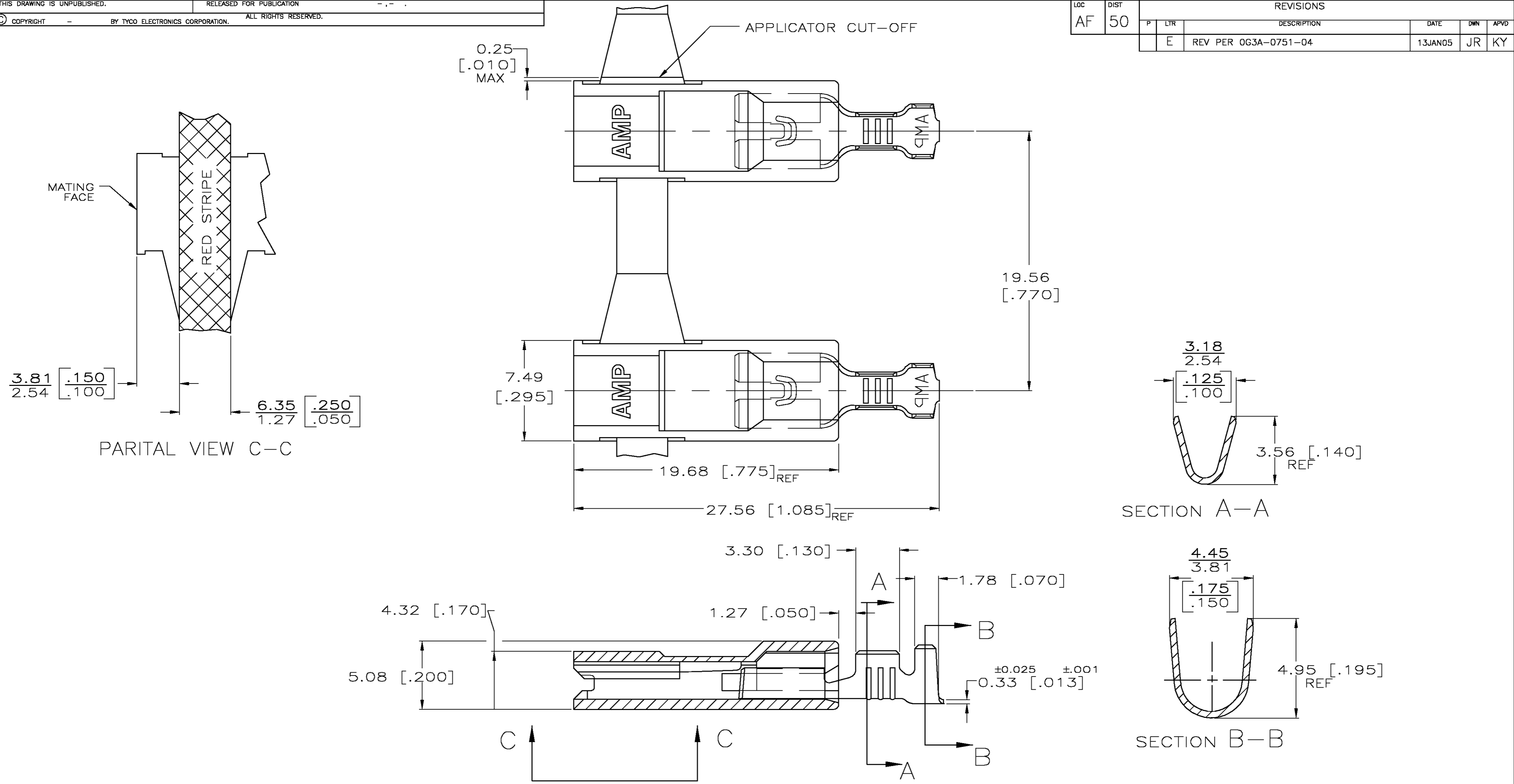


THIS DRAWING IS UNPUBLISHED. RELEASED FOR PUBLICATION
 © COPYRIGHT BY TYCO ELECTRONICS CORPORATION. ALL RIGHTS RESERVED.

LOC	DIST	REVISIONS			
P	LTR	DESCRIPTION	DATE	DWN	APVD
AF	50	E	REV PER 0G3A-0751-04	13JAN05	JR KY



1 FASTON TERMINALS, BASE
 P/N 63654, ARE USED IN THIS PRODUCT.
 2 MATERIAL - HOUSING, 6/6 NYLON, COLOR NATURAL
 TERMINAL, 4H BRASS, NO PLATING

OBSOLETE	— BULK —	2.29—3.30 [.090—.130]	0.5—1.3 mm ² [20—16]	0.81 [.032]	5-521086-1
	STANDARD				521086-1
	PACKAGING	INSULATION RANGE	WIRE SIZE	MATING TAB THK ±0.025 [±.001]	PART NO.

THIS DRAWING IS A CONTROLLED DOCUMENT.		DWN	JR RUTH	4/28/95	Tyco Electronics Corporation Harrisburg, Pa 17105-3608
DIMENSIONS: MM [INCHES]		CHK	MS FEHER	4/28/95	
TOLERANCES UNLESS OTHERWISE SPECIFIED:		APVD	J WORMAN	4/28/95	
0 PLC ± - 1 PLC ± - 2 PLC ± - 3 PLC ± 0.25 [.010] 4 PLC ± - ANGLES ± - FINISH - 2		PRODUCT SPEC	118-1285		
MATERIAL - 2		APPLICATION SPEC	114-2124		NAME
		WEIGHT	-		SIZE
		CUSTOMER DRAWING	SCALE	5:1	SHEET
					1 OF 1
					REV
					E

单击下面可查看定价，库存，交付和生命周期等信息

[>>TE Connectivity\(泰科\)](#)