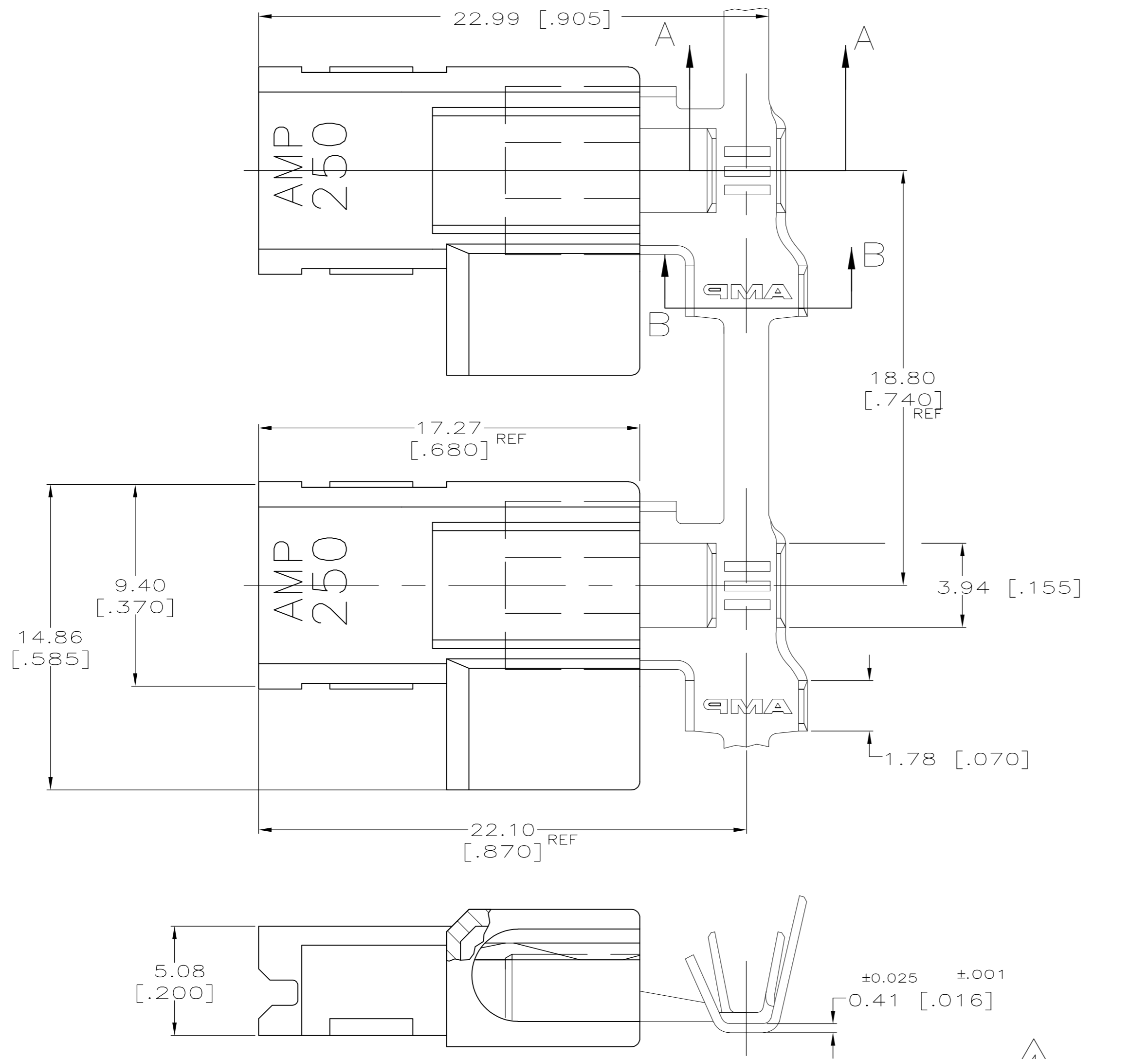
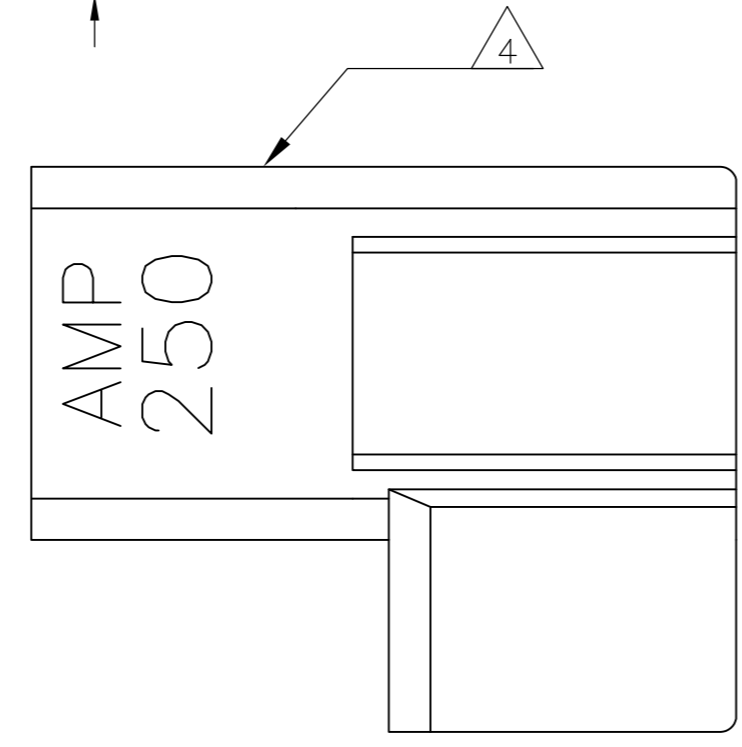
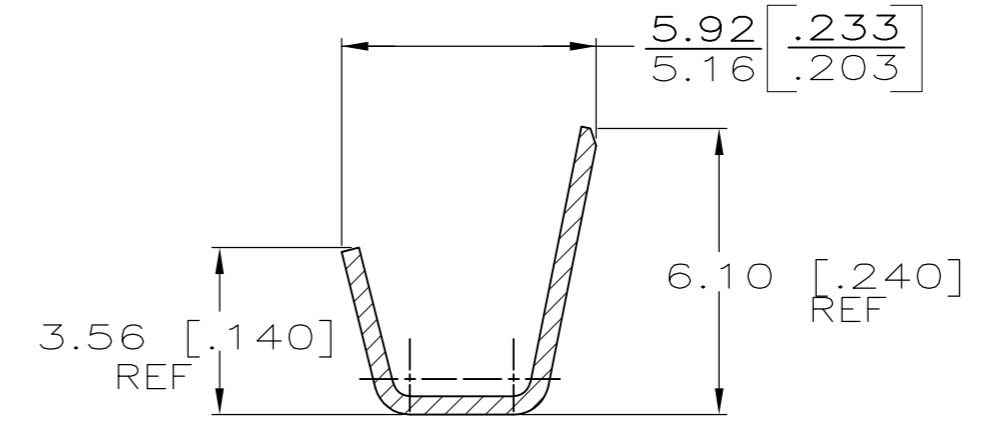
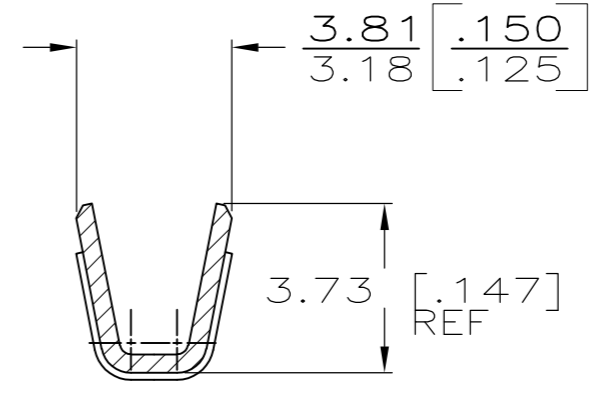


THIS DRAWING IS UNPUBLISHED. RELEASED FOR PUBLICATION  
 © COPYRIGHT BY TYCO ELECTRONICS CORPORATION. ALL RIGHTS RESERVED.

LOC	DIST	REVISIONS			
P	LTR	DESCRIPTION	DATE	DWN	APVD
AF	50				
		C1	REV PER ECR 10-005376	11MAR10	JR GP



- 1 BUDGET FLAG FASTON TERMINALS, (STRESS RELIEVED) BASE P/N 63559, ARE USED IN THIS PRODUCT.
- 2 WIRE SIZE [#18-#14] AWG.
- 3 INSULATION RANGE IS 2.79-4.06 [.110-.160] DIA.
- △ ALTERNATIVE HOUSING FORM



STANDARD	6/6 NYLON / NATURAL	TIN PLATE - 4M HARD BRASS	521347-2												
	6/6 NYLON / NATURAL	PLAIN - 4M HARD BRASS	521347-1												
PACKAGING	HOUSING MATERIAL / COLOR	TERMINAL FINISH - MATERIAL	PART NO												
THIS DRAWING IS A CONTROLLED DOCUMENT.		DWN 22AUG00 JR RUTH	Tyco Electronics Corporation Harrisburg, PA 17105												
DIMENSIONS: INCHES		CHK 22AUG00 MS FEHER													
TOLERANCES UNLESS OTHERWISE SPECIFIED:		APVD 22AUG00 J HUMMEL													
<table border="0"> <tr><td>0 PLC</td><td>± -</td></tr> <tr><td>1 PLC</td><td>± -</td></tr> <tr><td>2 PLC</td><td>± -</td></tr> <tr><td>3 PLC</td><td>± 0.25 [.010]</td></tr> <tr><td>4 PLC</td><td>± -</td></tr> <tr><td>ANGLES</td><td>± -</td></tr> </table>		0 PLC	± -	1 PLC	± -	2 PLC	± -	3 PLC	± 0.25 [.010]	4 PLC	± -	ANGLES	± -	PRODUCT SPEC 108-1285	NAME ASSEMBLY, RECEPTACLE, FLAG, ULTRA-POD, 6.35 [.250] SERIES
0 PLC	± -														
1 PLC	± -														
2 PLC	± -														
3 PLC	± 0.25 [.010]														
4 PLC	± -														
ANGLES	± -														
MATERIAL	SEE TABLE	APPLICATION SPEC 114-2124	RESTRICTED TO												
	SEE TABLE	WEIGHT -	SIZE A2												
		CUSTOMER DRAWING	CAGE CODE 00779												
			DRAWING NO C=521347												
			SCALE 6:1												
			SHEET 1 OF 1												
			REV C1												

单击下面可查看定价，库存，交付和生命周期等信息

[>>TE Connectivity\(泰科\)](#)