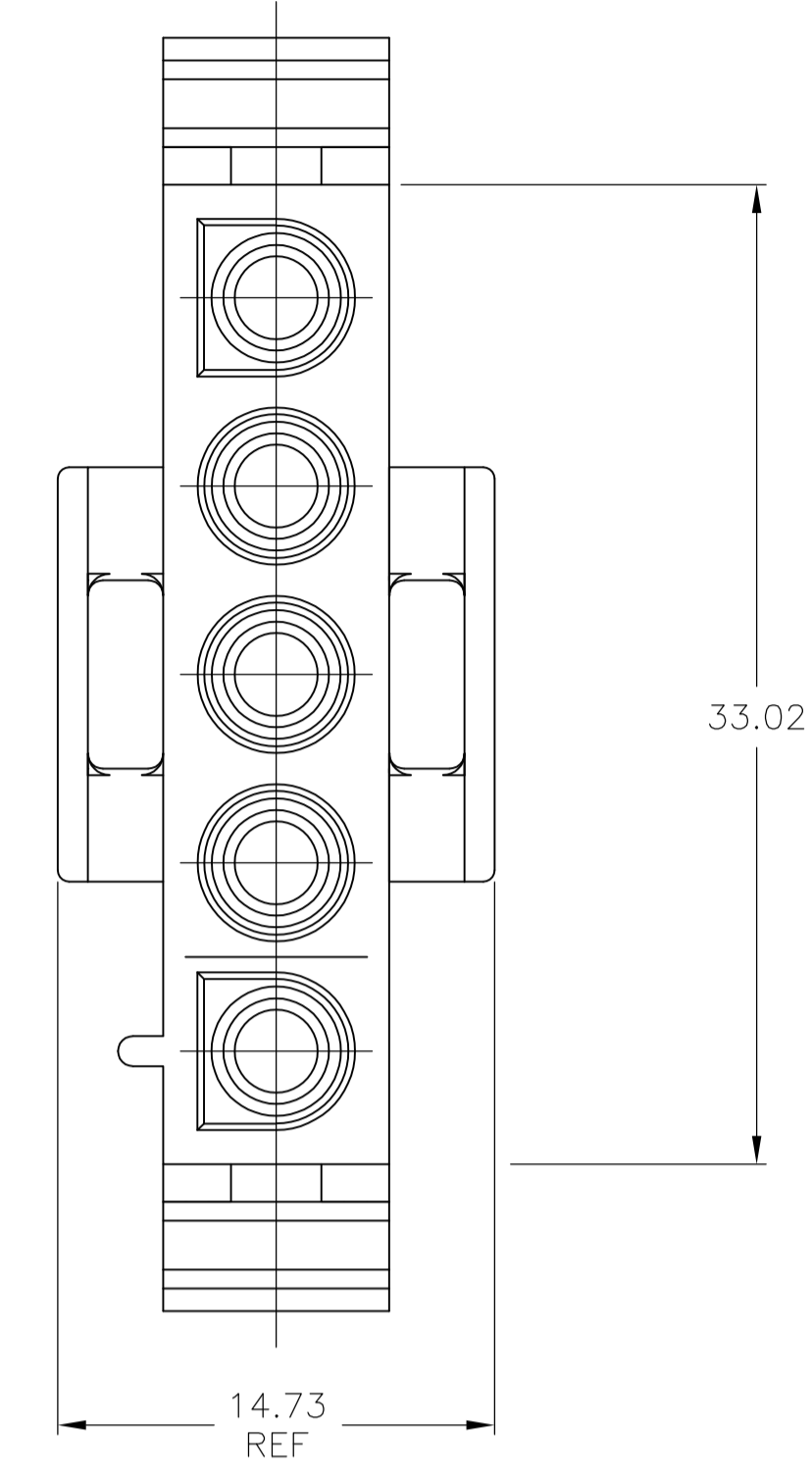
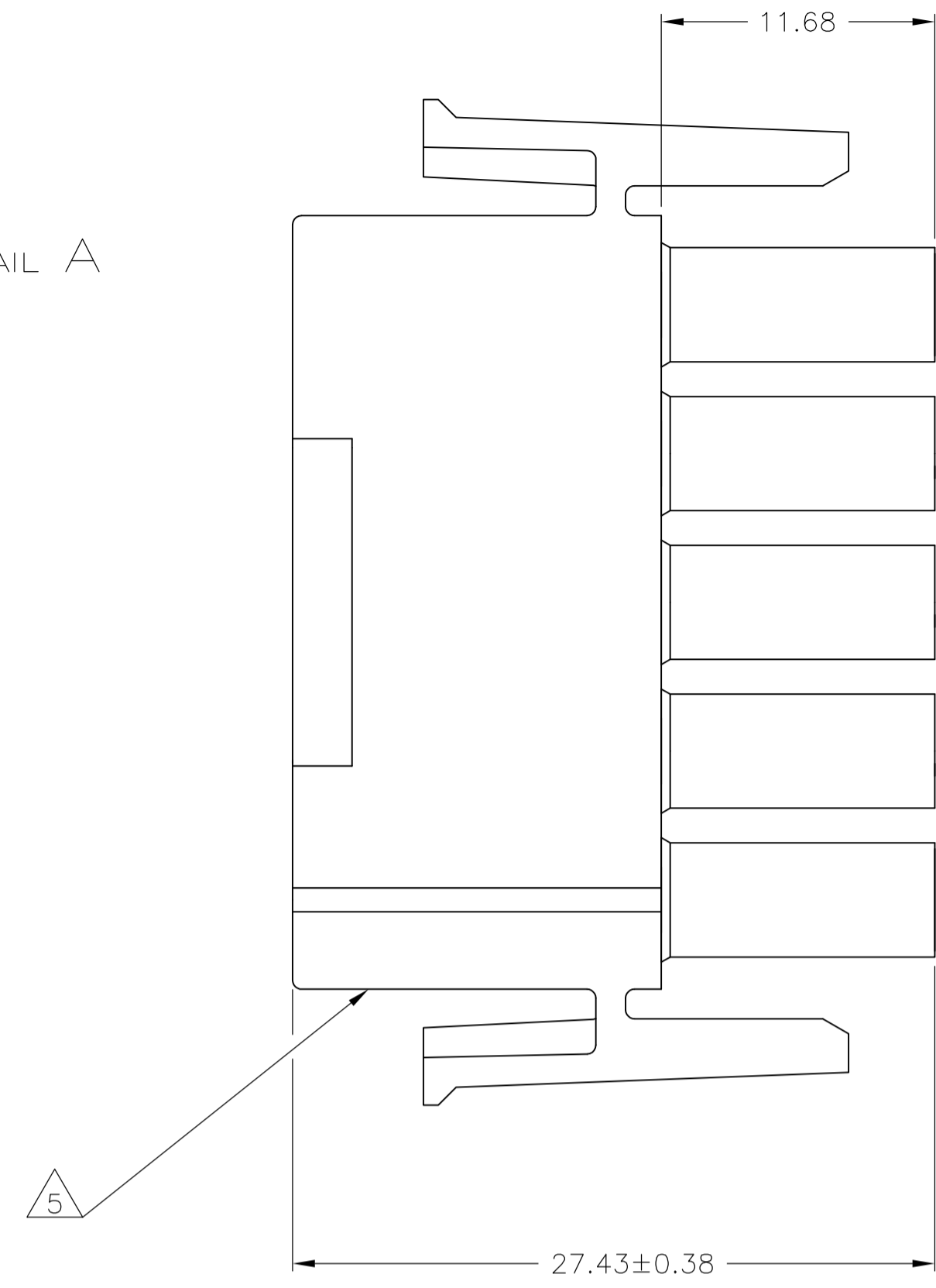
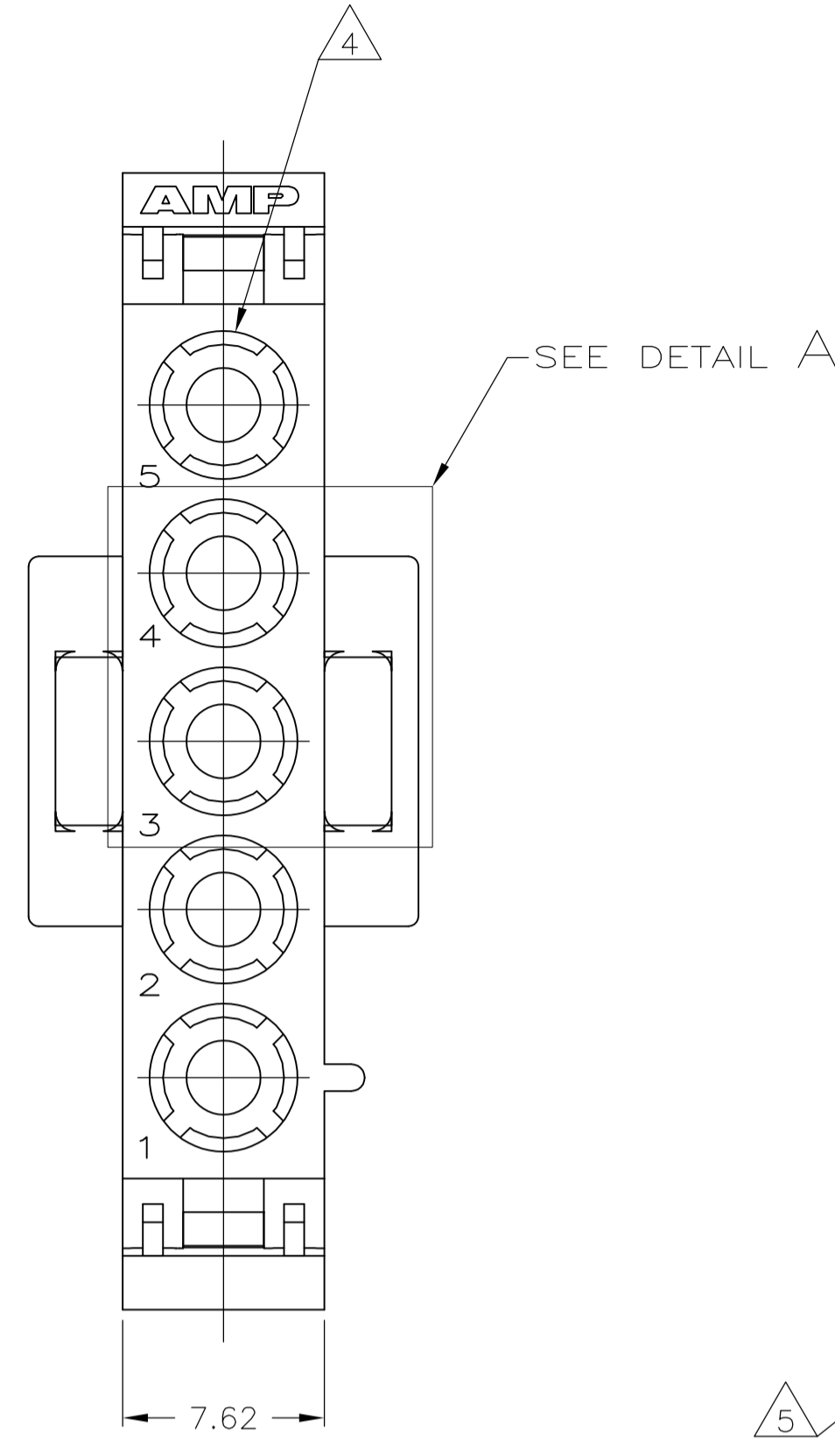
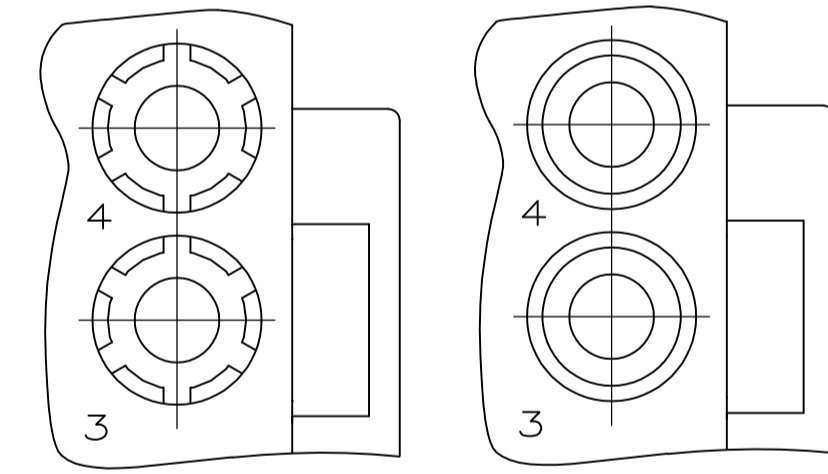
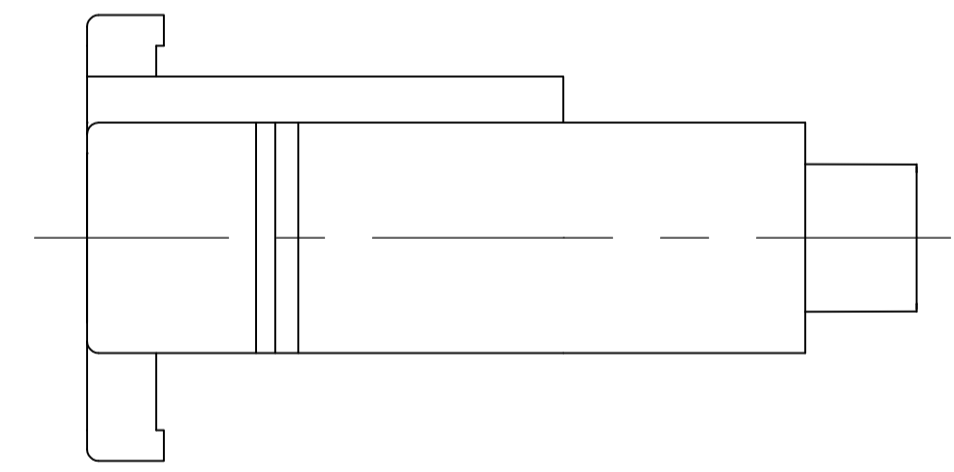


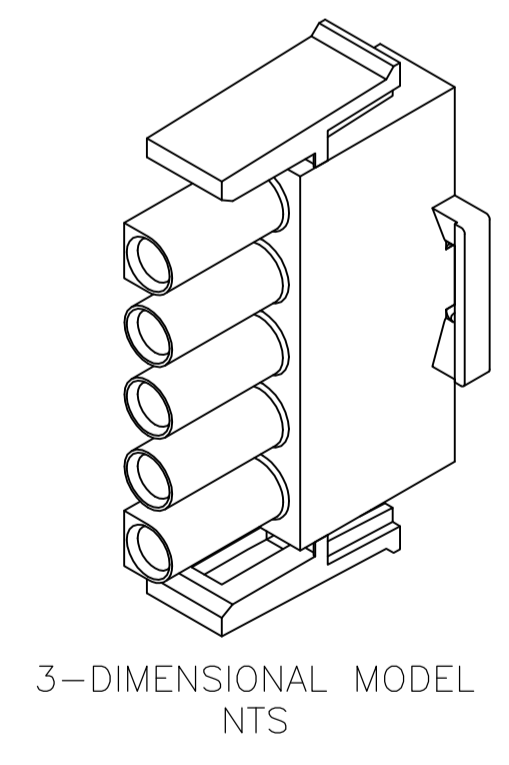
| LOC |             | DIST          |           | REVISIONS   |      |    |      |
|-----|-------------|---------------|-----------|-------------|------|----|------|
| CM  | 53          | REV           | DATE      | DESCRIPTION | DATE | BY | APPV |
| Y5  | REVISED PER | ECR-17-006277 | 25MAY2017 |             |      | BW | KR   |



- MATES WITH APPROPRIATE UNIVERSAL MATE-N-LOK™ CAP OR HEADER.
  - SMALL NICKS ARE PERMITTED ON THE CIRCUIT TOWERS WHICH COULD INCREASE THE INITIAL HOUSING MATING FORCE BY UP TO 4.4 NEWTONS [1.0 LBS]. NO INDIVIDUAL NICKED TOWER SHALL INCREASE THIS FORCE BY OVER 2.2 NEWTONS [.5 LBS].
  - DIMENSIONS SHOWN REPRESENT PRODUCT IN DRY, AS MOLDED, CONDITION. ADDITIONAL 2% GROWTH DUE TO SUBSEQUENT MOISTURE ABSORPTION MAY OCCUR AND SHOULD BE ACCOUNTED FOR.
- △ 4 FOUR RIBS EQUALLY SPACED, NO SPECIFIC ORIENTATION. NO RIBS OR SIX RIBS EQUALLY SPACED, NO SPECIFIC ORIENTATION, OPTIONAL.
- △ 5 UNDERWRITERS RECOGNIZED COMPONENT LOGO AND CSA CERTIFICATION LOGO TO BE LOCATED ONCE EACH ON SIDE OF HOUSING.



DETAIL A  
OPTIONAL CONSTRUCTION



| PA66 VO GWT 750°C<br>NO FLAME | COLOR   | PART NO.   |
|-------------------------------|---------|------------|
|                               | NATURAL | 350809-3   |
|                               | BLACK   | 1-350809-9 |
|                               | GRAY    | 1-350809-8 |
|                               | BLUE    | 1-350809-6 |
|                               | GREEN   | 1-350809-5 |
|                               | YELLOW  | 1-350809-4 |
|                               | ORANGE  | 1-350809-3 |
|                               | RED     | 1-350809-2 |
|                               | BROWN   | 1-350809-1 |
| SUPERCEDED BY 1-350809-9      | BLACK   | 350809-2   |
|                               | NATURAL | 350809-1   |
|                               | COLOR   | PART NO.   |

| mm    | IN    |
|-------|-------|
| 33.02 | 1.300 |
| 27.43 | 1.080 |
| 14.73 | .580  |
| 11.68 | .460  |
| 7.62  | .300  |
| 0.38  | .015  |
| 0.13  | .005  |
| MM    | IN    |

CONVERSION TABLE

THIS DRAWING IS A CONTROLLED DOCUMENT.

|             |                                        |                      |                                        |
|-------------|----------------------------------------|----------------------|----------------------------------------|
| DIMENSIONS: | TOLERANCES UNLESS OTHERWISE SPECIFIED: | DIN R VESTAL 24FEB95 | NAME                                   |
| mm          | 0. PLC ± -                             | CHK R SWING 24FEB95  | PLUG, 5 CIRCUIT, UNIVERSAL MATE-N-LOK™ |
|             | 1. PLC ± -                             | APPV D SELF 24FEB95  | 108-1031                               |
|             | 2. PLC ± 0.13                          |                      | APPLICATION SPEC                       |
|             | 3. PLC ± -                             |                      | 114-18011                              |
|             | 4. PLC ± -                             |                      | SIZE                                   |
|             | ANGLES ± 0°30'                         |                      | A1                                     |
| MATERIAL    | FINISH                                 | WEIGHT               | SCALE                                  |
| SEE TABLE   | -                                      | -                    | 4:1                                    |

CUSTOMER DRAWING

SCALE 4:1 SHEET 1 OF 1 REV Y5

单击下面可查看定价，库存，交付和生命周期等信息

[>>TE Connectivity\(泰科\)](#)