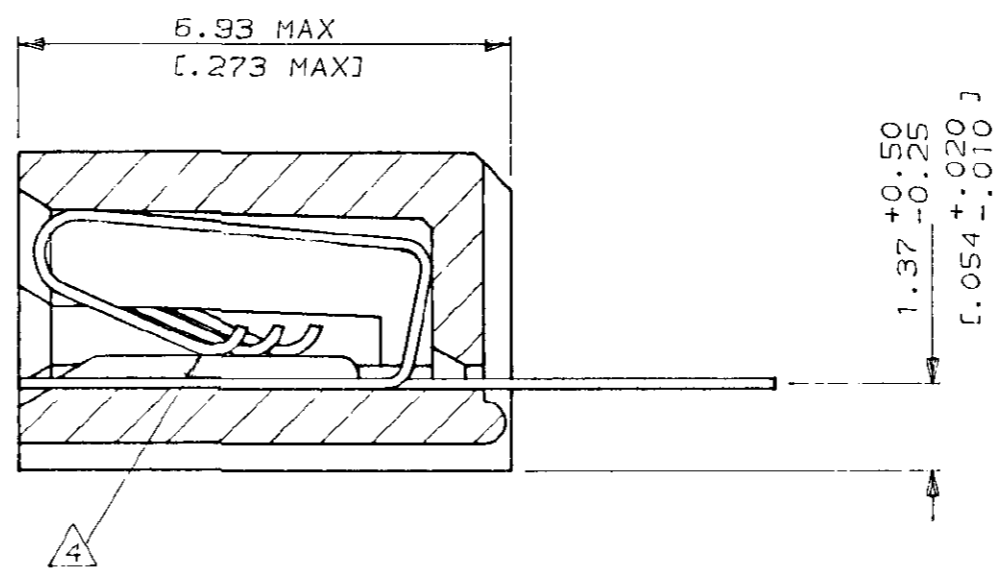
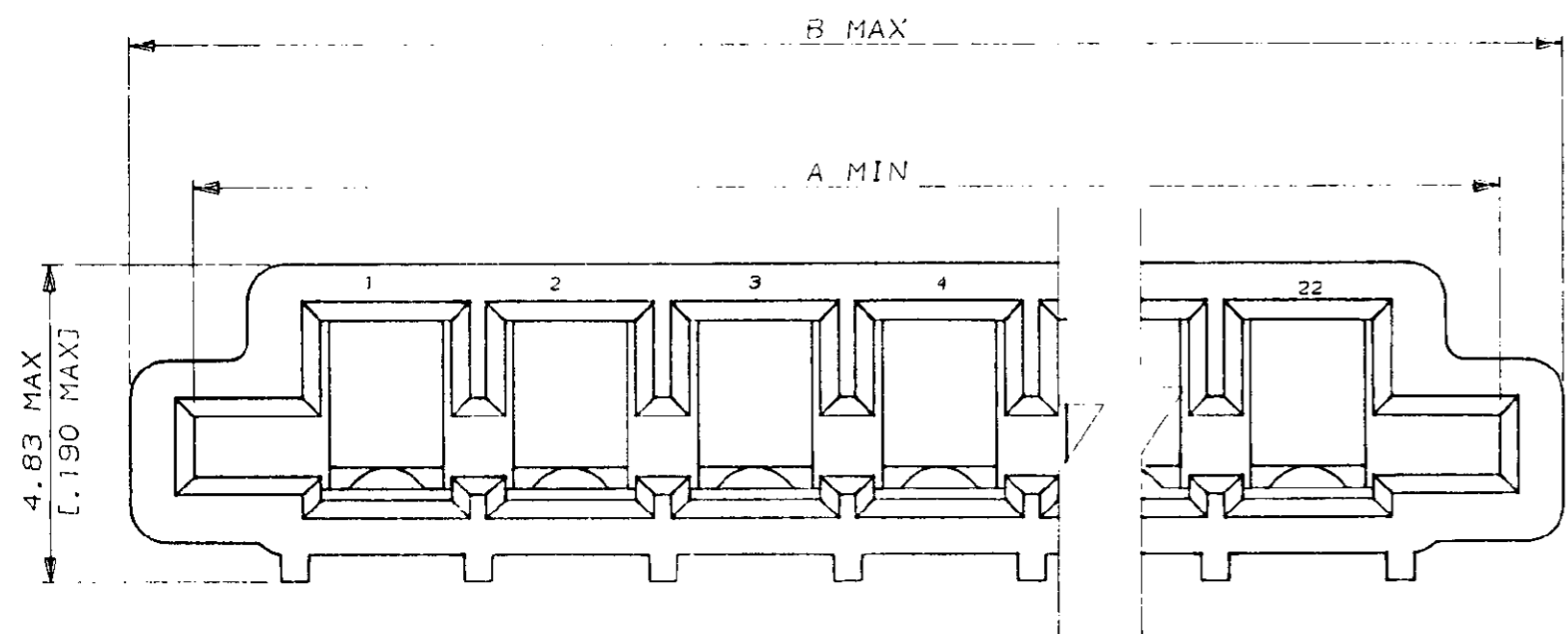
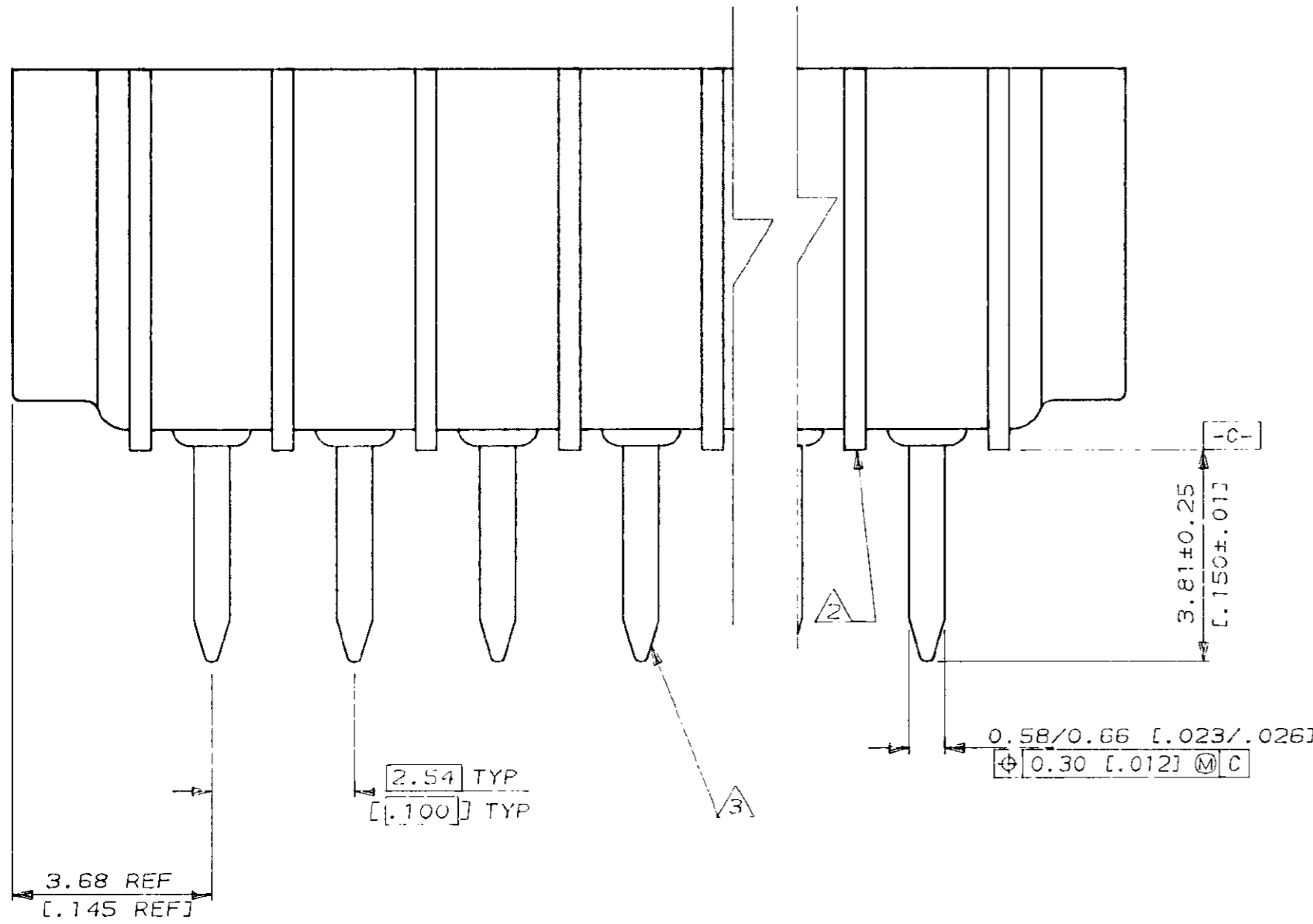


520355
METRIC
3rd ANGLE PROJECTION



NOTES

- 1 CONNECTOR WILL ACCEPT FLEXIBLE PRINTED CIRCUIT OR FLAT FLEXIBLE CABLE ON 2.54 [1.00] CENTERS IN A THICKNESS RANGE OF 0.127 TO 0.381 [0.005 TO .015] IN CONTACT AREA
- 2 STAND-OFFS PREVENT SOLVENT ENTRAPMENT
- 3 LEAD-IN ON PINS FOR EASE OF INSERTION INTO BOARD
- 4 SEQUENTIAL CONTACTS REDUCE CABLE INSERTION FORCE
- 5 ACCEPTS CABLE OR CIRCUITRY WITH EXPOSED CONDUCTORS FACING TOWARD OR AWAY FROM THE BOARD SURFACE
- 6 REFER TO APPLICATION SPEC 114-2062
- 7 MATERIAL
HOUSING : GLASS REINFORCED POLYESTER THERMOPLASTIC UL 94 VO RATED, BLACK
CONTACT : PHOS BRONZE WITH MATTE TIN FINISH
- 8 OBSOLETE PARTS: OBSOLETE CIS STREAMLINING PER D.RENAUD/D.SINISI



		LEAD FREE				SUPERSEDED	
8	8	PART NO	B	A	POS	PART NO	
8	8	7-520355-2	60.78 [2.393]	58.57 [2.306]	22	2-520355-2	
8	8	7-520355-1	58.24 [2.293]	56.03 [2.206]	21	2-520355-1	
8	8	7-520355-0	55.70 [2.193]	53.49 [2.106]	20	2-520355-0	
8	8	6-520355-9	53.16 [2.093]	50.95 [2.006]	19	1-520355-9	
8	8	6-520355-8	50.62 [1.993]	48.41 [1.906]	18	1-520355-8	
8	8	6-520355-7	48.08 [1.893]	45.87 [1.806]	17	1-520355-7	
8	8	6-520355-6	45.54 [1.793]	43.33 [1.706]	16	1-520355-6	
8	8	6-520355-5	43.00 [1.693]	40.79 [1.606]	15	1-520355-5	
8	8	6-520355-4	40.46 [1.593]	38.25 [1.506]	14	1-520355-4	
8	8	6-520355-3	37.92 [1.493]	35.71 [1.406]	13	1-520355-3	
8	8	6-520355-2	35.38 [1.393]	33.17 [1.306]	12	1-520355-2	
8	8	6-520355-1	32.84 [1.293]	30.63 [1.206]	11	1-520355-1	
8	8	6-520355-0	30.30 [1.193]	28.09 [1.106]	10	1-520355-0	
8	8	5-520355-9	27.76 [1.093]	25.55 [1.006]	9	520355-9	
8	8	5-520355-8	25.22 [.993]	23.01 [.906]	8	520355-8	
8	8	5-520355-7	22.68 [.893]	20.47 [.806]	7	520355-7	
8	8	5-520355-6	20.14 [.793]	17.93 [.706]	6	520355-6	
8	8	5-520355-5	17.60 [.693]	15.39 [.606]	5	520355-5	
8	8	5-520355-4	15.06 [.593]	12.85 [.506]	4	520355-4	
8	8	5-520355-3	12.52 [.493]	10.31 [.406]	3	520355-3	
8	8	5-520355-2	9.98 [.393]	7.77 [.306]	2	520355-2	

Copyright ©1993		Copyright ©1993 AMP MFG (S) PTE LTD. ALL RIGHTS RESERVED.		AMP AMP MANUFACTURING (S) PRIVATE LIMITED	
L2	REVISED PER ECO-09-026346	KK	AEG	2000/09	
L1	REVISED ECR-06-004332	PM	KS	21FEB06	
L	REVISED FR00-0011-04	SD	PCH	19FEB04	
K	REDRAWN BY/EC/0799	LWY	SL	30.7.93	
LTR	(REVISION RECORD)	DR	CHK	DATE	CHK.

(WIRE RANGE)	(INSULATION DIA.)	(NAME)
mm² (AWG -)	mm	TRIO-MATE
(MATERIAL)	(FINISH) CONTACTS	VERTICAL CABLE ENTRY
	MATTE TIN/LEAD PLATED	FOR 2.36[.093] THK P.C. BOARD
(GENERAL TOLERANCE)	SIZE	LOC
±0.38	A2	DY
[±.015]	(SCALE)	REV.
10:1	L2	SHEET
		1 OF 1

(CUSTOMER DRAWING)

单击下面可查看定价，库存，交付和生命周期等信息

[>>TE Connectivity\(泰科\)](#)