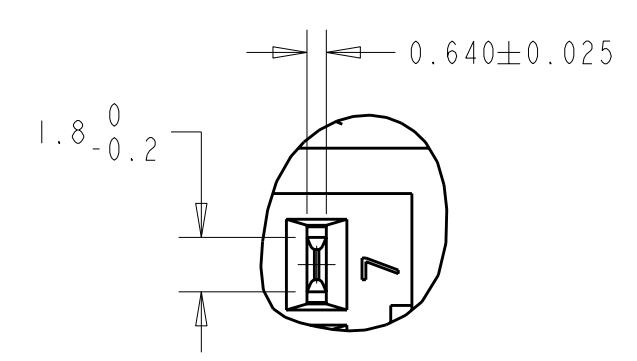
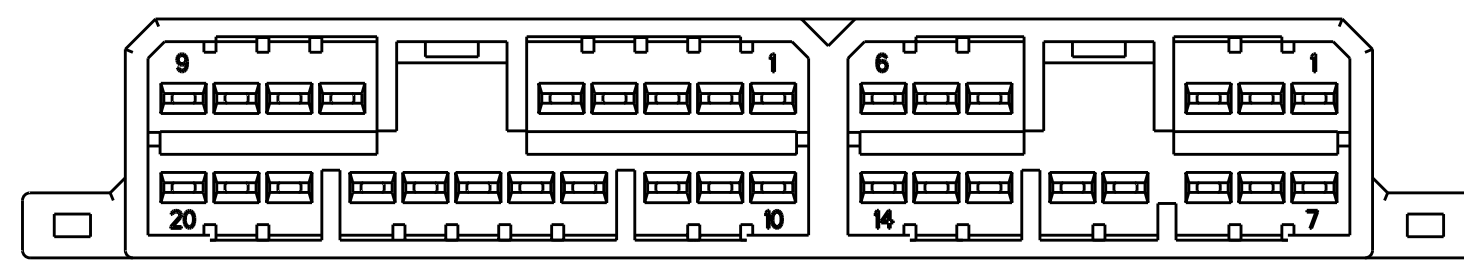
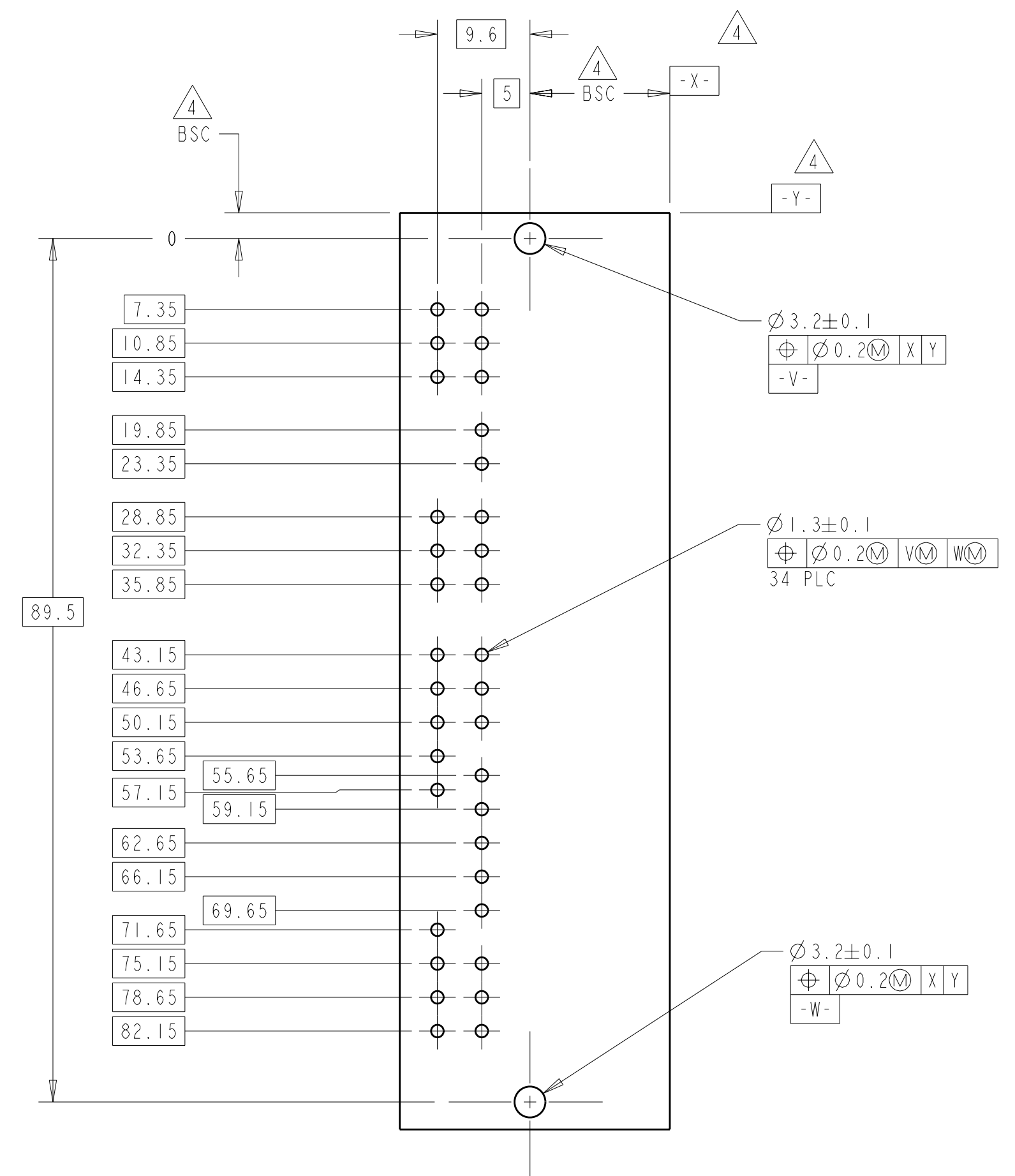
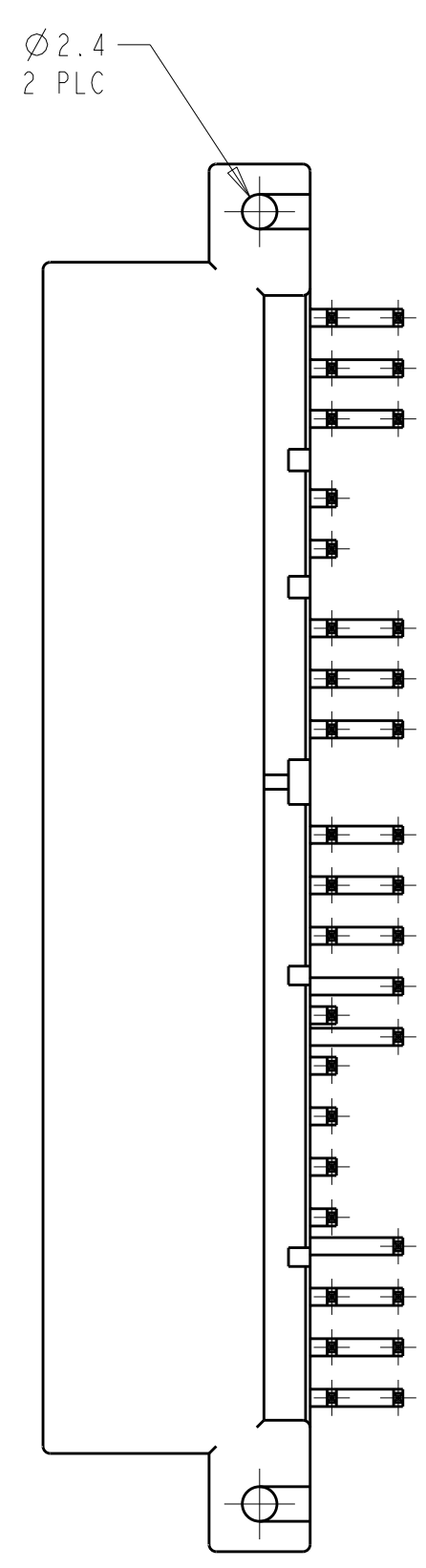
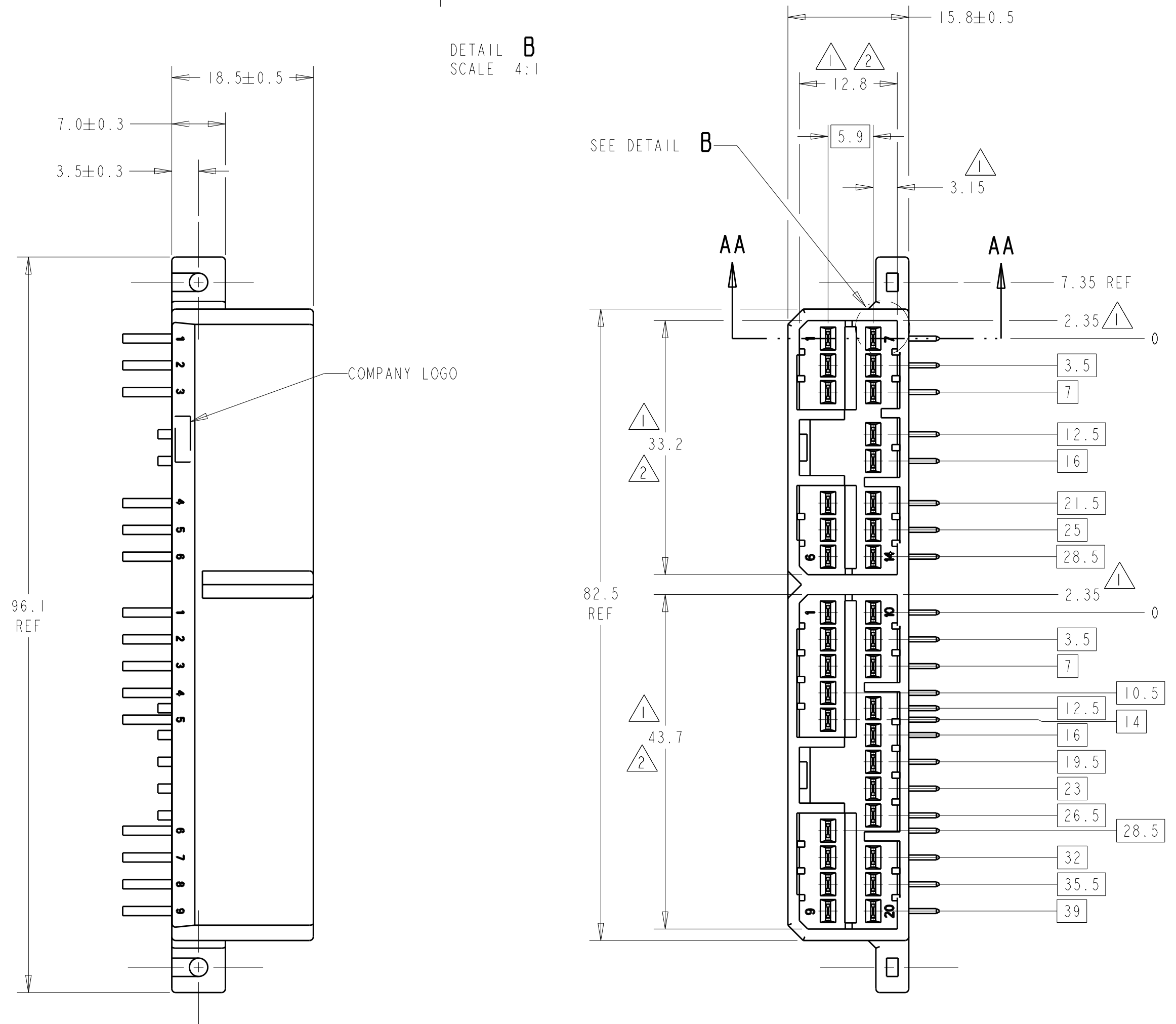


LOC	DIST	REV	DATE	BY	CHK	APPD
FX	00					
C		REV PER EC 0K80-0373-02	31DEC2002	RGV	SSA	
C1		REV PER EC 0K80-0139-03	19MAY2003	DJA	SSA	
C2		REV PER ECR-10-008554	21APR2010	VSS	SA	

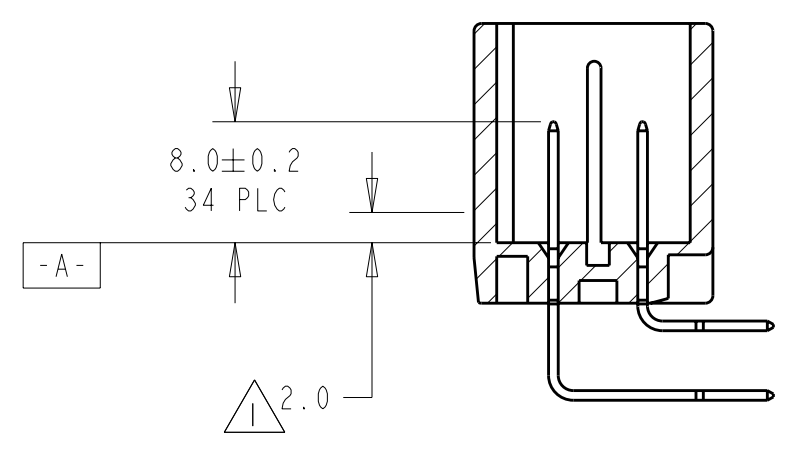
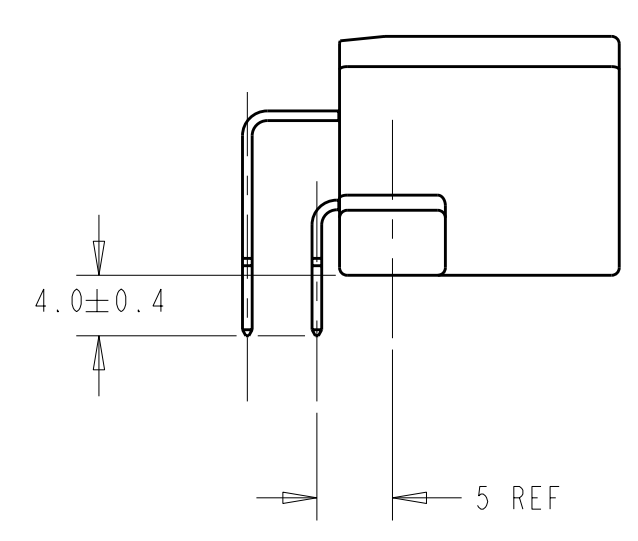
1. DIMENSION MUST BE HELD BETWEEN $-A-$ AND 2.0mm FROM $-A-$.
2. TO MATE WITH PLUG HOUSING SMOOTHLY.
3. USE M3x6 TAPPING SCREW JIS B1115 OR 1122 (TYPE 2 OR 4) BEFORE SOLDER. RECOMMENDED TORQUE: 0.39Nm MAX.
4. DATUMS AND BASIC DIMENSIONS ESTABLISHED BY CUSTOMER.
5. MATING PLUG PART NUMBERS ARE:
173852 (14 POSITION)
174952 (20 POSITION)
6. CIRCUIT NUMBERS:



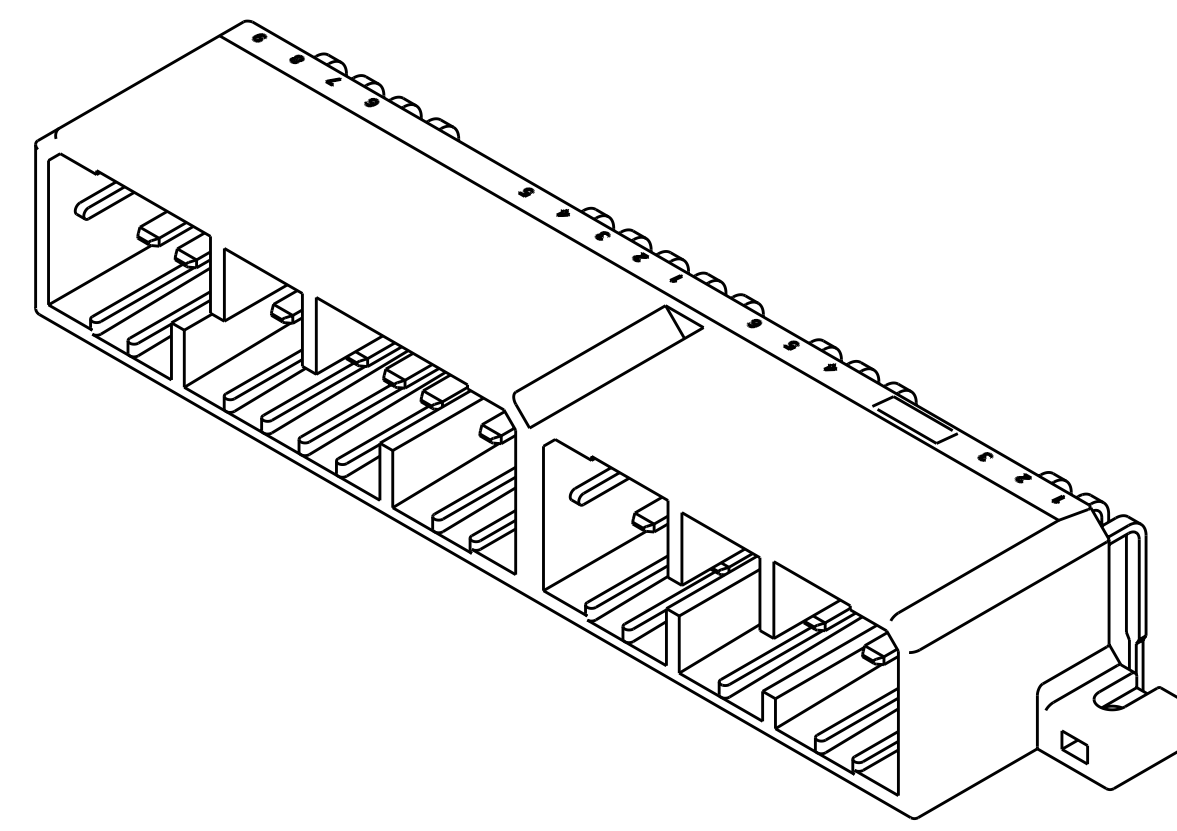
DETAIL B
SCALE 4:1



P.C. BOARD LAYOUT
 RECOMMENDED BOARD THICKNESS 1.60±0.15mm
 TOLERANCES ±0.1



SECTION AA-AA



MATERIAL	FINISH	MATERIAL	COLOR	PART NO
BRASS	POST-TIN	PBT	WHITE	9-1438309-1
CONTACT				HOUSING
DWN R. VESTAL 07NOV2001		Tyco Electronics Tyco Electronics Harrisburg, PA 17105-3608		
CHK S. ASHLEY 07NOV2001		NAME 34 POSITION CAP HOUSING ASSEMBLY, .070 SERIES, HORIZONTAL, MULTILOCK I/O CONNECTOR		
APVD S. ASHLEY 07NOV2001		PRODUCT SPEC 108-5216		
APPLICATION SPEC		SIZE CAGE CODE DRAWING NO RESTRICTED TO		
114-5091		A 00779 C=1438309		
WEIGHT		SCALE 2:1 SHEET 1 OF 1 REV C2		
CUSTOMER DRAWING				

单击下面可查看定价，库存，交付和生命周期等信息

[>>TE Connectivity\(泰科\)](#)