

THIS DRAWING IS UNPUBLISHED.

RELEASED FOR PUBLICATION

ALL RIGHTS RESERVED.

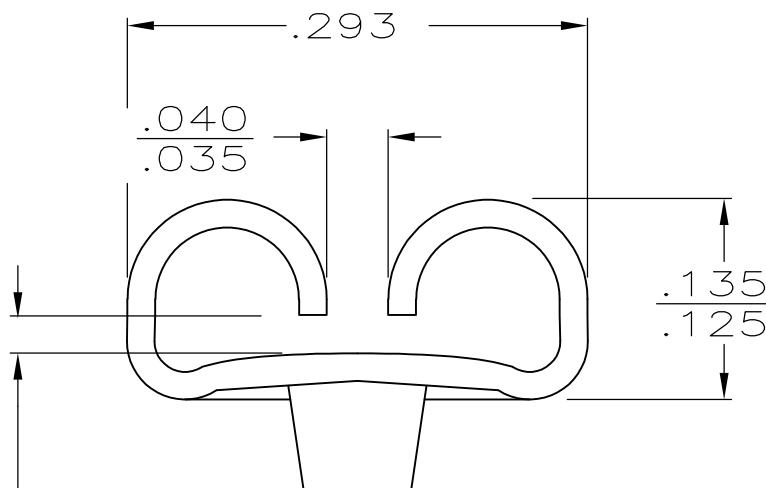
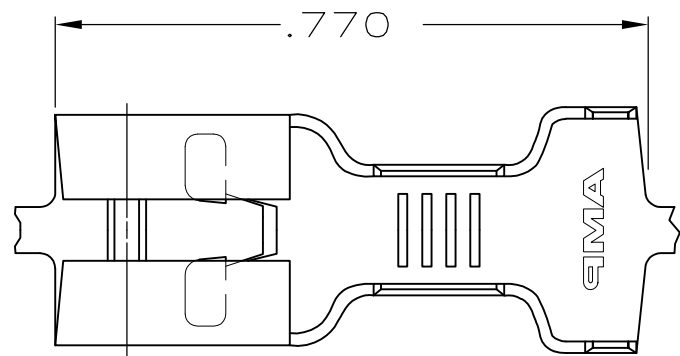
© COPYRIGHT - By -

LOC AF DIST 50

REVISIONS

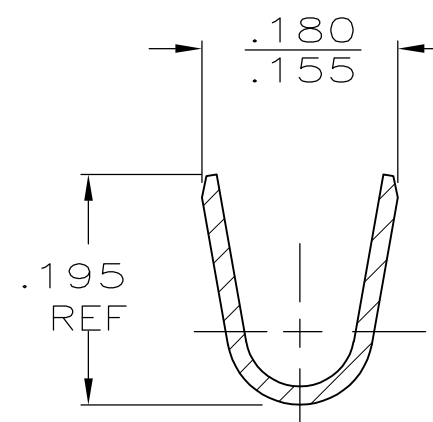
P	LTR	DESCRIPTION	DATE	DWN	APVD
	C	REVISED PER ECR-13-005733	26AUG2013	KH	PD

1 CONTINUOUS STRIP ON REELS.

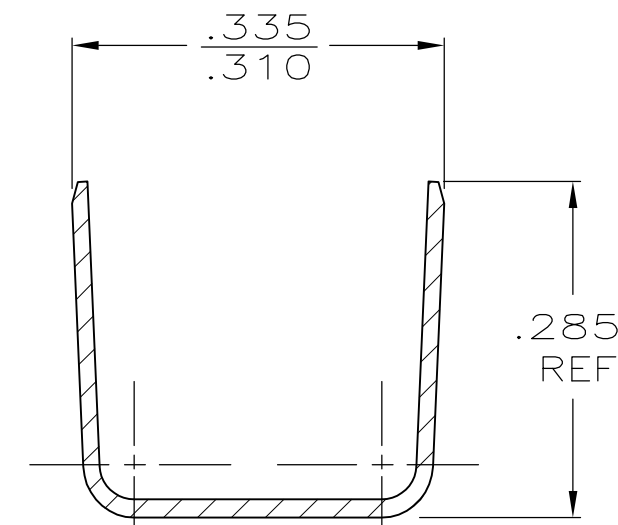


FITS .250 SERIES FASTON TAB

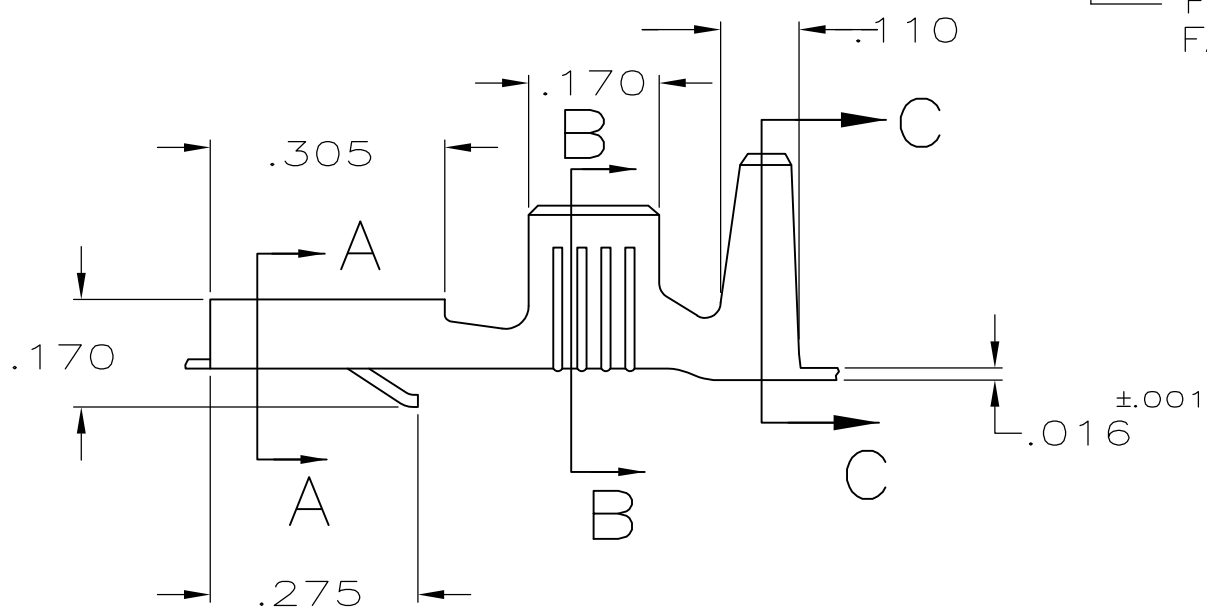
SECTION A-A




SECTION B-B



SECTION C-C



.140 (2) MAX	14-10 OR 2 #14	63467-1
INSULATION RANGE	WIRE SIZE	PART NO.

THIS DRAWING IS A CONTROLLED DOCUMENT.		DWN JR RUTH 5/7/87	 TE Connectivity RECEPTACLE, FASTON-FASTON, .250 SERIES	
DIMENSIONS: INCHES		CHK G YETTER 5/14/87		
TOLERANCES UNLESS OTHERWISE SPECIFIED:		APVD J GILLESPIE 5/14/87		
0 PLC ± - 1 PLC ± - 2 PLC ± - 3 PLC ± .010 4 PLC ± - ANGLES ± -		NAME		
MATERIAL BRASS		FINISH TIN	PRODUCT SPEC	SIZE
			APPLICATION SPEC	CAGE CODE
			WEIGHT -	DRAWING NO
			CUSTOMER DRAWING	RESTRICTED TO
				SCALE NTS
				SHEET 1 OF 1
				REV C

单击下面可查看定价，库存，交付和生命周期等信息

[>>TE Connectivity\(泰科\)](#)