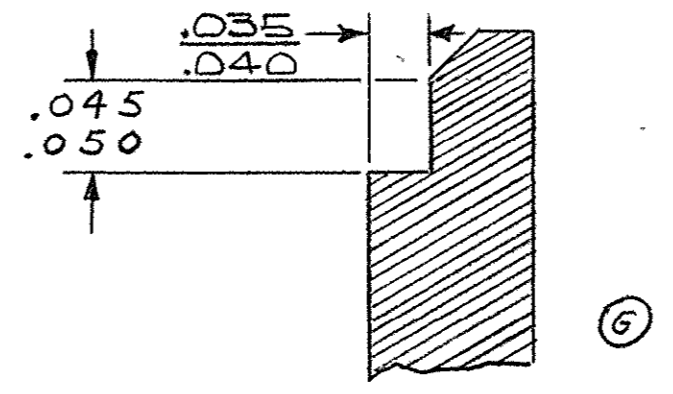
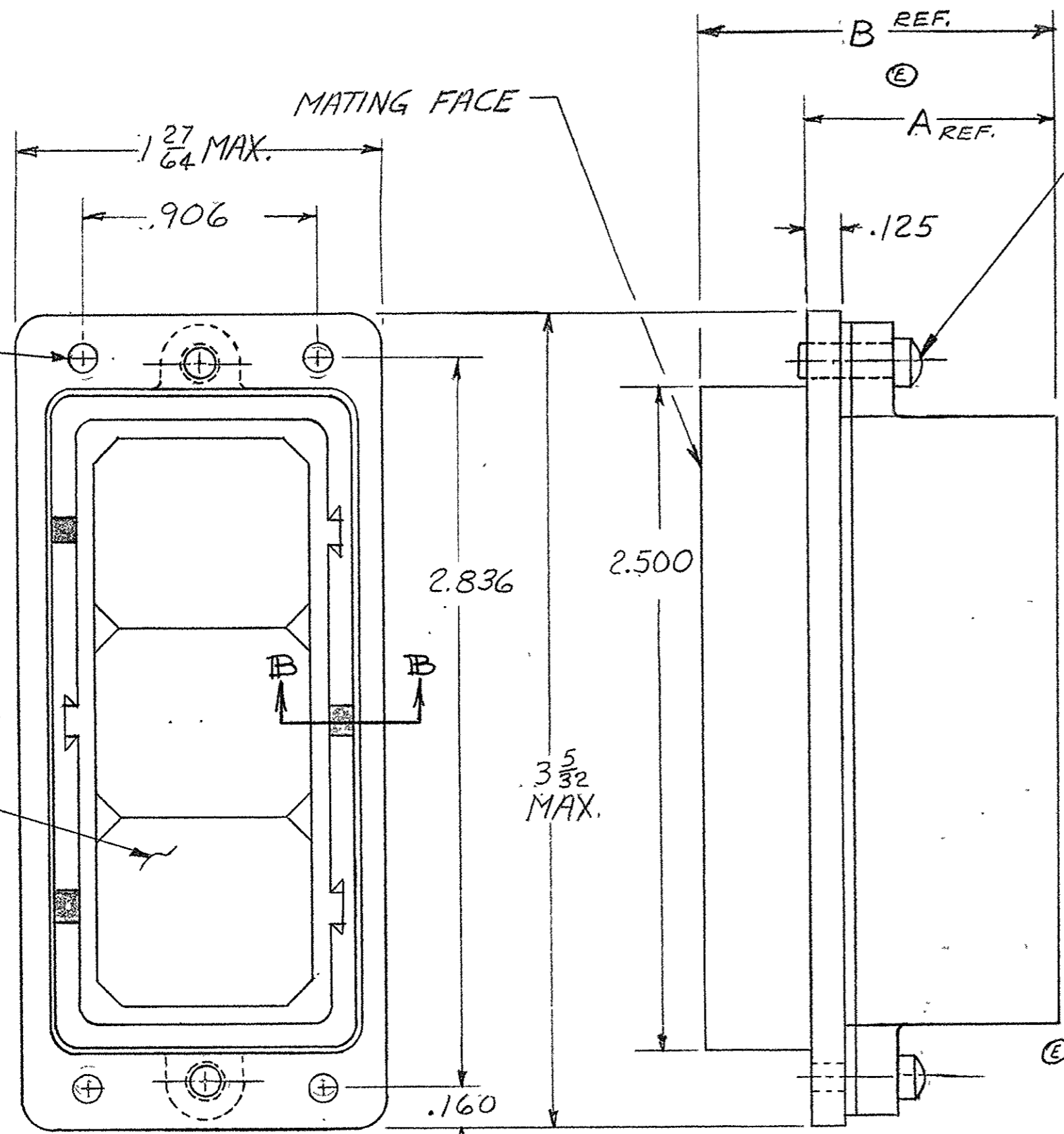


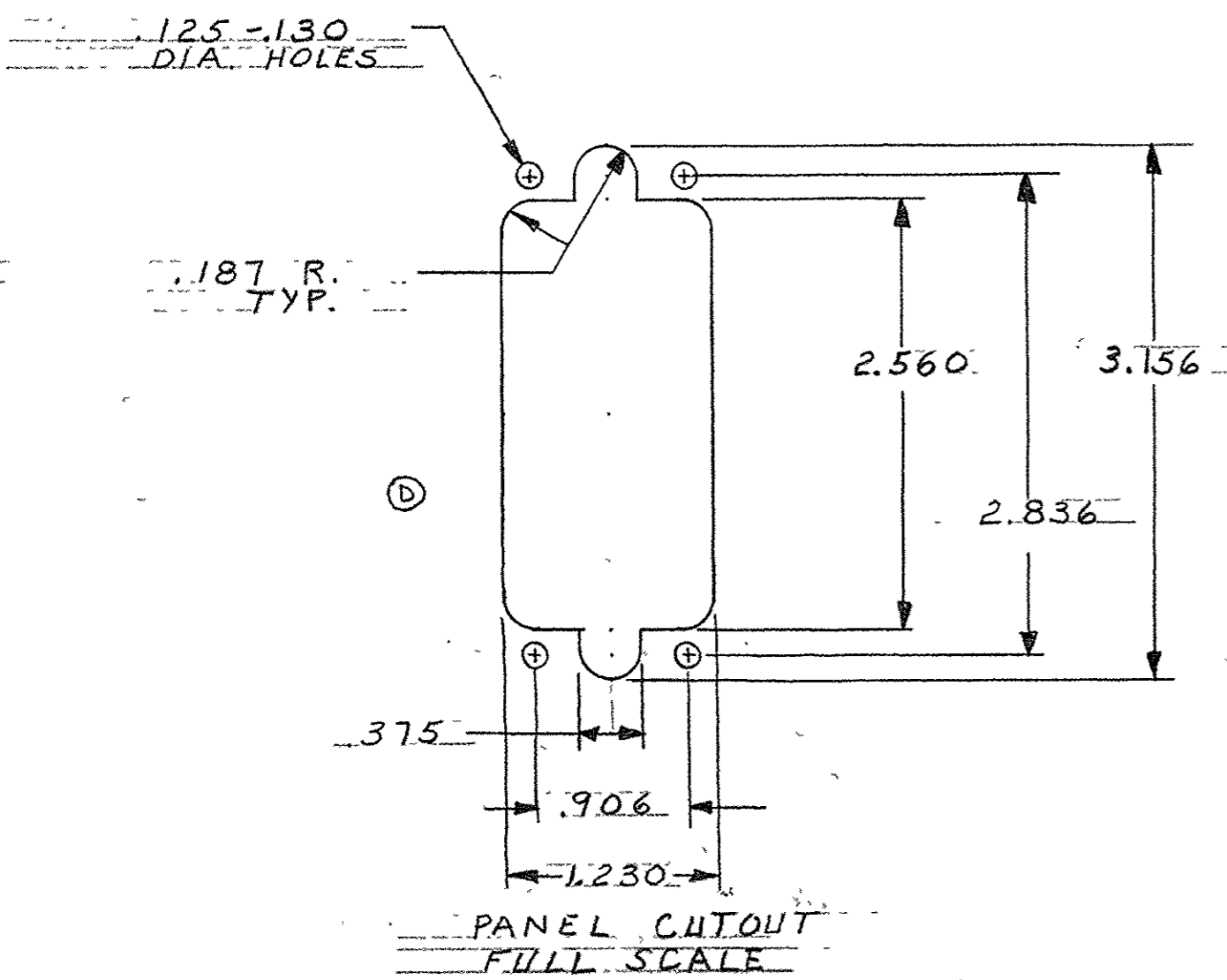
© 1963 BY AMP INCORPORATED. ALL RIGHTS RESERVED. AMP PRODUCTS COVERED BY PATENTS AND/OR PATENTS PENDING.

REVISIONS				
SYM	ZONE	DESCRIPTION	DATE	APPROVAL
N		REV PER ECO-09-021304	PY 10-09	DE

NUMBER 202287



ASSY. NO	A	B	FINISH
202287-1 SUPERSEDED BY 5--1	1.001	1.509	ZINC PLATE PER ASTM-B-639 TYPE II CLASS 3 COLORLESS SUPPLEMENTARY CHROMATE
202287-2	1.001	1.509	OLIVE DRAB ZINC PLATE PER ASTM-B-639 CLASS 3 TYPE II
202287-3 SUPERSEDED BY 5--3	1.001	1.509	FINISH SAME AS -1
202287-4 SUPERSEDED BY 5--4	.595	1.103	FINISH SAME AS -1
5-202287-1	1.001	1.509	FINISH: PLATED ELECTROLESS NICKEL PER SAE-AMS-C-2607A .000400-.000800 THK (NO INTENTIONAL ADDITIONS OF LEAD OR CHROMIUM PER DFE STD 230-700)
5-202287-3	1.001	1.509	FINISH: PLATED ELECTROLESS NICKEL PER SAE-AMS-C-2607A .000400-.000800 THK (NO INTENTIONAL ADDITIONS OF LEAD OR CHROMIUM PER DFE STD 230-700)
5-202287-4	.595	1.103	FINISH: PLATED ELECTROLESS NICKEL PER SAE-AMS-C-2607A .000400-.000800 THK (NO INTENTIONAL ADDITIONS OF LEAD OR CHROMIUM PER DFE STD 230-700)



AMP INFO		QTY REQD	NOMENCLATURE OR DESCRIPTION	PART OR IDENTIFYING NO
LOC	PRINT DIST			
DF	M	30		
LIST OF MATERIALS OR PARTS LIST				
UNLESS OTHERWISE SPECIFIED DIMENSIONS ARE IN INCHES		SIGNATURE		DATE
FRACTIONS	DECIMALS	DR <i>D. Miller</i>		2-25-63
± 1/64	± .015	CHK <i>J. Kaufman</i>		4-12-63
ANGLES ± #		DSGN ENGR <i>J. Willyshaw</i>		3-1-63
MATERIAL		APPD <i>B. Curcio</i>		5/13/63
SHELL-DIE CAST ALUMINUM		DSGN APPD		
HEAT TREAT		OTHER APPD		
FINISH		CODE IDENT NO		SIZE
SEE TABLE		00779		C
		NUMBER		REV
		202287		N
SCALE 2-1		WT	CALC	ACTUAL
				SHEET 1 OF 1

AMP AMP INCORPORATED
HARRISBURG, PENNSYLVANIA

RECEPTACLE ASSEMBLY, MODULE
SERIES "G"

CUSTOMER DRAWING

单击下面可查看定价，库存，交付和生命周期等信息

[>>TE Connectivity\(泰科\)](#)